



产品编号 : [643181011](#)

Product Description : .635mm, 1.50mm, 2.80mm, Power CMC Receptacle, 28 Circuits, Left Wire Output, Black Coding, Mat Sealed

系列号 : 64318

状态 : Active

Product Category : Connector Housings



文件和资源

图纸

[图纸 643181011_sd.pdf](#)

3D 模型和设计文件

[3D模型 643181011_stp.zip](#)

规格

[应用规格 AS-64318-002-001.pdf](#)

[应用规格 AS-64318-002-CH-001.pdf](#)

[应用规格 AS-64318-002-SP-001.pdf](#)

[应用规格 AS-98420-001-001.pdf](#)

[应用规格 AS-98420-001-CH-001.pdf](#)

[应用规格 AS-98420-001-SP-001.pdf](#)


[应用规格 AS-64318-002-FR-001.pdf](#)

[应用规格 AS-98420-001-FR-001.pdf](#)

[产品规格 PS-64321-001-001.pdf](#)

产物环境合规

合规

| | |
|--------------------|---|
| GADSL/IMDS | Compliant |
| China RoHS |  |
| EU ELV | Compliant per 2000/53/EC |
| Low-Halogen Status | Low-Halogen per IEC 61249-2-21 |
| REACH SVHC | Not Contained per D(2023)3788-DC (14 Jun 2023) |
| EU RoHS | Compliant per EU 2015/863 |

[多部分产品合规性声明](#)

- Eu RoHS

- REACH SVHC

- Low-Halogen

多部分行业合规性文件

- IPC 1752A Class C

- IPC 1752A Class D

- Molex Product Compliance Declaration

- IEC-62474

- chemSHERPA (xml)

欧盟 RoHS 合格证书

产品详情

常规

| | |
|----------|---|
| 状态 | 活动 |
| 类别 | Connector Housings |
| 系列 | 64318 |
| 说明 | .635mm, 1.50mm, 2.80mm, Power CMC Receptacle, 28 Circuits, Left Wire Output, Black Coding, Mat Sealed |
| 应用 | Automotive, Power, Wire-to-Board |
| 个评论 | Current tested on a fully loaded connector, current for temperature increase of 40° C; Current max = 21.0A for 2.80mm Terminal (5.00mm ² wire), 12.0A for 1.50mm Terminal (2.00mm ² wire), 2.5A for 0.635mm Terminal (0.75mm ² wire) |
| 更详细的技术信息 | Sealed, high-density, power, modular connecting system for Power Train and Body Electronics applications in cars, trucks, busses |
| 产品系列 | CMC and CMX Sealed, Hybrid, Modular Connectors |
| 产品名称 | CMC |
| UPC | 883906135102 |

电气

| | |
|---------|--------------------|
| 每触点最大电流 | 12.0A, 2.5A, 21.0A |
|---------|--------------------|

物理

| | |
|-----------|---|
| 电路详图 | 5x 2.8mm, 5 x 1.5mm, 18 x 0.635mm terminals |
| 电路数 (最多) | 28 |
| 颜色-树脂 | 黑色 |
| 性别 | Receptacle |
| 符合灼热丝规范 | 否 |
| 插接极性 | 是 |
| 锁定插接部位 | 是 |
| 材料 - 树脂 | Polyester |
| 净重 | 35.290/g |
| 行数 | 3 |
| 包装形式 | Carton |
| 面板安装式 | 否 |
| 间距 - 插配接口 | 2.54mm, 3.50mm, 6.75mm |
| 有极性的插配件 | 是 |
| 可堆叠的 | 否 |
| 运行温度范围 | -40° to +125° C |

进程

| | |
|----|-----|
| 无铅 | 不适用 |
|----|-----|

可配插/可连接使用的产品

可配插部件

| 描述 | 产品编号 |
|-------------------------|--------------|
| CMC Right-Angle Headers | <u>47745</u> |

可连接使用部件

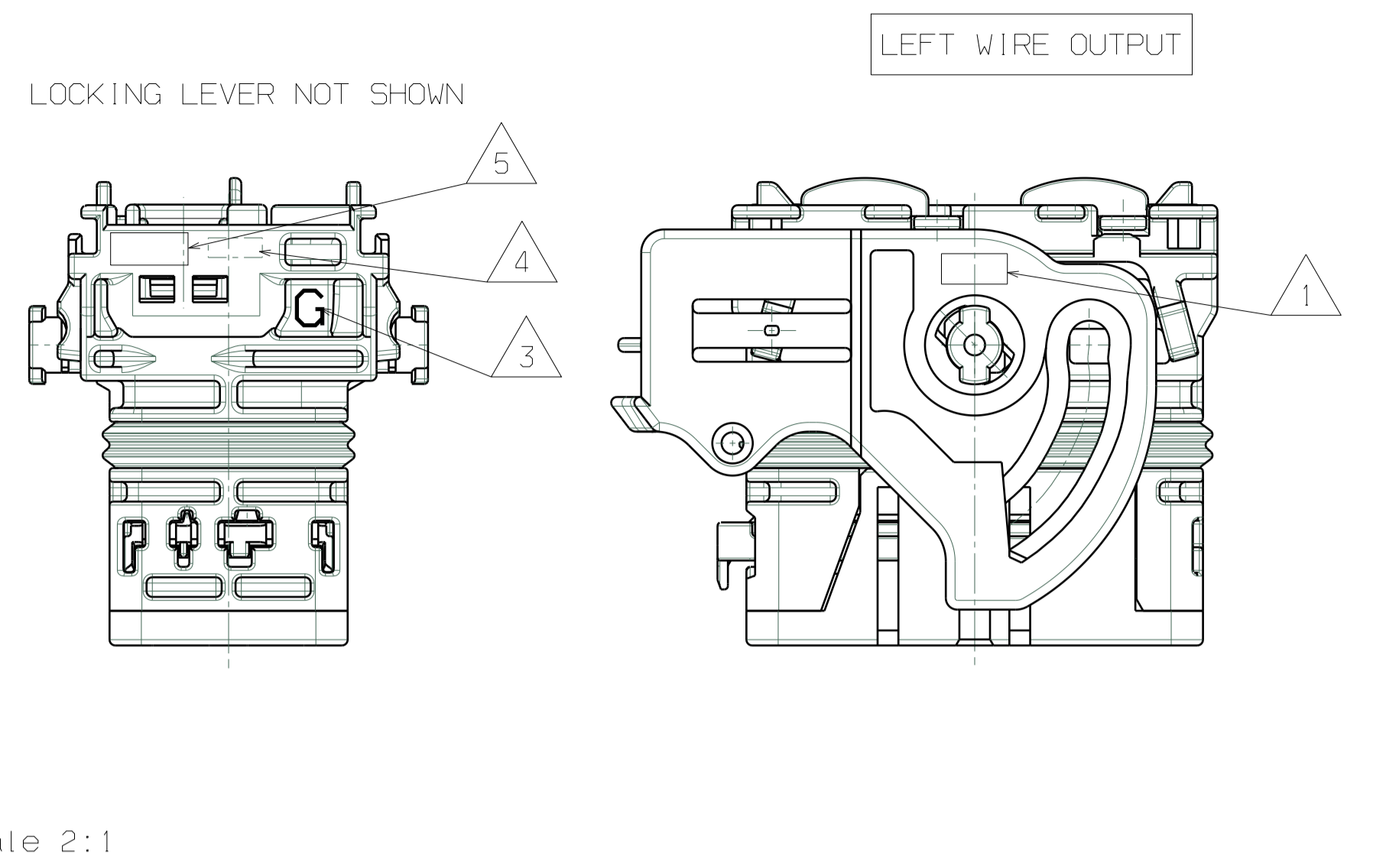
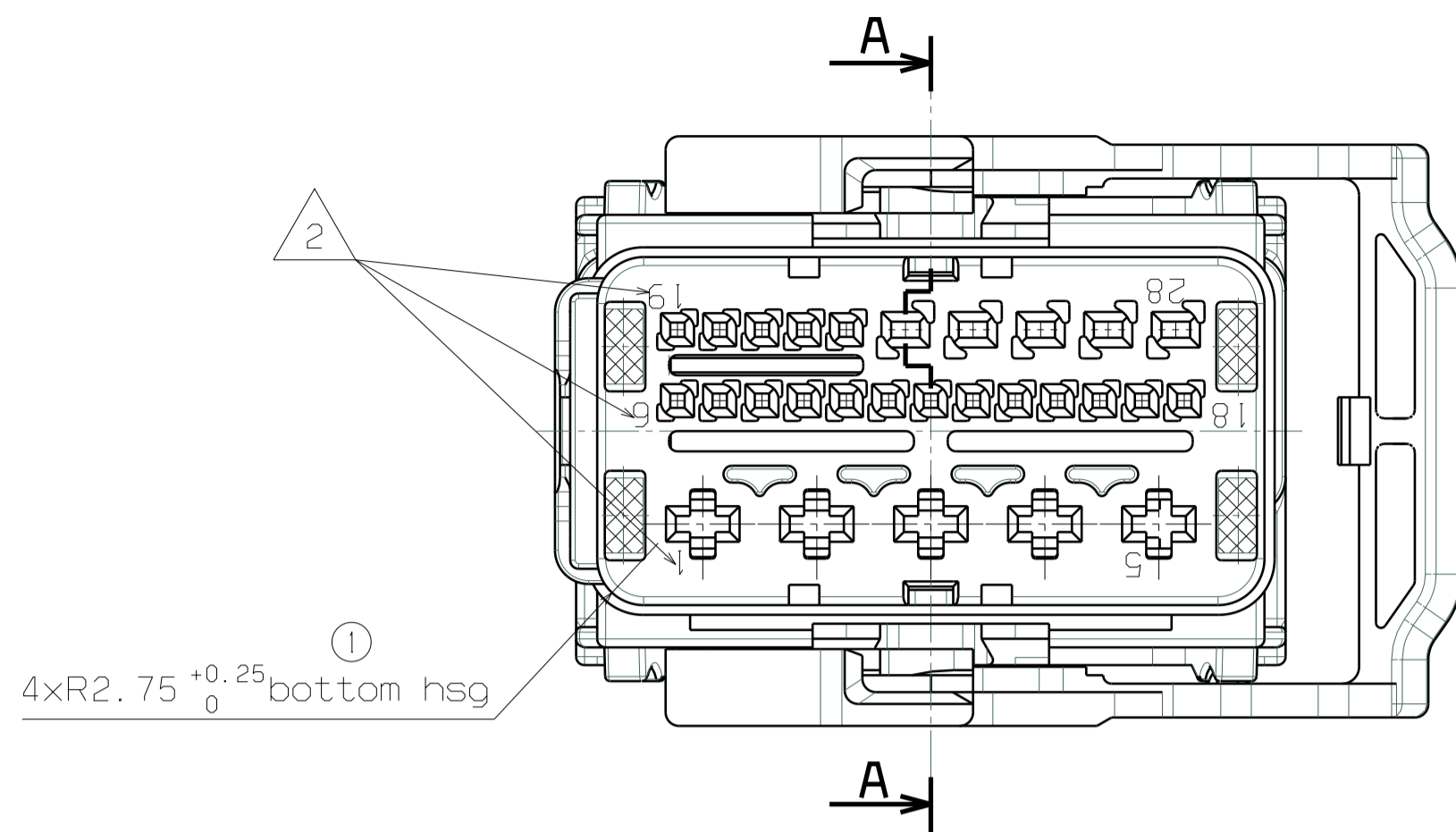
| 描述 | 产品编号 |
|---|--|
| CMC Wire Cap for 48 Circuits and 28 Circuits, CMC Receptacle Mat Sealed | <u>/content/molex/molex-dot-com/cn/zh/products/product-page.html/643201301.html</u> |
| CMC 0.635mm Blind Cavity Plug | <u>/content/molex/molex-dot-com/cn/zh/products/product-page.html/643251010.html</u> |

| | |
|--------------------------------|---|
| CMC 1.50mm Blind Cavity Plug | /content/molex/molex-dot-com/cn/zh/products/product-page.html/643251023.html |
| CMC 2.80mm Blind Cavity Plug | /content/molex/molex-dot-com/cn/zh/products/product-page.html/643251091.html |
| CMC CP Female Terminals | <u>64322</u> |
| 1.50mm CMC CP Female Terminals | <u>64323</u> |
| 2.80mm CMC CP Female Terminals | <u>64324</u> |

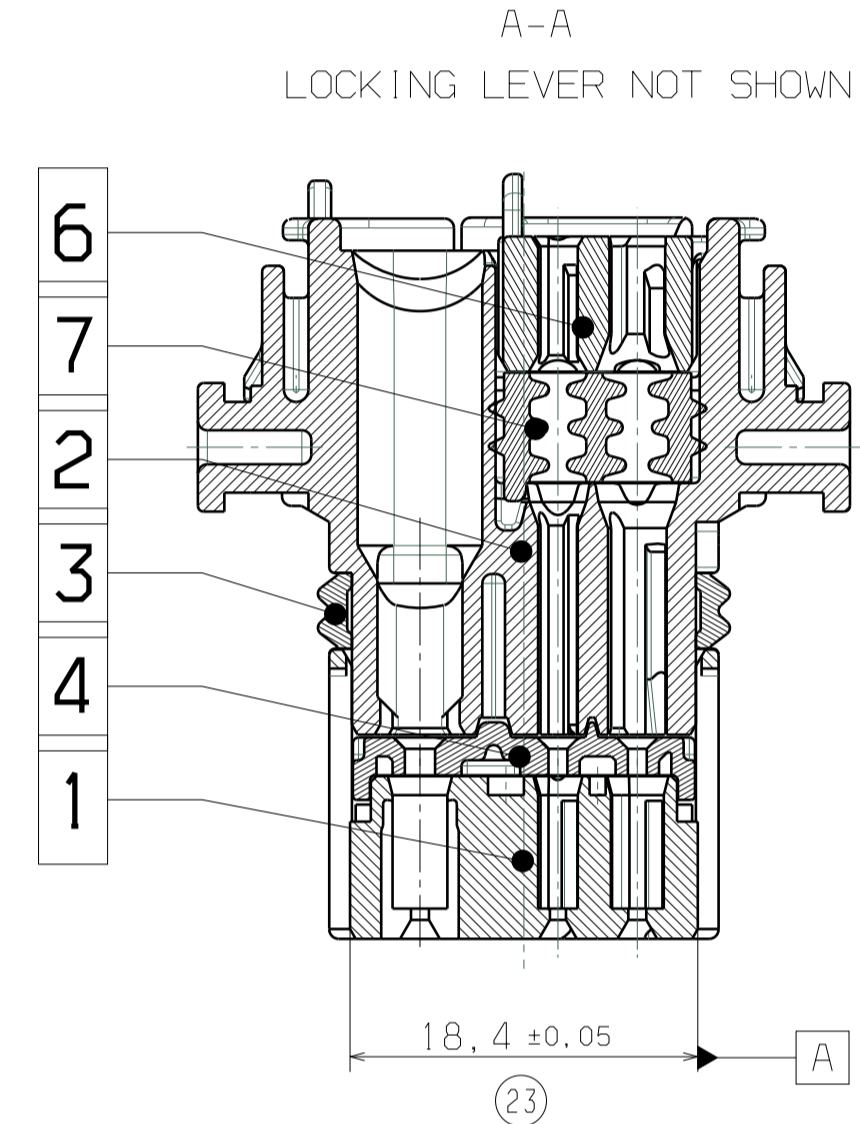
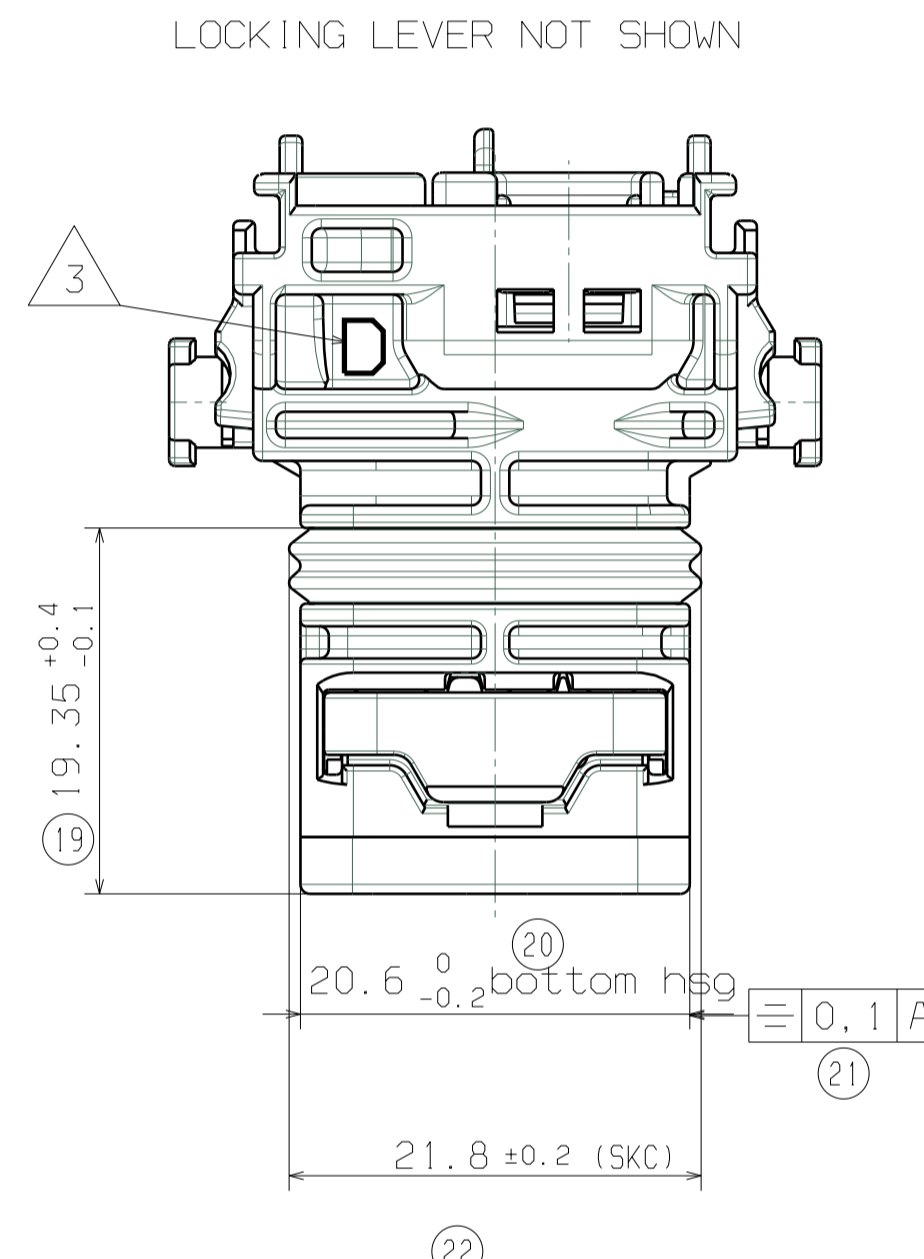
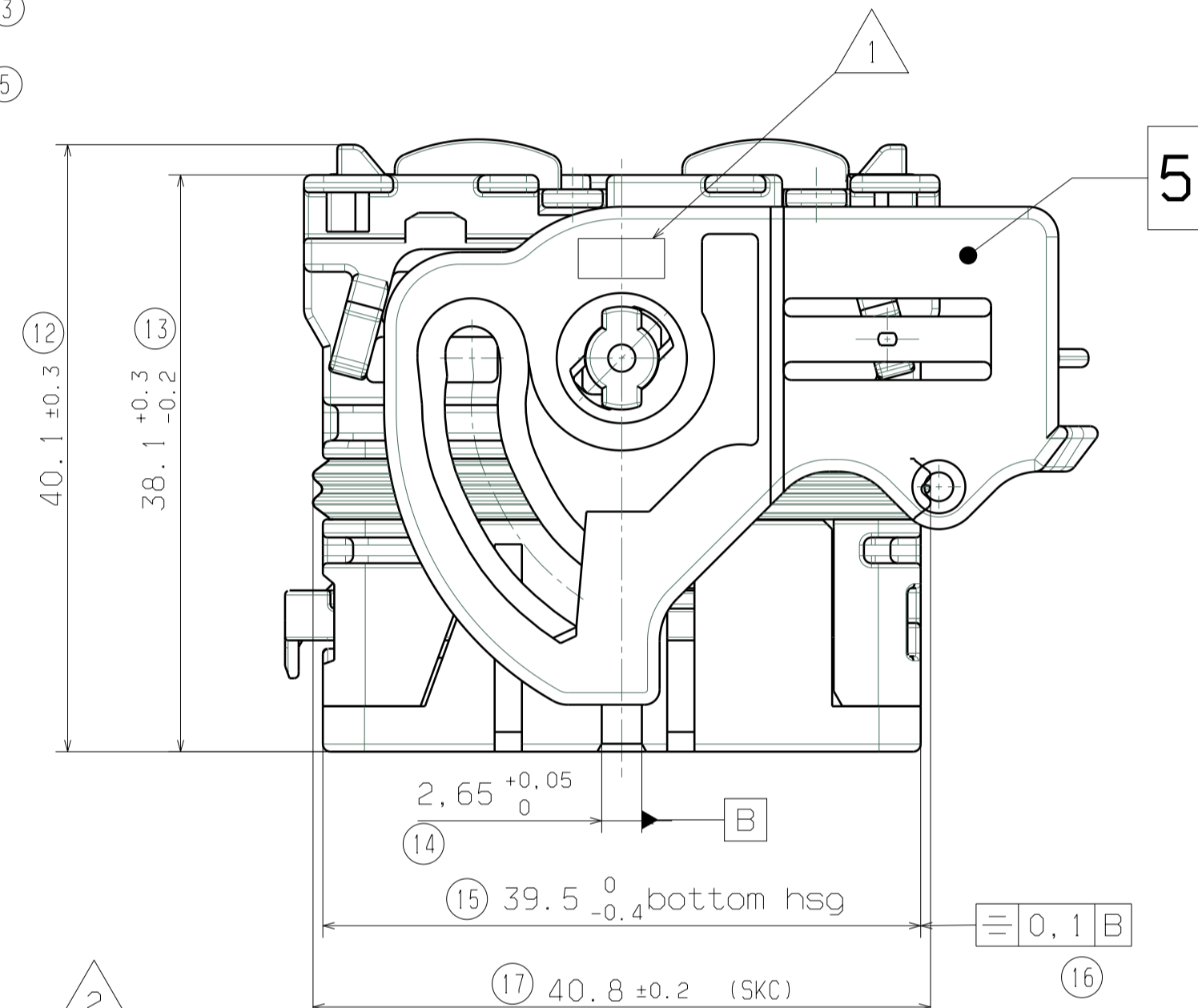
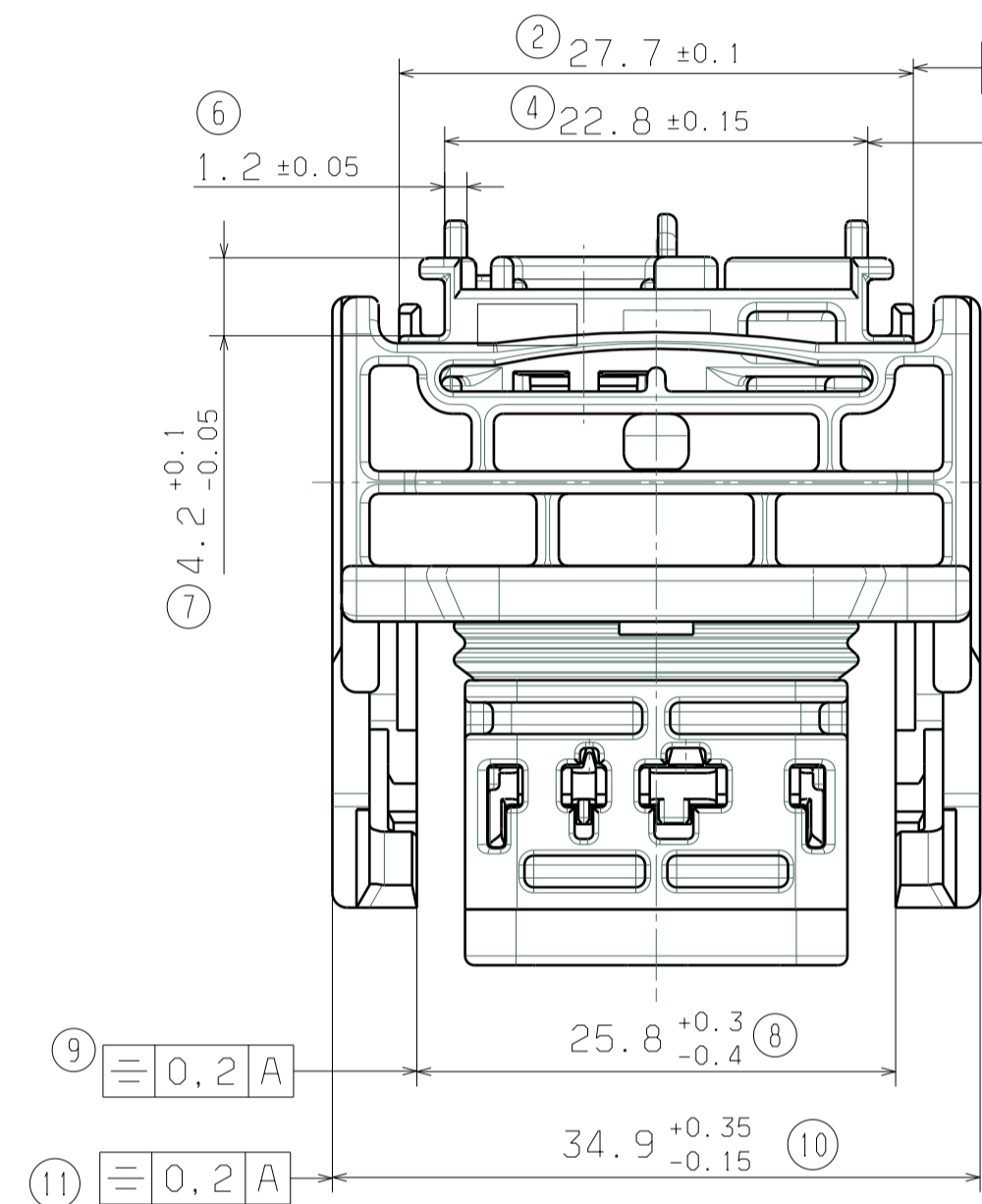
施工工具

全局

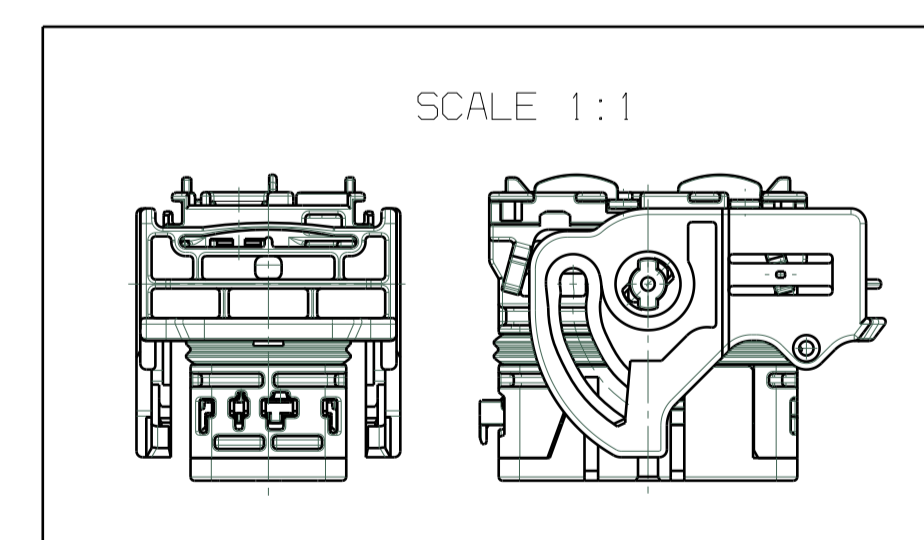
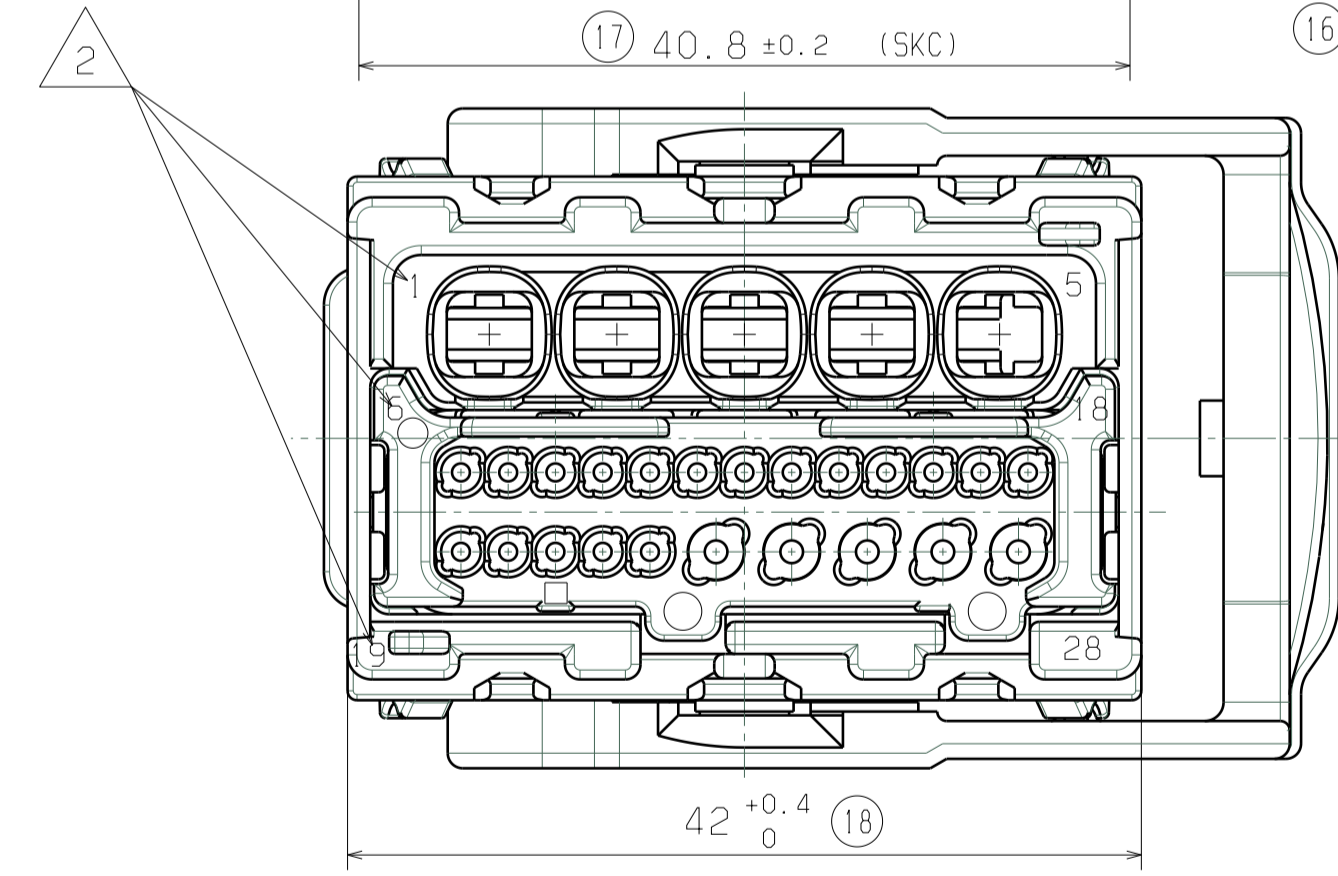
| 描述 | 产品编号 |
|---|-------------------|
| Continuity Test Pen Assembly | <u>0638121100</u> |
| Unlocking Tool for CMC and CMX Receptacle Connector | <u>0638241200</u> |



| LEFT WIRE OUTPUT | |
|------------------|-------|
| MATERIAL NUMBER | COLOR |
| 0643181011 | BLACK |
| 0643181018 | GREY |
| 0643181019 | BROWN |



| RIGHT WIRE OUTPUT | |
|-------------------|-------|
| MATERIAL NUMBER | COLOR |
| 0643183011 | BLACK |
| 0643183018 | GREY |
| 0643183019 | BROWN |



NOTES

1-FOR ILLUSTRATION PURPOSE THE FEMALE HOUSING SHOWN IS THE RIGHT WIRE OUTPUT VERSION CODING 1

2-APPLICATION SPECIFICATION: AS-64318-002

3-THE CONNECTOR FITS WITH WIRE CAP (48WAY) MOLEX P/N 0643201301

4-BLIND PLUG FOR 0.6, 1.5 AND 2.8 CAVITIES (MOLEX P/N 0643251010 0643251023 0643251091) MUST BE USED ON THIS PART

5-DELIVERED PRODUCT WEIGHT: 35.2 g

SKC: SPECIAL KEY CHARACTERISTICS

☒ DENOTES S.P.C DIMENSIONS

⊗ DENOTES CRITICAL DIMENSIONS

● DENOTES FUNCTIONAL DIMENSIONS

QUANTITY PER INDIVIDUAL SHEET

☒ 0 ⊗ 0 ● 0 SKC: 2

| | | | |
|------|------------------------|------------|------------------------|
| 7 | MATT SEAL | SILICONE | GREEN ORANGE |
| 6 | BACK GRID 23 WAY | >PBT-GF20< | GREY |
| 5 | LOCKING LEVER SIZE 3 | >PBT-GF30< | BLACK |
| 4 | SECONDARY LOCK | >PBT-GF20< | YELLOW |
| 3 | PERIPHERAL SEAL SIZE 3 | SILICONE | RED |
| 2 | BACK PART | >PBT-GF20< | BROWN |
| 1 | FRONT PART | >PBT-GF20< | COLOR LINKED TO KEYING |
| REF. | DESIGNATION | MATERIAL | COLOR |

MARKINGS

① Assembled part tracability day + year

② Terminal cavities identification

③ Lever position indicator:
"D" LETTER VISIBLE= part with "LEVER ON THE RIGHT"
"G" LETTER VISIBLE= part with "LEVER ON THE LEFT"

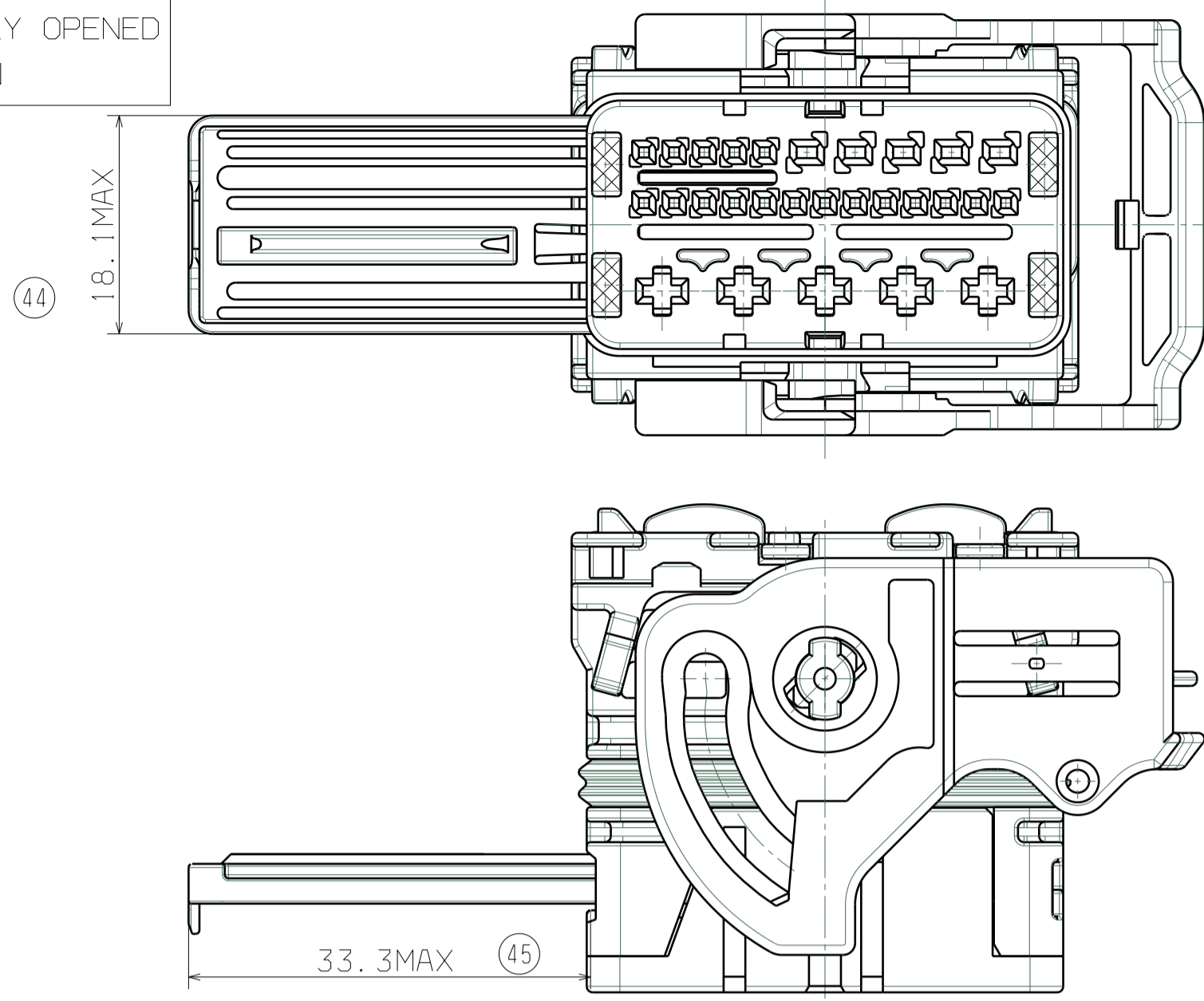
④ Supplier identification

⑤ Material identification

| | | | | | | | | |
|---|-------------------------------|---------------------------------------|-------|--|--|---|--|------------------------|
| WIRE SEAL P/N UPD. EC NO: G2012-0068 DRWN: PBOUJAIN 2010/06/15 CH*KO: OPLESSIS 2011/11/17 APPR: CBOUCHAN 2011/11/17 | QUALITY SYMBOLS ▽=0 ▽=0 | GENERAL TOLERANCES (UNLESS SPECIFIED) | | DIMENSION STYLE MM ONLY | | SCALE 2.5:1 | DESIGN UNITS METRIC | FIRST ANGLE PROJECTION |
| | | 4 PLACES ± | ± | DRAWN BY TBADAROUX | | DATE 2007/09/25 | TITLE CMC CONNECTOR 28 CKT POWER MAT SEAL VERSION | |
| | | 3 PLACES ± | ± | CHECKED BY OPLESSIS | | DATE 2007/09/25 | | |
| | | 2 PLACES ± | 0.1 ± | APPROVED BY CBOUCHAN | | DATE 2007/09/25 | | |
| | | 1 PLACE ± | 0.1 ± | MATERIAL NO. SEE CHART | | DOCUMENT NO. SD-64318-001 | | SHEET NO. 1 OF 2 |
| | | ANGULAR ± 2° | | DRAFT WHERE APPLICABLE MUST REMAIN WITHIN DIMENSIONS | | THIS DRAWING CONTAINS INFORMATION THAT IS PROPRIETARY TO MOLEX INCORPORATED AND SHOULD NOT BE USED WITHOUT WRITTEN PERMISSION | | |

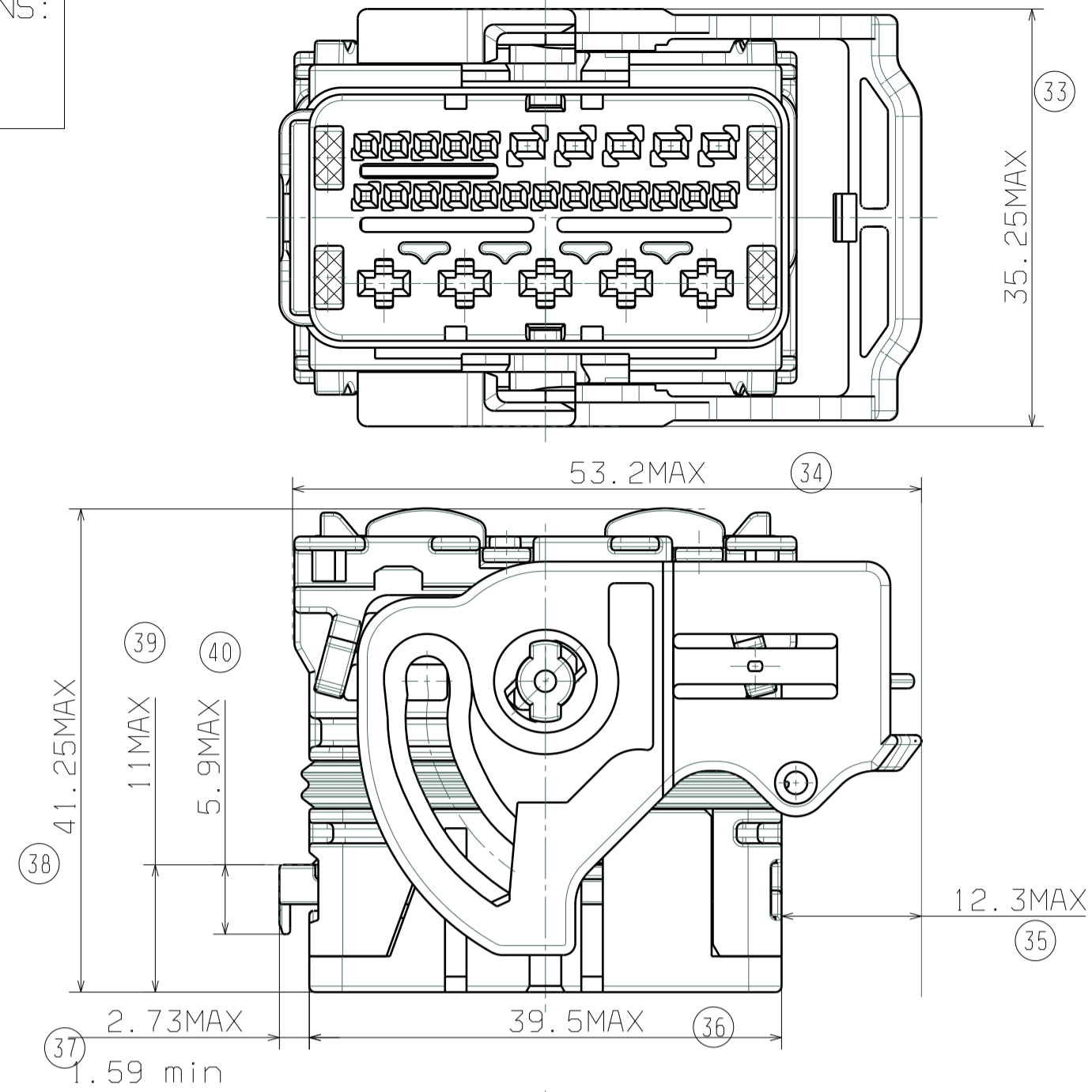
CONNECTOR OVERALL DIMENSIONS:
SECONDARY LOCKING FULLY OPENED
FOR TERMINAL INSERTION

RIGHT WIRE OUTPUT

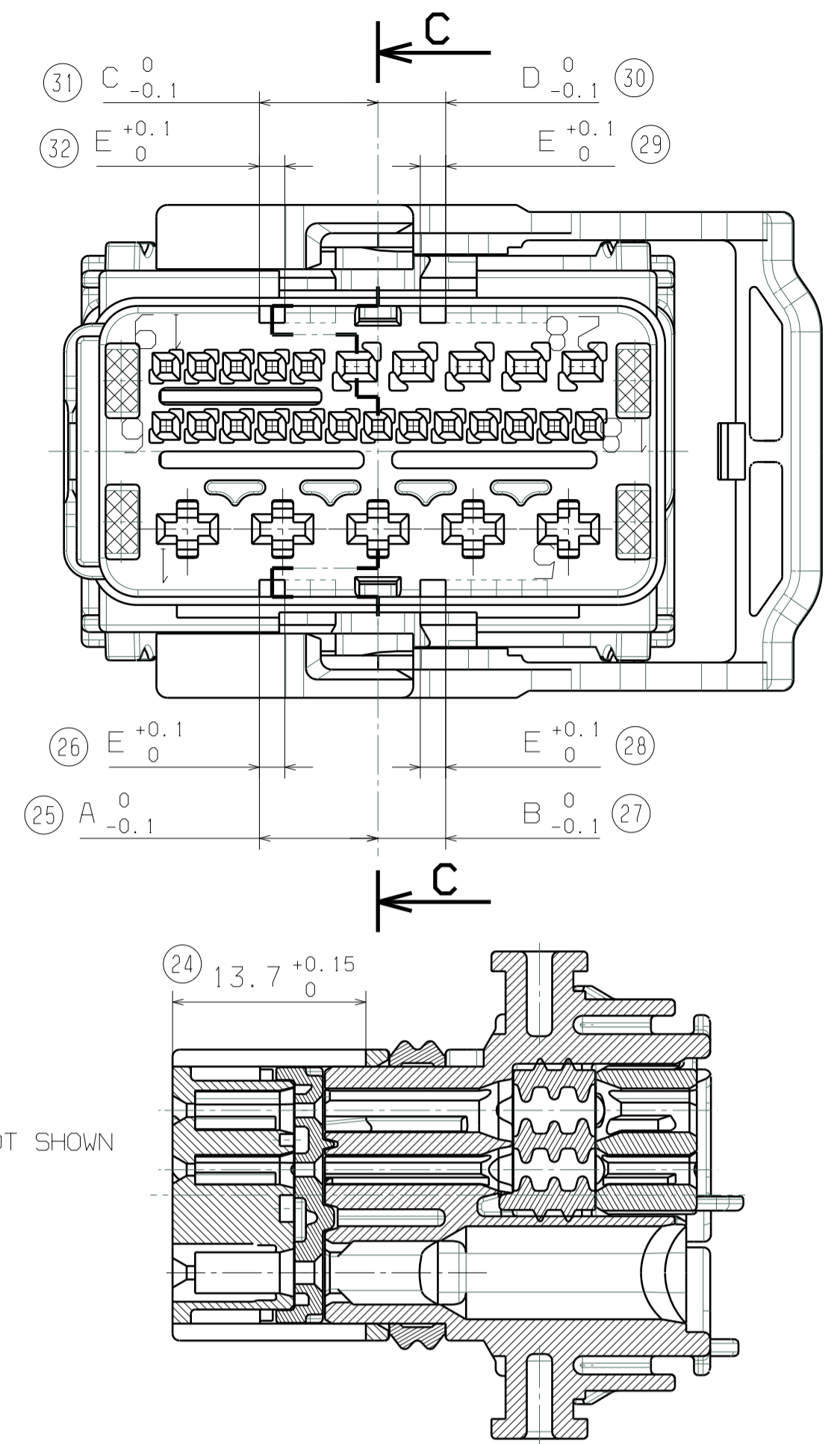


CONNECTOR OVERALL DIMENSIONS:
SECONDARY LOCKING IN
DELIVERY POSITION

RIGHT WIRE OUTPUT



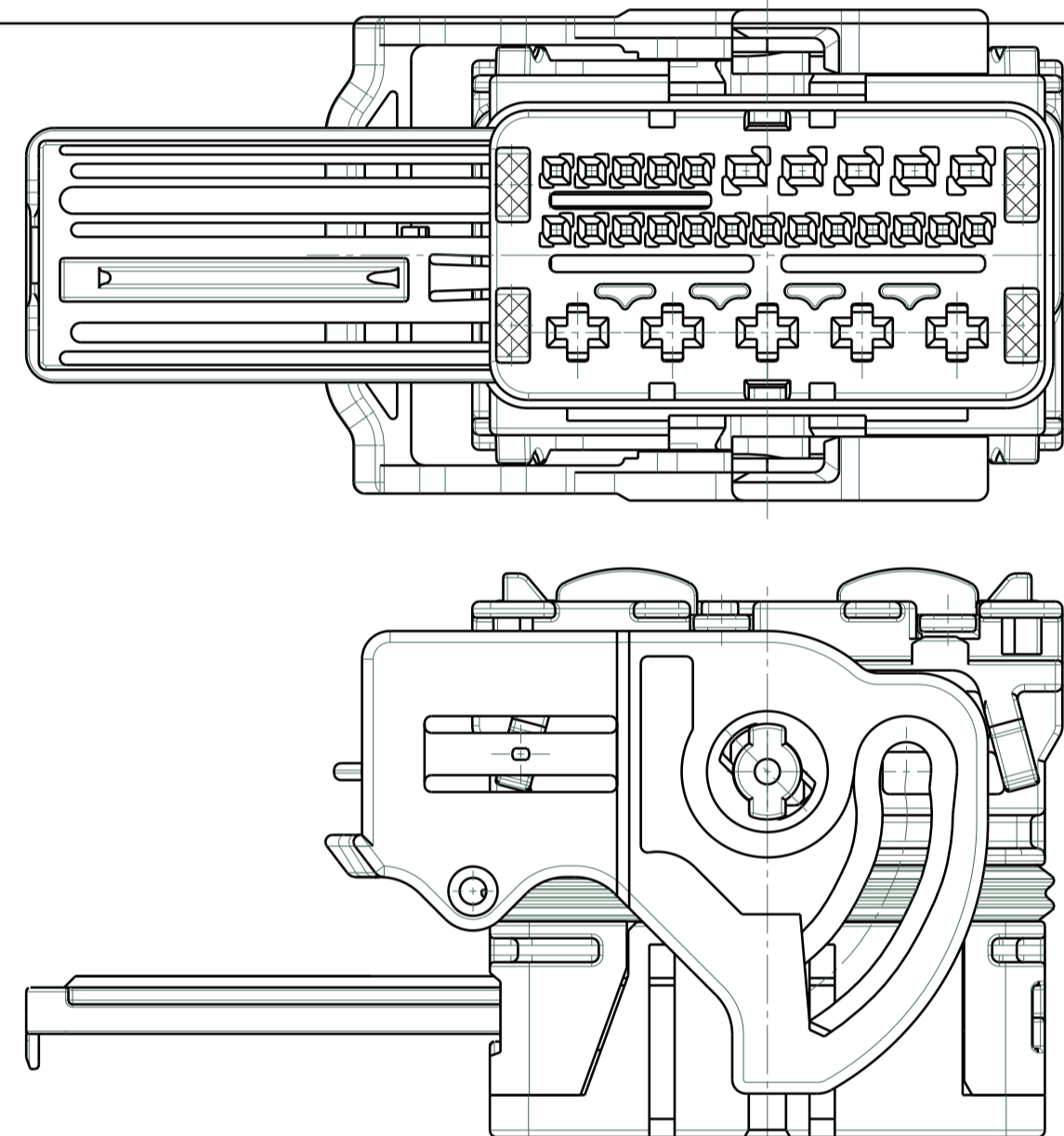
CODING POSITION



C-C
LOCKING LEVER NOT SHOWN

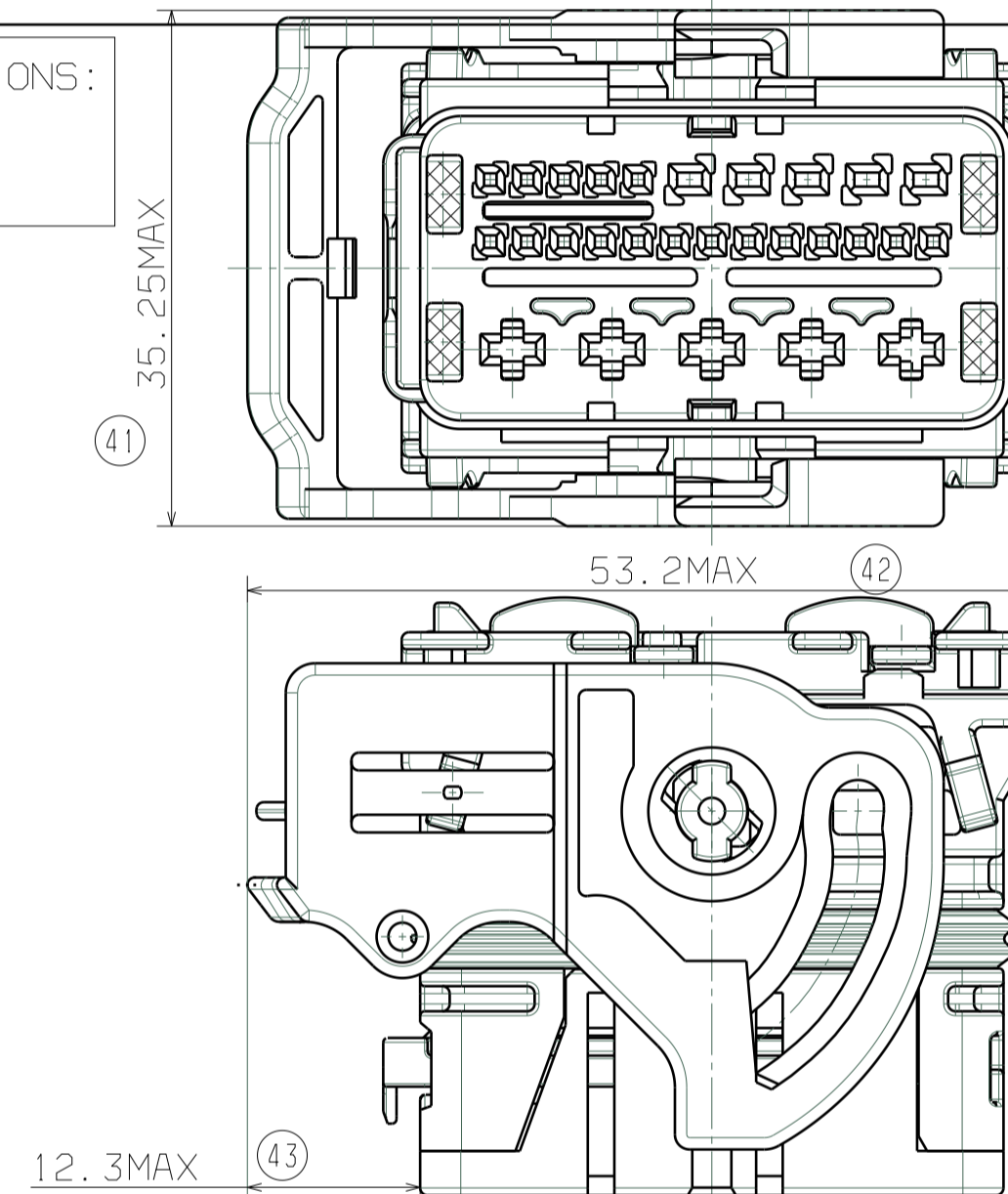
CONNECTOR OVERALL DIMENSIONS:
SECONDARY LOCKING FULLY OPENED
FOR TERMINAL INSERTION

LEFT WIRE OUTPUT



CONNECTOR OVERALL DIMENSIONS:
SECONDARY LOCKING IN
DELIVERY POSITION

LEFT WIRE OUTPUT



| COLOR | KEYING | A | B | C | D | E |
|-------|--------|-----|-----|-----|------|-----|
| BLACK | 1 | 8.4 | 4.8 | 8.4 | 4.8 | 1.8 |
| GREY | 2 | 8.4 | 6.6 | 6.6 | 6.6 | 1.8 |
| BROWN | 3 | 8.4 | 8.4 | 4.8 | 10.2 | 1.8 |

| TERMINALS USED | | | | | | | |
|---|--|---------------------|------------|-----------------------|--------------------------|-----------------------|-----------------------|
| CAVITIES ID. | TERMINALS (Section mm ²) | REVIETEMENT PLATING | MOLEX P/N | WIRE SEAL | WIRE INSULATION DIAMETER | | |
| 6 to 23 | CP 0.6 (0.35mm ² to 0.44mm ²) | Tin plated | 0643221019 | | Ø1.25 min / Ø1.40 Max | | |
| | | Gold plated | 0643221229 | | | | |
| | CP 0.6 (0.5mm ²) | Tin plated | 0643221039 | | | Ø1.40 min / Ø1.90 Max | |
| | | Gold plated | 0643221239 | | | Ø1.40 min / Ø1.90 Max | |
| 24 to 28 | CP 0.6 (0.75mm ²) | Tin plated | 0643221029 | | Ø1.40 min / Ø1.90 Max | | |
| | | Gold plated | 0643221219 | | | | |
| | CP 1.5 (0.5mm ² to 1mm ²) | Tin plated | 0643231029 | | | Ø1.45 min / Ø2.15 Max | |
| | | Gold plated | 0643231319 | | | Ø2.10 min / Ø2.80 Max | |
| 1 to 5 | CP 1.5 (>1mm ² to 2mm ²) | Tin plated | 0643231039 | | Ø2.65 min / Ø3.45 Max | | |
| | | Gold plated | 0643231219 | | | | |
| | CP 2.8 (>0.5mm ² to 1mm ²) | Tin plated | 0643241049 | | | 0643251332 | Ø1.40 min / Ø2.15 Max |
| | | Gold plated | 0643241149 | | | 0643251345 | Ø2.10 min / Ø2.80 Max |
| | CP 2.8 (>1mm ² to 2mm ²) | Tin plated | 0643241039 | | | 0643251345 | Ø2.10 min / Ø2.80 Max |
| | | Gold plated | 0643241139 | | | 0643251358 | Ø2.65 min / Ø3.45 Max |
| CP 2.8 (>2mm ² to 3mm ²) | Tin plated | 0643241029 | 0643251358 | Ø2.65 min / Ø3.45 Max | | | |
| | Gold plated | 0643241129 | 0643251366 | Ø3.40 min / Ø4.00 Max | | | |
| CP 2.8 (>3mm ² to 5mm ²) | Tin plated | 0643241019 | 0643251366 | Ø3.40 min / Ø4.00 Max | | | |
| | Gold plated | 0643241119 | | | | | |

| | | | | | | | | |
|--|-------------------------------|---------------------------------------|------|---|--------------------|--|------------------------------|---------------------|
| WIRE SEAL P/N UPD. EC NO: G2012-0068 DRAWN: PBOUSSAIN 2010/06/15 CHK'D: OPLESSIS 2011/11/17 APPR.: CBOUCHAN 2011/11/17 | QUALITY SYMBOLS ▽=0 ▽=0 | GENERAL TOLERANCES (UNLESS SPECIFIED) | | DIMENSION STYLE MM ONLY | SCALE 2:1 | DESIGN UNITS METRIC | FIRST ANGLE PROJECTION | |
| | | mm | INCH | DRAWN BY TBADAROUX | DATE 2007/09/25 | TITLE CMC CONNECTOR 28 CKT POWER MAT SEAL VERSION | | |
| | | 4 PLACES ± | ± | CHECKED BY OPLESSIS | DATE 2007/09/25 | MOLEX MOLEX INCORPORATED | | |
| | | 3 PLACES ± | ± | APPROVED BY CBOUCHAN | DATE 2007/09/25 | MATERIAL NO. SEE CHART | DOCUMENT NO. SD-64318-001 | SHEET NO. 2 OF 2 |
| DRAFT WHERE APPLICABLE MUST REMAIN WITHIN DIMENSIONS | | ANGULAR ± 2° | | THIS DRAWING CONTAINS INFORMATION THAT IS PROPRIETARY TO MOLEX INCORPORATED AND SHOULD NOT BE USED WITHOUT WRITTEN PERMISSION | | | | |