



产品编号 : [791098401](#)

Product Description : Milli-Grid Receptacle, Surface Mount, Vertical, Top/Bottom Entry, without Press-fit Plastic Pegs, with Cap, Embossed Tape on Reel, 0.38µm Gold (Au) Selective, 4 Circuits, Lead-Free

系列号 : 79109

状态 : Active

Product Category : PCB Headers and Receptacles



文件和资源

图纸

[图纸 791098401_sd.pdf](#)

[包装设计图 PK-70873-0259-001.pdf](#)

3D 模型和设计文件

[3D模型 791098401_stp.zip](#)


规格

[应用规格 503940001-AS-000.pdf](#)

[产品规格 PS-79107-001.pdf](#)

产物环境合规

合规

GADSL/IMDS	Not Relevant
China RoHS	
EU ELV	Not Relevant
Low-Halogen Status	Low-Halogen per IEC 61249-2-21
REACH SVHC	Not Contained per D(2023)3788-DC (14 Jun 2023)
EU RoHS	Compliant per EU 2015/863

多部分产品合规性声明

- Eu RoHS
- REACH SVHC
- Low-Halogen

多部分行业合规性文件

- IPC 1752A Class C
- IPC 1752A Class D
- Molex Product Compliance Declaration
- IEC-62474
- chemSHERPA (xml)

欧盟 RoHS 合格证书

产品详情

常规

状态	活动
类别	PCB Headers and Receptacles
系列	79109
说明	Milli-Grid Receptacle, Surface Mount, Vertical, Top/Bottom Entry, without Press-fit Plastic Pegs, with Cap, Embossed Tape on Reel, 0.38µm Gold (Au) Selective, 4 Circuits, Lead-Free
应用	Board-to-Board, Signal
元件类型	PCB Receptacle
产品系列	Milli-Grid Connector System
产品名称	Milli-Grid
UPC	822348492251

机构

CSA	LR19980
UL	E29179

电气

每触点最大电流	1.0A
电压 - 最大	125V

物理

回路数 (已载入)	4
电路数 (最多)	4
颜色-树脂	黑色
耐用性(插拔次数) - 最多次数	50

阻燃性	94V-0
符合灼热丝规范	否
锁定插接部位	无
材料 - 金属	Phosphor Bronze
材料 - 接合部位电镀	金牌
材料 - 终端电镀	Tin
材料 - 树脂	High Temperature Thermoplastic
净重	0.110/g
行数	2
方向	垂直
包装形式	Embossed Tape on Reel
PCB 定位器	否
PCB 保持力	无
间距 - 插配接口	2.00mm
最薄镀层 - 接合部位	0.381µm
最薄镀层 - 端接	1.905µm
PCB 极性	否
运行温度范围	-55° to +105° C
终端界面类型	Surface Mount

进程

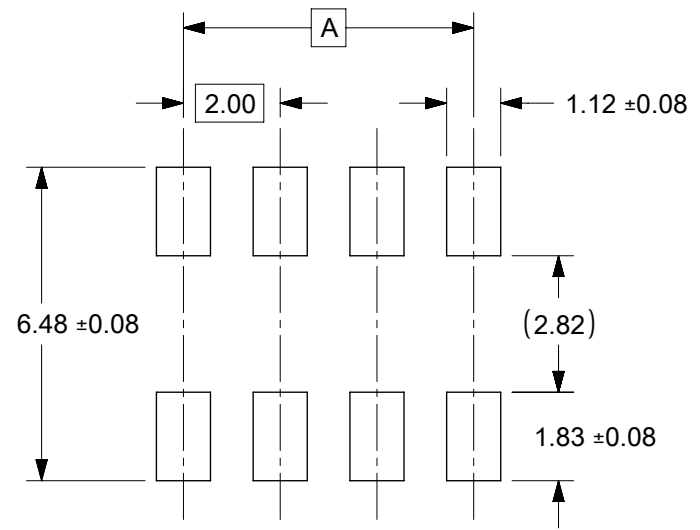
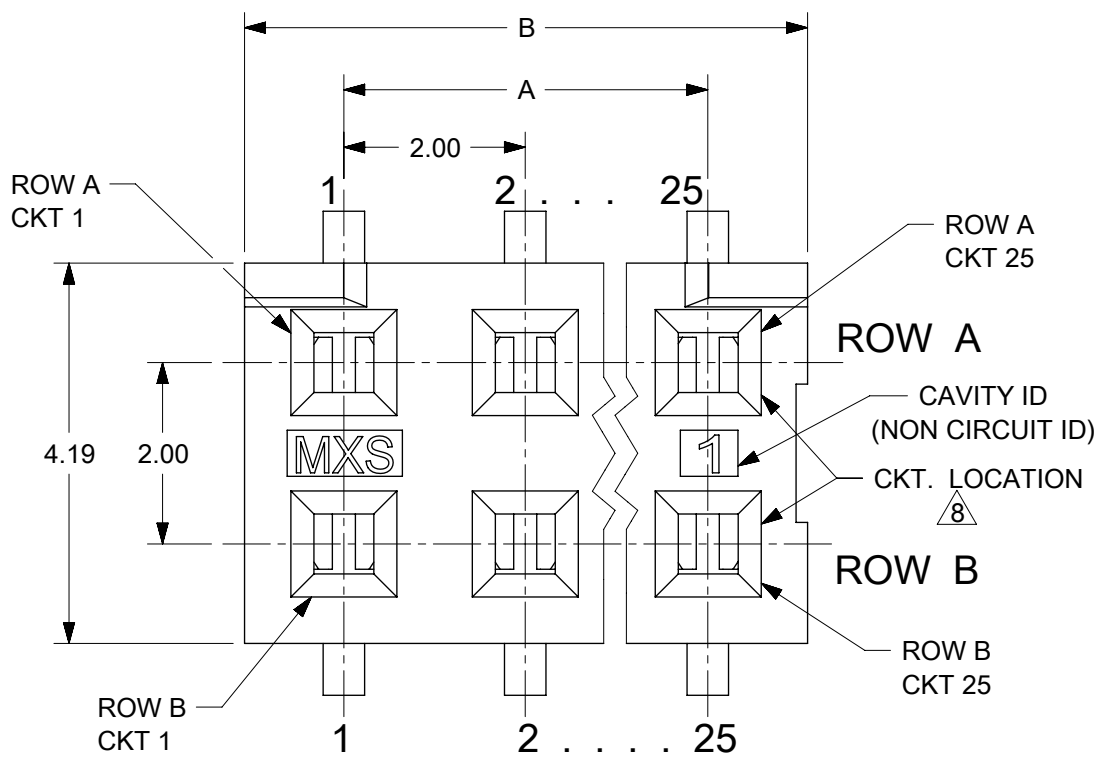
最长持续时间	10
无铅	REFLOW
最大周期	1
最高温度	260

可配插/可连接使用的产品

可配插部件

描述	产品编号
Milli-Grid Vertical Through Hole Headers	<u>87758</u>
Milli-Grid Vertical Surface Mount Headers	<u>87759</u>
Milli-Grid Right-Angle Through Hole Headers	<u>87760</u>

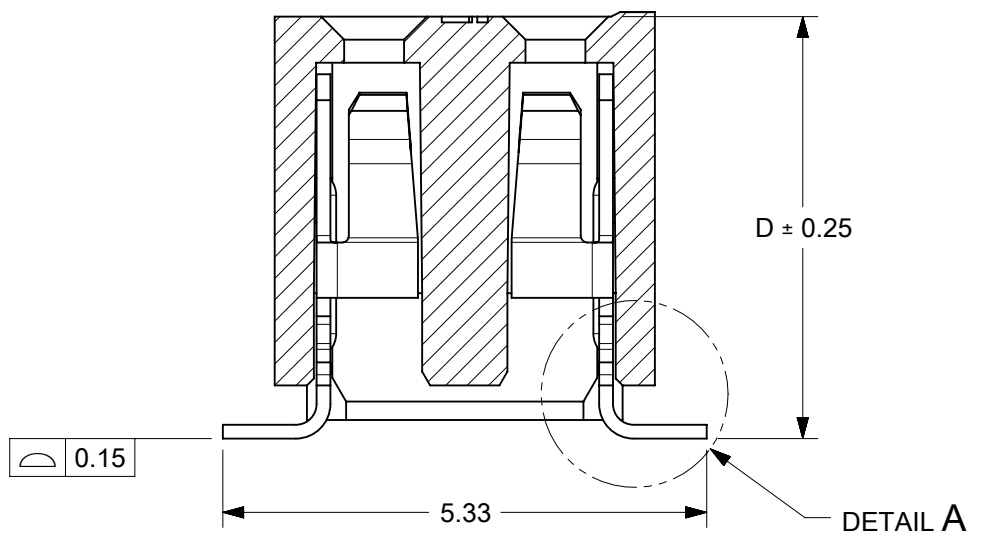
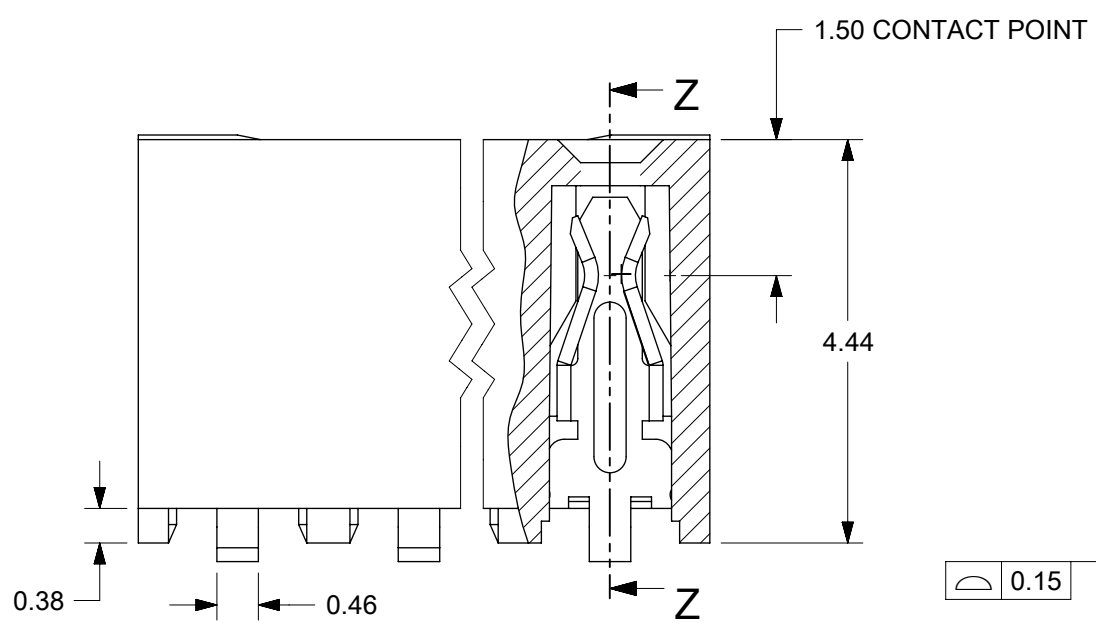
Milli-Grid Vertical, Dual Row, Through Hole Headers	<u>87831</u>
Milli-Grid Vertical, Dual Row, Surface Mount Headers	<u>87832</u>
Milli-Grid Right-Angle Dual Row Through Hole Headers	<u>87833</u>
Milli-Grid Vertical, Dual Row, Through Hole Headers	<u>151117</u>
Milli-Grid Vertical, Dual Row, Surface Mount Headers	<u>151118</u>
Milli-Grid Right-Angle, Dual Row, Through Hole Headers	<u>151119</u>
Milli-Grid Right-Angle, Dual Row, Surface Mount Headers	<u>151120</u>



RECOMMENDED PCB PAD LAYOUT

NOTES:

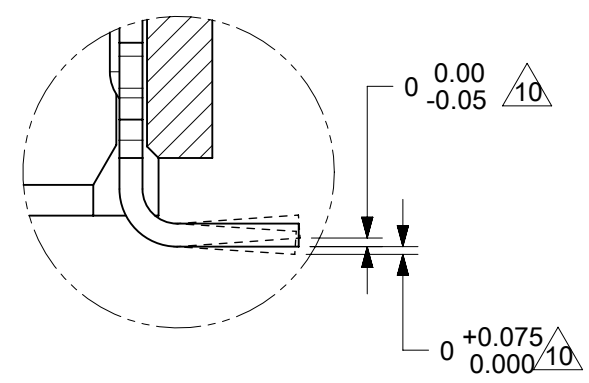
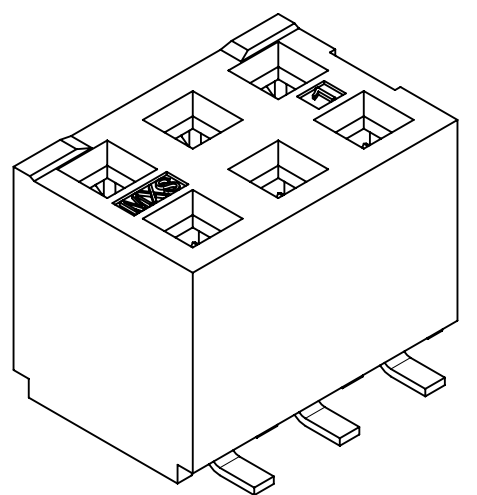
1. HOUSING MATERIAL:
LCP, GLASS FILLED, UL 94V-0
COLOUR BLACK.
2. TERMINAL MATERIAL:
PHOSPHOR BRONZE
3. SEE APPROPRIATE SHEET FOR CIRCUIT SIZE,
PART NUMBERS AND OVERALL DIMENSIONS.
4. FOR ILLUSTRATION, 6 CKT ASSY SHOWN.
5. REFER TO PRODUCT SPEC PS-79107.
6. TUBE PACKAGING PER PK-70873-0217 OR
TAPE PACKAGING PER PK-70873-0259
7. SEE FROM SHT 4 FOR PEG OPTION ASSEMBLIES.
8. CKT LOCATIONS ARE NUMBERED FROM LEFT TO
RIGHT WHEN VIEWING ASSY FROM TOP WITH
THE GATE RECESS ON THE RIGHT AS SHOWN.
9. SEE SHT 3, 7 & 9 FOR VOIDED CIRCUIT PART NUMBERS.
10. MEASUREMENT IS TAKEN BETWEEN THE TANGENT OF
THE TOE TO TIP OF THE TERMINAL.



SECTION Z-Z

PLATING OPTION:

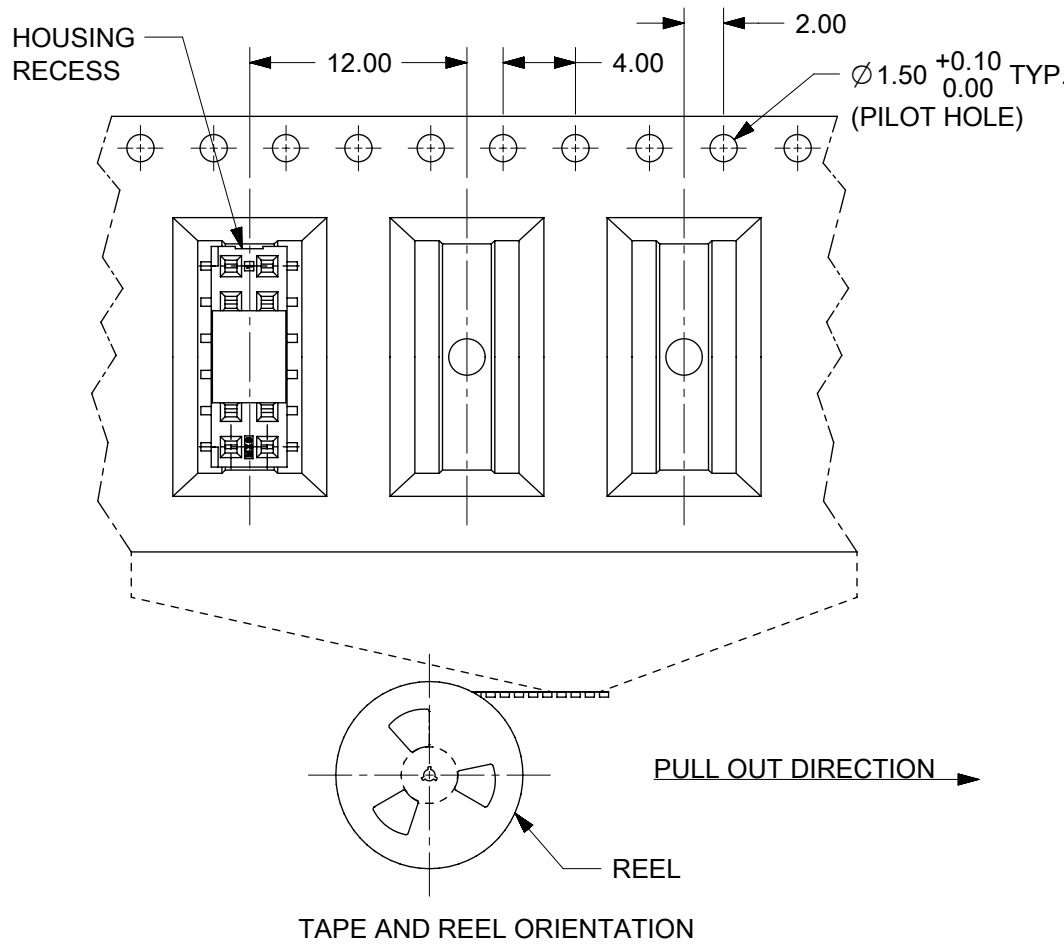
- (4). 30µin (0.75µm) MIN. GOLD PLATE IN SELECTED AREA AND
75µin (1.88µm) MIN. TIN IN SELECTED AREA OVER
50µin (1.25µm) MIN. NICKEL OVER-ALL.
- (5). 15µin (0.38µm) MIN. GOLD PLATE IN SELECTED AREA AND
75µin (1.88µm) MIN. TIN IN SELECTED AREA OVER
50µin (1.25µm) MIN. NICKEL OVER-ALL.
- (6). 5µin (0.13µm) MIN. GOLD PLATE IN SELECTED AREA AND
75µin (1.88µm) MIN. TIN IN SELECTED AREA OVER
50µin (1.25µm) MIN. NICKEL OVER-ALL.



DETAIL A BENDING ANGLE OF TAIL

THIS DRAWING CONTAINS INFORMATION THAT IS PROPRIETARY TO MOLEX ELECTRONIC TECHNOLOGIES, LLC AND SHOULD NOT BE USED WITHOUT WRITTEN PERMISSION									
DIMENSION UNITS		SCALE		CURRENT REV DESC: CHAMFER REMOVED					
mm		NTS		<p>2MM DUAL ROW VERTICAL RECEPTACLE, SMT</p> <p>PRODUCT CUSTOMER DRAWING</p> <p>DOCUMENT NUMBER: SDA-79109-XXXX DOC TYPE: PSD DOC PART: 001 REVISION: N8</p> <p>MATERIAL NUMBER: 79109 CUSTOMER: GENERAL MARKET SHEET NUMBER: 1 OF 10</p>					
GENERAL TOLERANCES (UNLESS SPECIFIED)									
ANGULAR TOL ± °									
4 PLACES ±		EC NO: 658279							
3 PLACES ±		DRWN: ABABUPS 2020/12/17							
2 PLACES ± 0.25		CHK'D: MRAMAKRISHNA 2021/03/16							
1 PLACE ± 0.38		APPR: MRAMAKRISHNA 2021/03/16							
0 PLACES ±		INITIAL REVISION:							
DRAFT WHERE APPLICABLE MUST REMAIN WITHIN DIMENSIONS		THIRD ANGLE PROJECTION		DRAWING		SERIES		MATERIAL NUMBER	
				A3-SIZE		79109			

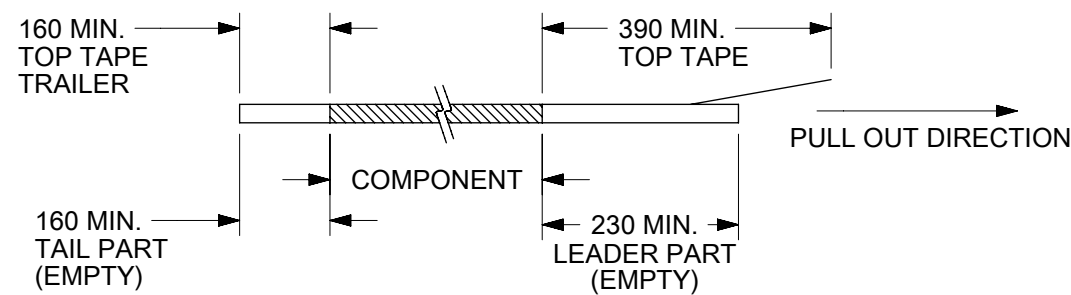
WITHOUT PEG OPTION



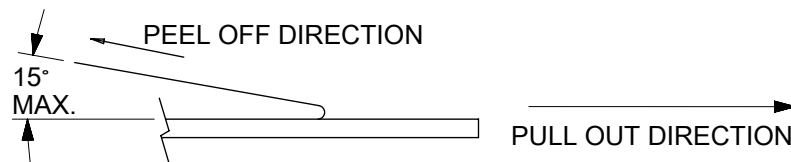
CKT. SIZE	DIM. "A"	DIM. "B"	DIM. "D"	PLATING OPTION 5		PLATING OPTION 4		PLATING OPTION 6		
				ITEM NO. TUBE PACKED (WITHOUT CAP)	ITEM NO. TAPE PACKED (WITH CAP)	ITEM NO. TUBE PACKED (WITHOUT CAP)	ITEM NO. TAPE PACKED (WITH CAP)	ITEM NO. TUBE PACKED (WITHOUT CAP)	ITEM NO. TAPE PACKED (WITH CAP)	ITEM NO. TAPE PACKED (WITHOUT CAP)
04	2.00	4.19	4.65	79109-1001	79109-8401	79109-1051	79109-8451	79109-1101	79109-1149	79109-2801
06	4.00	6.19	4.65	79109-1002	79109-8402	79109-1052	79109-8452	79109-1102	-	-
08	6.00	8.19	4.65	79109-1003	79109-8403	79109-1053	79109-8453	79109-1103	-	-
10	8.00	10.19	4.65	79109-1004	79109-8404	79109-1054	79109-8454	79109-1104	-	-
12	10.00	12.19	4.65	79109-1005	79109-8405	79109-1055	79109-8455	79109-1105	-	-
14	12.00	14.19	4.65	79109-1006	79109-8406	79109-1056	79109-8456	79109-1106	-	-
16	14.00	16.19	4.65	79109-1007	79109-8407	79109-1057	79109-8457	79109-1107	-	-
18	16.00	18.19	4.65	79109-1008	79109-8408	79109-1058	79109-8458	79109-1108	-	-
20	18.00	20.19	4.65	79109-1009	79109-8409	79109-1059	79109-8459	79109-1109	-	-
22	20.00	22.19	4.65	79109-1010	79109-8410	79109-1060	79109-8460	79109-1110	-	-
24	22.00	24.19	4.65	79109-1011	79109-8411	79109-1061	79109-8461	79109-1111	-	-
26	24.00	26.19	4.65	79109-1012	79109-8412	79109-1062	79109-8462	79109-1112	-	-
28	26.00	28.19	4.65	79109-1013	79109-8413	79109-1063	79109-8463	79109-1113	-	-
30	28.00	30.19	4.65	79109-1014	79109-8414	79109-1064	79109-8464	79109-1114	-	-
32	30.00	32.19	4.65	79109-1015	79109-8415	79109-1065	79109-8465	79109-1115	-	-
34	32.00	34.19	4.65	79109-1016	79109-8416	79109-1066	79109-8466	79109-1116	-	-
36	34.00	36.19	4.65	79109-1017	79109-8417	79109-1067	79109-8467	79109-1117	-	-
38	36.00	38.19	4.65	79109-1018	79109-8418	79109-1068	79109-8468	79109-1118	-	-
40	38.00	40.19	4.65	79109-1019	79109-8419	79109-1069	79109-8469	79109-1119	-	-
42	40.00	42.19	4.65	79109-1020	79109-8420	79109-1070	79109-8470	79109-1120	-	-
44	42.00	44.19	4.65	79109-1021	79109-8421	79109-1071	79109-8471	79109-1121	-	-
46	44.00	46.19	4.65	79109-1022	79109-8422	79109-1072	79109-8472	79109-1122	-	-
48	46.00	48.19	4.65	79109-1023	79109-8423	79109-1073	79109-8473	79109-1123	-	-
50	48.00	50.19	4.65	79109-1024	79109-8424	79109-1074	79109-8474	79109-1124	-	-

"X" INDICATES TOOLING NOT AVAILABLE.

- NOTES:
1. LEADER AND TRAILER TAPE.



2. PEELING OFF FORCE OF THE TOP TAPE: 20-80gf.
(PEELING DIRECTION AS SHOWN IN FOLLOWING FIGURE)



3. PACKAGING STANDARD IS AS PER EIA-481.
4. TAPE & REEL QUANTITY = 500 PCS/REEL

SPECIAL PACKAGING (TAPE PACKED WITHOUT CAP)

CKT. SIZE	DIM. "A"	DIM. "B"	DIM. "D"	ITEM NO.	PLATING OPTION SEE SHEET 1
06	4.00	6.19	4.65	79109-9004	5
20	18.00	20.19	4.65	79109-9005	5
50	48.00	50.19	4.65	79109-9006	5
34	32.00	34.19	4.65	79109-9007	5

THIS DRAWING CONTAINS INFORMATION THAT IS PROPRIETARY TO MOLEX ELECTRONIC TECHNOLOGIES, LLC AND SHOULD NOT BE USED WITHOUT WRITTEN PERMISSION		CURRENT REV DESC: CHAMFER REMOVED			
DIMENSION UNITS: mm	SCALE: NTS				
GENERAL TOLERANCES (UNLESS SPECIFIED)		EC NO: 658279		2MM DUAL ROW VERTICAL RECEPTACLE, SMT	
ANGULAR TOL	± °	DRWN: ABABUPS 2020/12/17		PRODUCT CUSTOMER DRAWING	
4 PLACES	±	CHK'D: MRAMAKRISHNA 2021/03/16		DOCUMENT NUMBER: SDA-79109-XXXX	
3 PLACES	±	APPR: MRAMAKRISHNA 2021/03/16		DOC TYPE: PSD	DOC PART: 001
2 PLACES	± 0.25	INITIAL REVISION:		REVISION: N8	
1 PLACE	± 0.38	DRWN: ATSEE 2014/07/24			
0 PLACES	±	APPR: LBLEE 2014/08/01			
DRAFT WHERE APPLICABLE MUST REMAIN WITHIN DIMENSIONS		THIRD ANGLE PROJECTION	DRAWING: A3-SIZE	SERIES: 79109	SHEET NUMBER: 2 OF 10

ASSEMBLIES WITHOUT PEGS

VOIDED CIRCUIT OPTION

CKT. SIZE	ASSEMBLY (WITHOUT CAP IN TUBE)	VOID LOCATION(S) SEE SHEET 1 FOR CONVENTION		PLATING OPTION	DIM."A"	DIM."B"	DIM."D"
	PART NUMBER.	ROW	CKT. NO.(S)				
22	79109-5011	A	2	4	20.00	22.19	4.65
6	79109-5012	A	2	5	4.00	6.19	4.65

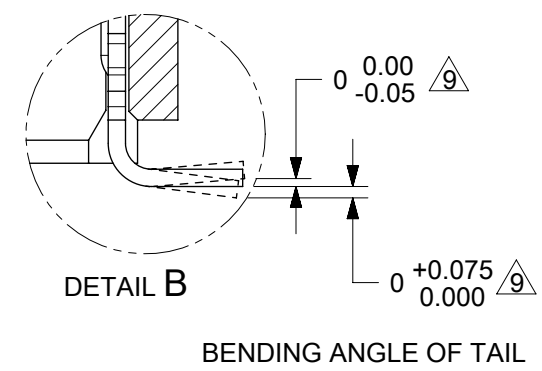
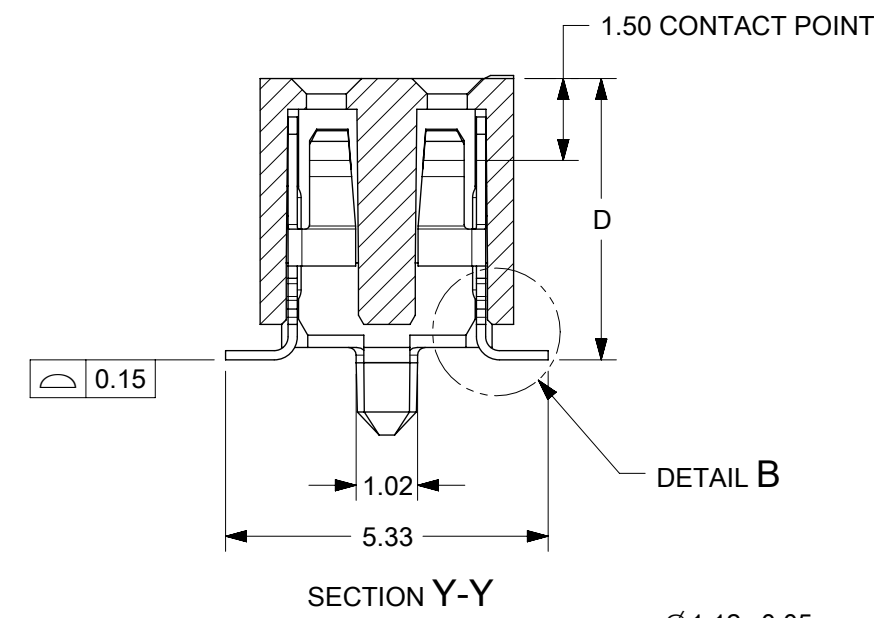
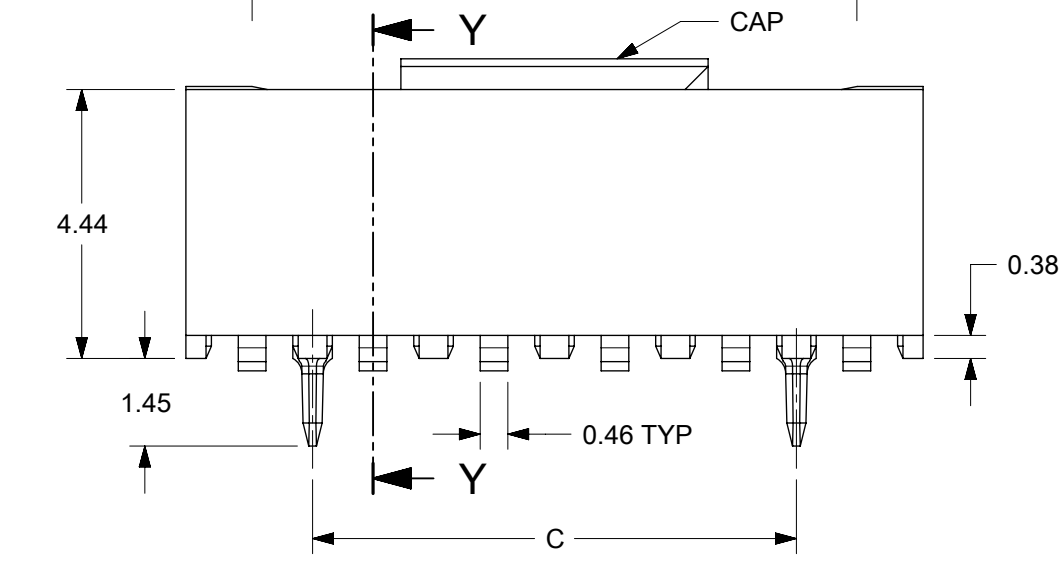
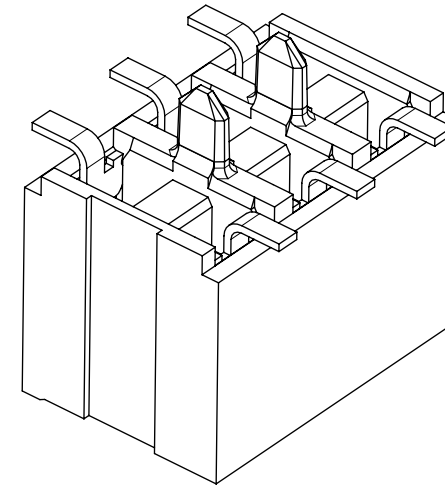
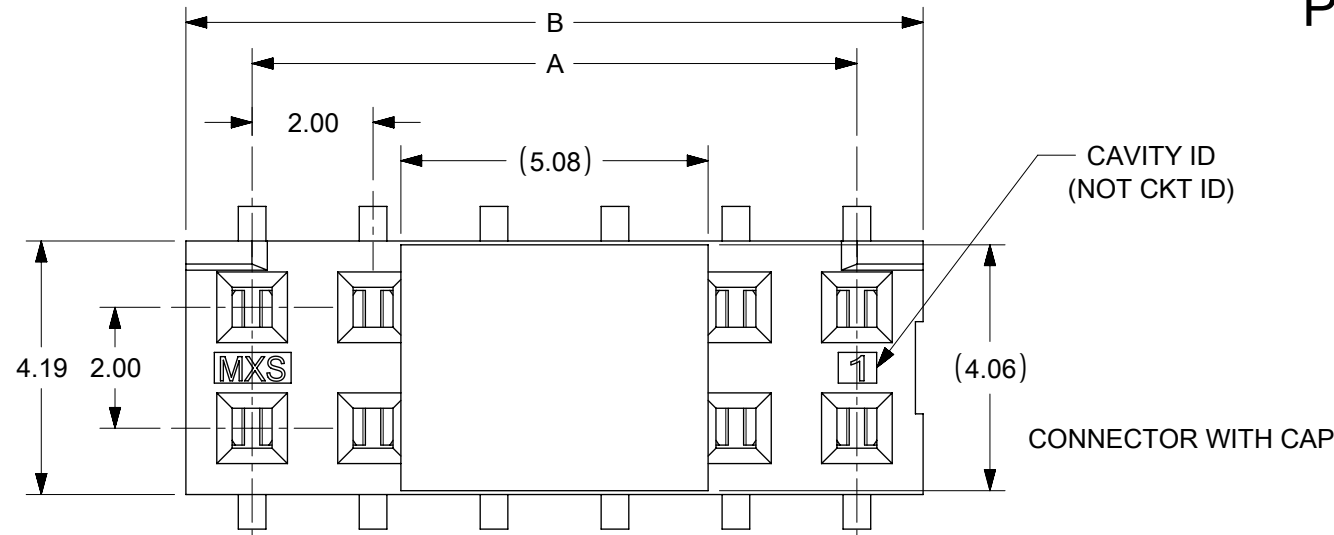
CKT. SIZE	ASSEMBLY (WITH CAP IN T&R)	VOID LOCATION(S) SEE SHEET 1 FOR CONVENTION		PLATING OPTION	DIM."A"	DIM."B"	DIM."D"
	PART NUMBER	ROW	CKT. NO.(S)				
50	79109-8924	A	13, 23	5	48.00	50.19	4.65
		B	23				

NOTES:

1. TERMINALS WILL BE PRESENT IN VOIDED LOCATIONS. HOWEVER, PIN WINDOWS WILL BE CLOSED.
2. VOIDS CAN ONLY BE PRESENT IN ONE ROW OF A CONNECTOR.

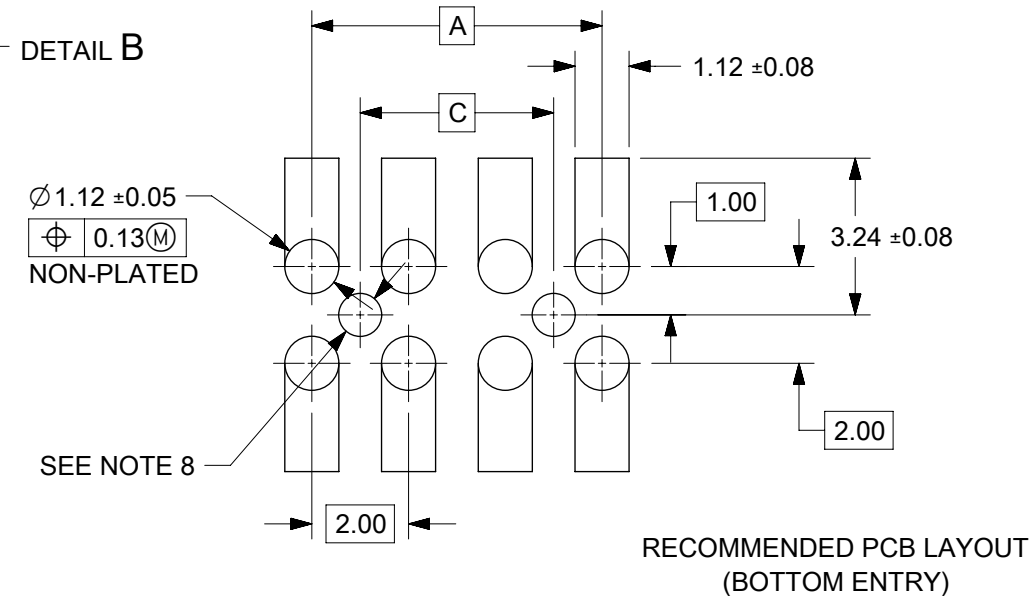
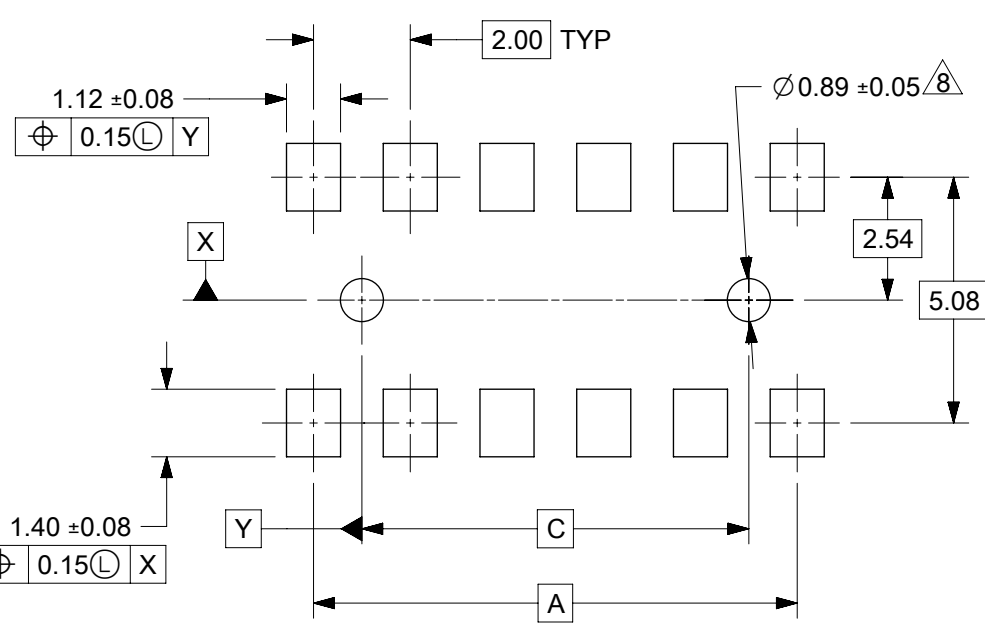
THIS DRAWING CONTAINS INFORMATION THAT IS PROPRIETARY TO MOLEX ELECTRONIC TECHNOLOGIES, LLC AND SHOULD NOT BE USED WITHOUT WRITTEN PERMISSION										
DIMENSION UNITS	SCALE	CURRENT REV DESC: CHAMFER REMOVED					molex			
mm	NTS									
GENERAL TOLERANCES (UNLESS SPECIFIED)							2MM DUAL ROW VERTICAL RECEPTACLE, SMT			
ANGULAR TOL	±						PRODUCT CUSTOMER DRAWING			
4 PLACES	±	EC NO: 658279								
3 PLACES	±	DRWN: ABABUPS	2020/12/17							
2 PLACES	± 0.25	CHK'D: MRAMAKRISHNA	2021/03/16							
1 PLACE	± 0.38	APPR: MRAMAKRISHNA	2021/03/16							
0 PLACES	±	INITIAL REVISION:				DOCUMENT NUMBER		DOC TYPE	DOC PART	REVISION
		DRWN: ATSEE	2014/07/24			SDA-79109-XXXX		PSD	001	N8
		APPR: LBLEE	2014/08/01							
DRAFT WHERE APPLICABLE MUST REMAIN WITHIN DIMENSIONS		THIRD ANGLE PROJECTION	DRAWING	SERIES	MATERIAL NUMBER	CUSTOMER		SHEET NUMBER		
			A3-SIZE	79109		GENERAL MARKET		3 OF 10		

PEG OPTION



- PLATING OPTION:**
- (4). 30µin (0.75µm) MIN. GOLD PLATE IN SELECTED AREA AND 75µin (1.88µm) MIN. TIN IN SELECTED AREA OVER 50µin (1.25µm) MIN. NICKEL OVER-ALL.
 - (5). 15µin (0.38µm) MIN. GOLD PLATE IN SELECTED AREA AND 75µin (1.88µm) MIN. TIN IN SELECTED AREA OVER 50µin (1.25µm) MIN. NICKEL OVER-ALL.
 - (6). 5µin (0.13µm) MIN. GOLD PLATE IN SELECTED AREA AND 75µin (1.88µm) MIN. TIN IN SELECTED AREA OVER 50µin (1.25µm) MIN. NICKEL OVER-ALL.

- NOTES:**
1. HOUSING MATERIAL: GLASS FILLED HIGH TEMP. THERMOPLASTIC. COLOR:BLACK.
 2. TERMINAL MATERIAL: PHOSPHOR BRONZE.
 3. SEE APPROPRIATE SHEET FOR CIRCUIT SIZE, PART NUMBERS AND OVER-ALL DIMENSIONS.
 4. FOR ILLUSTRATION, 6 & 12 CIRCUIT ASSEMBLY SHOWN.
 5. REFER TO PRODUCT SPECIFICATION PS-79107.
 6. TUBE PACKAGING PER PK-70873-0217 OR TAPE PACKAGING PER 70873-0259.
 7. SEE PSX-79107 FOR SUGGESTED BOTTOM ENTRY PIN LENGTHS.
 8. 0.89±0.05 DIA FOR PRESS FIT ONLY.
0.99±0.05 FOR PICK AND PLACE WITH MOUNTING FORCE
1.20±0.076 FOR PICK AND PLACE WITH ZERO MOUNTING FORCE
 9. MEASUREMENT IS TAKEN BETWEEN THE TANGENT OF THE TOE TO TIP OF THE TERMINAL.



THIS DRAWING CONTAINS INFORMATION THAT IS PROPRIETARY TO MOLEX ELECTRONIC TECHNOLOGIES, LLC AND SHOULD NOT BE USED WITHOUT WRITTEN PERMISSION									
DIMENSION UNITS		SCALE		CURRENT REV DESC: CHAMFER REMOVED					
mm		NTS		<p>2MM DUAL ROW VERTICAL RECEPTACLE, SMT</p> <p>PRODUCT CUSTOMER DRAWING</p>					
GENERAL TOLERANCES (UNLESS SPECIFIED)									
ANGULAR TOL ± °									
4 PLACES ±		EC NO: 658279							
3 PLACES ±		DRWN: ABABUPS 2020/12/17							
2 PLACES ± 0.25		CHK'D: MRAMAKRISHNA 2021/03/16							
1 PLACE ± 0.38		APPR: MRAMAKRISHNA 2021/03/16							
0 PLACES ±		INITIAL REVISION:		DOCUMENT NUMBER		DOC TYPE		DOC PART	
DRAFT WHERE APPLICABLE MUST REMAIN WITHIN DIMENSIONS		THIRD ANGLE PROJECTION		DRAWING		SERIES		MATERIAL NUMBER	
		A3-SIZE		79109		SDA-79109-XXXX		PSD 001 N8	
						CUSTOMER		SHEET NUMBER	
						GENERAL MARKET		4 OF 10	

PEG OPTION

CKT. SIZE	DIM. "A"	DIM. "B"	DIM. "C"	DIM. "D"	PLATING OPTION 5			PLATING OPTION 4		PLATING OPTION 6	
					ITEM NO. TUBE PACKED (WITHOUT CAP)	ITEM NO. TAPE PACKED (WITH CAP)	ITEM NO. TUBE PACKED (WITH CAP)	ITEM NO. TUBE PACKED (WITHOUT CAP)	ITEM NO. TAPE PACKED (WITH CAP)	ITEM NO. TUBE PACKED (WITHOUT CAP)	ITEM NO. TAPE PACKED (WITH CAP)
04	2.00	4.19	-	4.65	79109-1201	79109-8601	79109-1225	79109-1251	79109-8651	79109-1301	-
06	4.00	6.19	2.00	4.65	79109-1202	79109-8602	79109-1226	79109-1252	79109-8652	79109-1302	-
08	6.00	8.19	4.00	4.65	79109-1203	79109-8603	79109-1227	79109-1253	79109-8653	79109-1303	-
10	8.00	10.19	6.00	4.65	79109-1204	79109-8604	79109-1228	79109-1254	79109-8654	79109-1304	-
12	10.00	12.19	8.00	4.65	79109-1205	79109-8605	79109-1229	79109-1255	79109-8655	79109-1305	-
14	12.00	14.19	10.00	4.65	79109-1206	79109-8606	79109-1230	79109-1256	79109-8656	79109-1306	-
16	14.00	16.19	12.00	4.65	79109-1207	79109-8607	79109-1231	79109-1257	79109-8657	79109-1307	-
18	16.00	18.19	14.00	4.65	79109-1208	79109-8608	79109-1232	79109-1258	79109-8658	79109-1308	-
20	18.00	20.19	16.00	4.65	79109-1209	79109-8609	79109-1233	79109-1259	79109-8659	79109-1309	-
22	20.00	22.19	18.00	4.65	79109-1210	79109-8610	79109-1234	79109-1260	79109-8660	79109-1310	-
24	22.00	24.19	20.00	4.65	79109-1211	79109-8611	79109-1235	79109-1261	79109-8661	79109-1311	-
26	24.00	26.19	22.00	4.65	79109-1212	79109-8612	79109-1236	79109-1262	79109-8662	79109-1312	-
28	26.00	28.19	24.00	4.65	79109-1213	79109-8613	79109-1237	79109-1263	79109-8663	79109-1313	-
30	28.00	30.19	26.00	4.65	79109-1214	79109-8614	79109-1238	79109-1264	79109-8664	79109-1314	-
32	30.00	32.19	28.00	4.65	79109-1215	79109-8615	79109-1239	79109-1265	79109-8665	79109-1315	-
34	32.00	34.19	30.00	4.65	79109-1216	79109-8616	79109-1240	79109-1266	79109-8666	79109-1316	-
36	34.00	36.19	32.00	4.65	79109-1217	79109-8617	79109-1241	79109-1267	79109-8667	79109-1317	-
38	36.00	38.19	34.00	4.65	79109-1218	79109-8618	79109-1242	79109-1268	79109-8668	79109-1318	-
40	38.00	40.19	36.00	4.65	79109-1219	79109-8619	79109-1243	79109-1269	79109-8669	79109-1319	-
42	40.00	42.19	38.00	4.65	79109-1220	79109-8620	79109-1244	79109-1270	79109-8670	79109-1320	-
44	42.00	44.19	40.00	4.65	79109-1221	79109-8621	79109-1245	79109-1271	79109-8671	79109-1321	-
46	44.00	46.19	42.00	4.65	79109-1222	79109-8622	79109-1246	79109-1272	79109-8672	79109-1322	-
48	46.00	48.19	44.00	4.65	79109-1223	79109-8623	79109-1247	79109-1273	79109-8673	79109-1323	-
50	48.00	50.19	46.00	4.65	79109-1224	79109-8624	79109-1248	79109-1274	79109-8674	79109-1324	-

'X' INDICATES TOOLING NOT AVAILABLE

THIS DRAWING CONTAINS INFORMATION THAT IS PROPRIETARY TO MOLEX ELECTRONIC TECHNOLOGIES, LLC AND SHOULD NOT BE USED WITHOUT WRITTEN PERMISSION		CURRENT REV DESC: CHAMFER REMOVED		molex			
DIMENSION UNITS mm	SCALE NTS	EC NO: 658279 DRWN: ABABUPS 2020/12/17 CHK'D: MRAMAKRISHNA 2021/03/16 APPR: MRAMAKRISHNA 2021/03/16 INITIAL REVISION: DRWN: ATSEE 2014/07/24 APPR: LBLEE 2014/08/01		2MM DUAL ROW VERTICAL RECEPTACLE, SMT			
GENERAL TOLERANCES (UNLESS SPECIFIED)				PRODUCT CUSTOMER DRAWING			
ANGULAR TOL ±	°			DOCUMENT NUMBER SDA-79109-XXXX		DOC TYPE PSD	DOC PART 001
4 PLACES ±				REVISION N8			
3 PLACES ±				MATERIAL NUMBER 79109		CUSTOMER GENERAL MARKET	SHEET NUMBER 5 OF 10
2 PLACES ±	0.25	THIRD ANGLE PROJECTION 					
1 PLACE ±	0.38						
0 PLACES ±							
DRAFT WHERE APPLICABLE MUST REMAIN WITHIN DIMENSIONS		DRAWING A3-SIZE	SERIES 79109				

10

9

8

7

6

5

4

3

2

1

F

F

E

E

PEG OPTION
SPECIAL PACKAGING (TAPE PACKED WITHOUT CAP)

CKT. SIZE	DIM. "A"	DIM. "B"	DIM. "C"	DIM. "D"	ITEM NO.	PLATING OPTION SEE SHEET 1
50	48.00	50.19	46.00	4.65	79109-9103	5

D

D

C

C

B

B

A

A

THIS DRAWING CONTAINS INFORMATION THAT IS PROPRIETARY TO MOLEX ELECTRONIC TECHNOLOGIES, LLC AND SHOULD NOT BE USED WITHOUT WRITTEN PERMISSION									
DIMENSION UNITS mm	SCALE NTS	CURRENT REV DESC: CHAMFER REMOVED				molex			
GENERAL TOLERANCES (UNLESS SPECIFIED)		EC NO: 658279							
ANGULAR TOL ± °		DRWN: ABABUPS 2020/12/17				2MM DUAL ROW VERTICAL RECEPTACLE, SMT			
4 PLACES ±		CHK'D: MRAMAKRISHNA 2021/03/16				PRODUCT CUSTOMER DRAWING			
3 PLACES ±		APPR: MRAMAKRISHNA 2021/03/16				DOCUMENT NUMBER			
2 PLACES ± 0.25		INITIAL REVISION:				SDA-79109-XXXX			
1 PLACE ± 0.38		DRWN: ATSEE 2014/07/24				DOC TYPE			
0 PLACES ±		APPR: LBLEE 2014/08/01				PSD			
DRAFT WHERE APPLICABLE MUST REMAIN WITHIN DIMENSIONS		THIRD ANGLE PROJECTION 	DRAWING A3-SIZE	SERIES 79109	MATERIAL NUMBER	CUSTOMER GENERAL MARKET	DOC PART 001	REVISION N8	SHEET NUMBER 6 OF 10

DOCUMENT STATUS	P1	RELEASE DATE	2021/03/16	11:11:17
-----------------	----	--------------	------------	----------

9

8

7

6

5

4

3

2

1

F



F

ASSEMBLIES WITH PEGS
VOIDED CIRCUIT OPTION

CKT. SIZE	ASSEMBLY (WITHOUT CAP IN TUBE)	VOID LOCATION(S) SEE SHEET 1 FOR CONVENTION		PLATING OPTION	DIM."A"	DIM."B"	DIM."C"	DIM."D"
	ITEM NO.	ROW	CKT. NO.(S)					
48	79109-6011	ROW A	1, 24	5	46.00	48.19	44.00	4.65
44	79109-6012	ROW B	10	5	42.00	44.19	42.00	4.65

NOTES:

1. TERMINALS WILL BE PRESENT IN VOIDED LOCATIONS. HOWEVER, PIN WINDOWS WILL BE CLOSED.
2. VOIDS CAN ONLY BE PRESENT IN ONE ROW OF A CONNECTOR.

THIS DRAWING CONTAINS INFORMATION THAT IS PROPRIETARY TO MOLEX ELECTRONIC TECHNOLOGIES, LLC AND SHOULD NOT BE USED WITHOUT WRITTEN PERMISSION										
DIMENSION UNITS	SCALE	CURRENT REV DESC: CHAMFER REMOVED								
mm	NTS									
GENERAL TOLERANCES (UNLESS SPECIFIED)							2MM DUAL ROW VERTICAL RECEPTACLE, SMT			
ANGULAR TOL	± °						PRODUCT CUSTOMER DRAWING			
4 PLACES	±	EC NO: 658279				DOCUMENT NUMBER				
3 PLACES	±	DRWN: ABABUPS	2020/12/17				SDA-79109-XXXX		DOC TYPE	DOC PART
2 PLACES	± 0.25	CHK'D: MRAMAKRISHNA	2021/03/16				PSD		001	REVISION
1 PLACE	± 0.38	APPR: MRAMAKRISHNA	2021/03/16				N8			
0 PLACES	±	INITIAL REVISION:								
DRAFT WHERE APPLICABLE MUST REMAIN WITHIN DIMENSIONS		DRWN: ATSEE	2014/07/24							
		APPR: LBLEE	2014/08/01							
		THIRD ANGLE PROJECTION	DRAWING	SERIES	MATERIAL NUMBER	CUSTOMER	SHEET NUMBER			
			A3-SIZE	79109		GENERAL MARKET	7 OF 10			

DOCUMENT STATUS	P1	RELEASE DATE	2021/03/16	11:11:17
-----------------	----	--------------	------------	----------

SPECIAL - CUSTOM TERMINAL FEET

PEG OPTION

CKT. SIZE	DIM. "A"	DIM. "B"	DIM. "C"	DIM. "D"	PLATING OPTION 5			
					ITEM NO. TUBE PACKED (WITHOUT CAP)	ITEM NO. TAPE PACKED (WITH CAP)	ITEM NO. TUBE PACKED (WITH CAP)	
04	2.00	4.19	-	4.70	X		X 79109-8751	X
06	4.00	6.19	2.00	4.70	X		X 79109-8752	X
08	6.00	8.19	4.00	4.70	X		X 79109-8753	X
10	8.00	10.19	6.00	4.70	X		X 79109-8754	X
12	10.00	12.19	8.00	4.70	X		X 79109-8755	X
14	12.00	14.19	10.00	4.70	X		X 79109-8756	X
16	14.00	16.19	12.00	4.70	X		X 79109-8757	X
18	16.00	18.19	14.00	4.70	X		X 79109-8758	X
20	18.00	20.19	16.00	4.70	X		X 79109-8759	X
22	20.00	22.19	18.00	4.70	X		X 79109-8760	X
24	22.00	24.19	20.00	4.70	X		X 79109-8761	X
26	24.00	26.19	22.00	4.70	X		X 79109-8762	X
28	26.00	28.19	24.00	4.70	X		X 79109-8763	X
30	28.00	30.19	26.00	4.70		79109-7010	X 79109-8764	X 79109-7065
32	30.00	32.19	28.00	4.70	X		X 79109-8765	X
34	32.00	34.19	30.00	4.70	X		X 79109-8766	X
36	34.00	36.19	32.00	4.70	X		X 79109-8767	X
38	36.00	38.19	34.00	4.70	X		X 79109-8768	X
40	38.00	40.19	36.00	4.70	X		X 79109-8769	X
42	40.00	42.19	38.00	4.70	X		X N.A.	X
44	42.00	44.19	40.00	4.70		79109-7016	X N.A.	X
46	44.00	46.19	42.00	4.70	X		X N.A.	X
48	46.00	48.19	44.00	4.70	X		X N.A.	X
50	48.00	50.19	46.00	4.70		79109-7015	X N.A.	X

'X' INDICATES TOOLING NOT AVAILABLE

THIS DRAWING CONTAINS INFORMATION THAT IS PROPRIETARY TO MOLEX ELECTRONIC TECHNOLOGIES, LLC AND SHOULD NOT BE USED WITHOUT WRITTEN PERMISSION										
DIMENSION UNITS	SCALE	CURRENT REV DESC: CHAMFER REMOVED						molex		
mm	NTS							2MM DUAL ROW VERTICAL RECEPTACLE, SMT		
GENERAL TOLERANCES (UNLESS SPECIFIED)								PRODUCT CUSTOMER DRAWING		
ANGULAR TOL	± °									
4 PLACES	±	EC NO: 658279		2020/12/17						
3 PLACES	±	DRWN: ABABUPS		2021/03/16						
2 PLACES	± 0.25	CHK'D: MRAMAKRISHNA		2021/03/16						
1 PLACE	± 0.38	APPR: MRAMAKRISHNA		2021/03/16						
0 PLACES	±	INITIAL REVISION:								
		DRWN: ATSEE		2014/07/24						
		APPR: LBLEE		2014/08/01						
DRAFT WHERE APPLICABLE MUST REMAIN WITHIN DIMENSIONS		THIRD ANGLE PROJECTION		DRAWING		SERIES		MATERIAL NUMBER		
				A3-SIZE		79109		CUSTOMER		
								GENERAL MARKET		
								SHEET NUMBER		
								8 OF 10		


SPECIAL - CUSTOM TERMINAL FEET
VOIDED CURCUIT OPTION

CKT. SIZE	ASSEMBLY		VOID LOCATION(S) SEE SHEET 1 FOR CONVENTION		PLATING OPTION	DIM."A"	DIM."B"	DIM."C"	DIM."D"	PEG OPTION
	ITEM NO. TUBE PACKED (WITHOUT CAP)	ITEM NO. TAPE PACKED (WITH CAP)	ROW	CKT. NO.(S)						
	48	79109-7011 X	79109-8385	ROW A						
42	79109-7012 X	79109-8386	ROW A	1, 21	5	40.00	42.19	38.00	4.70	YES
20	79109-7013 X	79109-8387	ROW A	1, 10	5	18.00	20.19	16.00	4.70	YES
50	79109-7014 X	79109-8388	ROW B	13	5	48.00	50.19	46.00	4.70	YES
50	79109-7017 X	79109-8988	ROW B	13	5	48.00	50.19	46.00	4.70	NO

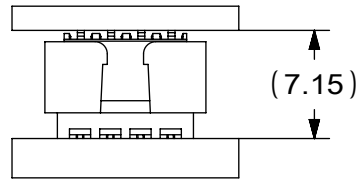
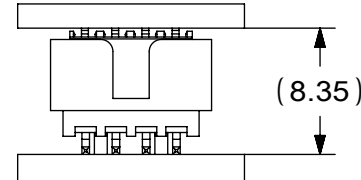
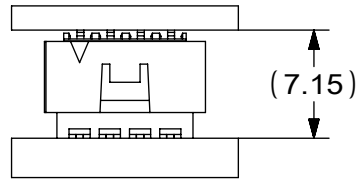
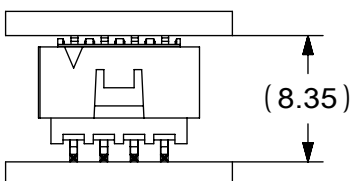
'X' INDICATES TOOLING NOT AVAILABLE.


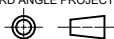
NOTES:

1. TERMINALS WILL BE PRESENT IN VOIDED LOCATIONS. HOWEVER, PIN WINDOWS WILL BE CLOSED.
2. VOIDS CAN ONLY BE PRESENT IN ONE ROW OF A CONNECTOR.

THIS DRAWING CONTAINS INFORMATION THAT IS PROPRIETARY TO MOLEX ELECTRONIC TECHNOLOGIES, LLC AND SHOULD NOT BE USED WITHOUT WRITTEN PERMISSION										
DIMENSION UNITS	SCALE	CURRENT REV DESC: CHAMFER REMOVED								
mm	NTS	 2MM DUAL ROW VERTICAL RECEPTACLE, SMT								
GENERAL TOLERANCES (UNLESS SPECIFIED)										
ANGULAR TOL	± °	PRODUCT CUSTOMER DRAWING								
4 PLACES	±	EC NO: 658279	2020/12/17							
3 PLACES	±	DRWN: ABABUPS	2021/03/16							
2 PLACES	± 0.25	CHK'D: MRAMAKRISHNA	2021/03/16							
1 PLACE	± 0.38	APPR: MRAMAKRISHNA	2021/03/16							
0 PLACES	±	INITIAL REVISION:	DOCUMENT NUMBER							
DRAFT WHERE APPLICABLE MUST REMAIN WITHIN DIMENSIONS		DRWN: ATSEE	2014/07/24				SDA-79109-XXXX		DOC TYPE	DOC PART
THIRD ANGLE PROJECTION		APPR: LBLEE	2014/08/01				PSD		001	N8
DRAWING		SERIES		MATERIAL NUMBER		CUSTOMER		SHEET NUMBER		
A3-SIZE		79109				GENERAL MARKET		9 OF 10		

BOARD TO BOARD (BTB) DISTANCE

RECEPTACLE	MATES WITH(HEADER)	BTB DISTANCE	PICTORIAL VIEW
79109	87831	7.15	
	87832	8.35	
	151117	7.15	
	151118	8.35	

THIS DRAWING CONTAINS INFORMATION THAT IS PROPRIETARY TO MOLEX ELECTRONIC TECHNOLOGIES, LLC AND SHOULD NOT BE USED WITHOUT WRITTEN PERMISSION									
DIMENSION UNITS	SCALE	CURRENT REV DESC: CHAMFER REMOVED							
mm	NTS								
GENERAL TOLERANCES (UNLESS SPECIFIED)						2MM DUAL ROW VERTICAL RECEPTACLE, SMT			
ANGULAR TOL	±					PRODUCT CUSTOMER DRAWING			
4 PLACES	±					DOCUMENT NUMBER			
3 PLACES	±					SDA-79109-XXXX			
2 PLACES	±					DOC TYPE			
1 PLACE	±					PSD			
0 PLACES	±					DOC PART			
DRAFT WHERE APPLICABLE MUST REMAIN WITHIN DIMENSIONS		THIRD ANGLE PROJECTION		DRAWING	SERIES	MATERIAL NUMBER	CUSTOMER	REVISION	
				A3-SIZE	79109		GENERAL MARKET	001	N8
SHEET NUMBER								10 OF 10	