



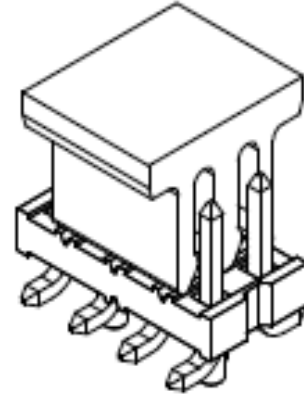
产品编号 : [877591274](#)

**Product Description** : Milli-Grid Header, Surface Mount, Vertical, 12 Circuits, 0.38µm Gold (Au) Selective Plating, with Pick-and-Place Cap, Tape and Reel Packaging, without Press-fit Plastic Pegs, Lead-Free

系列号 : 87759

状态 : Active

**Product Category** : PCB Headers and Receptacles



---

## 文件和资源

### 图纸

[图纸 877591274\\_sd.pdf](#)

[包装设计图 PK-89990-485-001.pdf](#)

### 3D 模型和设计文件

[3D模型 877591274\\_stp.zip](#)

### 规格

[应用规格 503940001-AS-000.pdf](#)

[产品规格 PS-87761-100-001.pdf](#)

[测试摘要 877610000-TS-000.pdf](#)

---

## 产物环境合规

### 合规

GADSL/IMDS	Not Relevant
China RoHS	
EU ELV	Not Relevant
Low-Halogen Status	Not Low-Halogen per IEC 61249-2-21
REACH SVHC	Not Contained per D(2023)3788-DC (14 Jun 2023)
EU RoHS	Compliant per EU 2015/863

### [多部分产品合规性声明](#)

- Eu RoHS

- REACH SVHC

- Low-Halogen

多部分行业合规性文件

- IPC 1752A Class C

- IPC 1752A Class D

- Molex Product Compliance Declaration

- IEC-62474

- chemSHERPA (xml)

欧盟 RoHS 合格证书

---

## 产品详情

### 常规

状态	活动
类别	PCB Headers and Receptacles
系列	87759
说明	Milli-Grid Header, Surface Mount, Vertical, 12 Circuits, 0.38µm Gold (Au) Selective Plating, with Pick-and-Place Cap, Tape and Reel Packaging, without Press-fit Plastic Pegs, Lead-Free
应用	Board-to-Board, Signal
元件类型	PCB Header
产品系列	Milli-Grid Connector System
产品名称	Milli-Grid
UPC	822348312115

### 机构

UL	E29179
----	--------

### 电气

每触点最大电流	2.0A
电压 - 最大	125V

### 物理

断开	是
回路数 (已载入)	12
电路数 (最多)	12

颜色-树脂	黑色
耐用性(插拔次数) - 最多次数	100
先接后断	否
阻燃性	94V-0
符合灼热丝规范	否
可配插产品指南	否
插接极性	无
锁定插接部位	无
插配长度	3.80mm
材料 - 金属	Phosphor Bronze
材料 - 接合部位电镀	金牌
材料 - 终端电镀	Tin
材料 - 树脂	Nylon
净重	0.293/g
行数	2
方向	垂直
包装形式	Embossed Tape on Reel
PCB 定位器	否
PCB 保持力	无
间距 - 插配接口	2.00mm
间距 - 终端界面	2.00mm
最薄镀层 - 接合部位	0.381µm
有极性的插配件	否
PCB 极性	否
自动布局	Pick and Place Cap
有护墙的	否
可堆叠的	否
运行温度范围	-55° to +105° C
终端界面类型	Surface Mount

## 进程

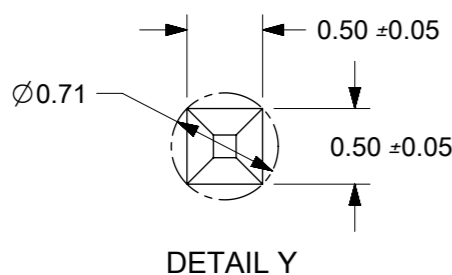
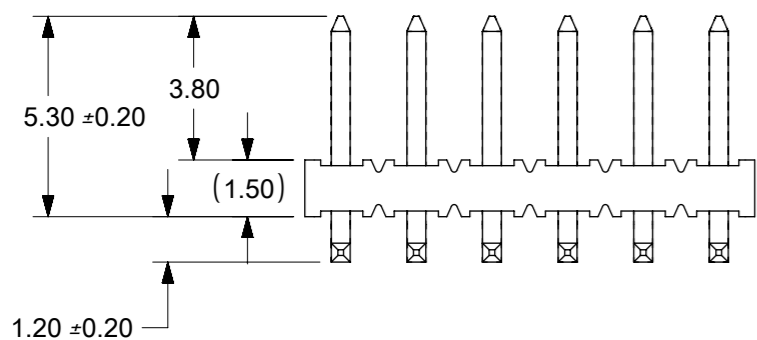
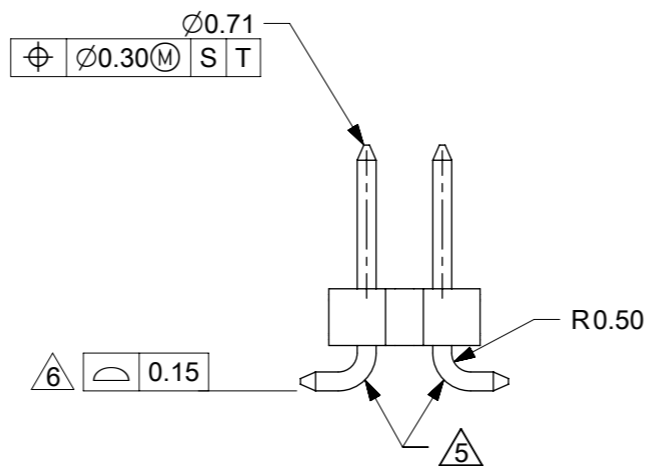
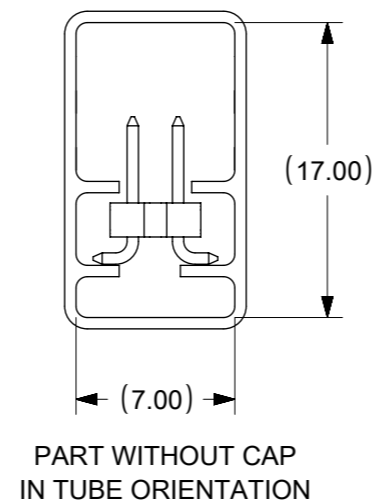
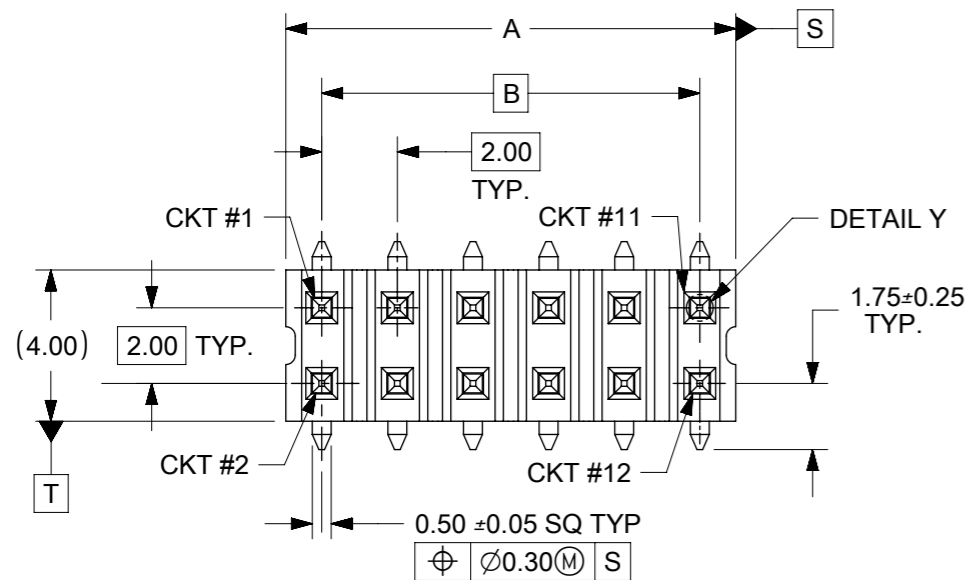
最长持续时间	10
无铅	REFLOW
最大周期	3
最高温度	260

---

## 可配插/可连接使用的产品

### 可配插部件

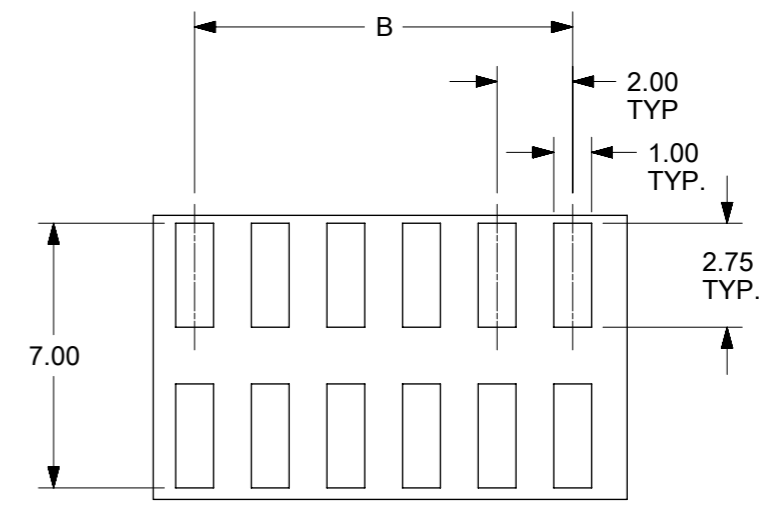
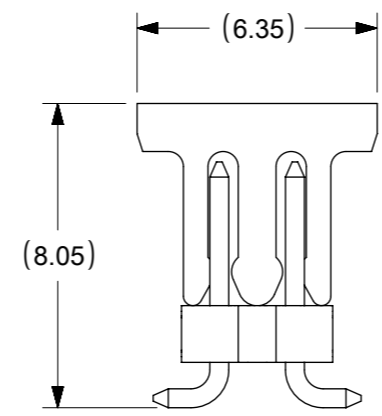
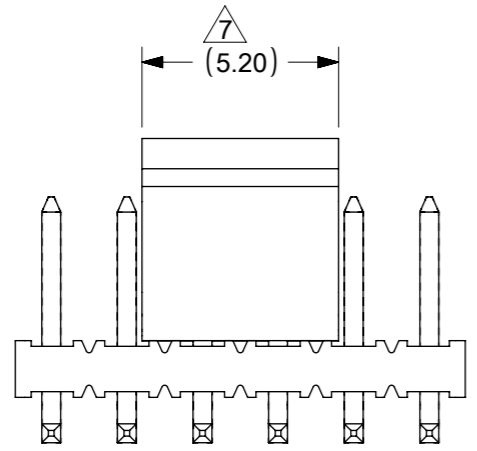
描述	产品编号
Milli-Grid Dual Row Receptacle Housings	<u>51110</u>
Milli-Grid Vertical Through Hole PCB Receptacles	<u>78787</u>
Milli-Grid Top Entry Surface Mount PCB Receptacles	<u>78788</u>
Milli-Grid Vertical Through Hole PCB Receptacles	<u>79107</u>
Milli-Grid Vertical Through Hole PCB Receptacles	<u>79108</u>
Milli-Grid Top/Bottom Entry Surface Mount PCB Receptacles	<u>79109</u>
Milli-Grid Top Entry Surface Mount PCB Receptacles	<u>87381</u>



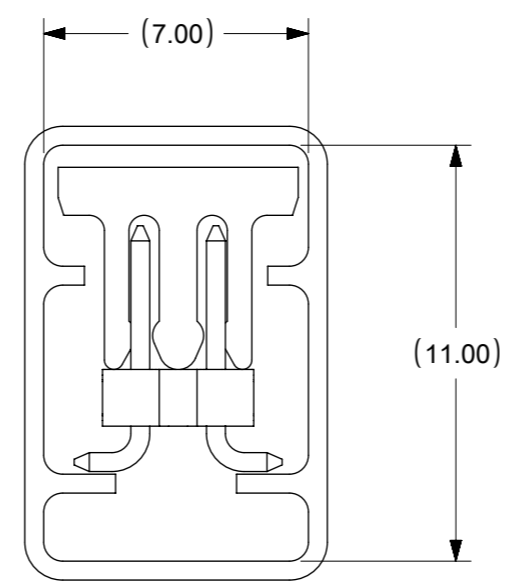
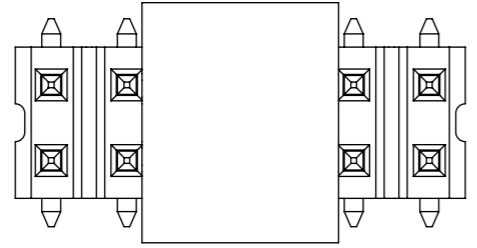
NOTE:

1. MATERIAL:  
HSG & CAP - NYLON, GLASS FILLED  
UL 94V-0, COLOUR BLACK  
PIN - 0.50 SQ PHOSPHOR BRONZE
2. PLATING OPTION:  
(1) 0.76µm MIN GOLD PLATE AT CONTACT AREA,  
TIN PLATE AT SOLDER AREA,  
BOTH OVER NICKEL UNDERPLATE  
(2) 0.38µm MIN GOLD PLATE AT CONTACT AREA,  
TIN PLATE AT SOLDER AREA,  
BOTH OVER NICKEL UNDERPLATE  
(3) 0.05 - 0.25µm GOLD PLATE AT CONTACT AREA,  
TIN PLATE AT SOLDER AREA,  
BOTH OVER NICKEL UNDERPLATE
3. PIN PUSHOUT FORCE: 1KG MIN IN EITHER DIRECTION
4. PRODUCT SPEC PS-87761-100 APPLIES.
5. BEND DEPRESSION IS ACCEPTABLE SO LONG AS IT DOES NOT AFFECT THE OVERALL COPLANARITY OF TAIL.
6. COPLANARITY IS TO BE MEASURED BY RESTING THE SOLDER TAIL ON A FLAT SURFACE.
7. CAP TO BE LOCATED AS CENTRAL OF PART AS POSSIBLE  
TOP SURFACE OF CAP TO BE FLAT FOR THE PURPOSE OF PICK & PLACE BY VACUUM SUCTION NOZZLE.
8. FOR ILLUSTRATION PURPOSES, 12CKT IS SHOWN.
9. CKT 4 & 6 IS CUT FROM CKT 8 & 12 RESPECTIVELY  
ROUGH EDGES ARE EXPECTED ALONG THE CUTTING EDGES.
10. PACKAGING SPECIFICATION:  
FOR TRAY: PK-89990-487  
FOR TUBE: PK-89990-476/ PK-89990-474/ PK-89990-475  
FOR T&R: PK-89990-484/ 485

THIS DRAWING CONTAINS INFORMATION THAT IS PROPRIETARY TO MOLEX ELECTRONIC TECHNOLOGIES, LLC AND SHOULD NOT BE USED WITHOUT WRITTEN PERMISSION									
DIMENSION UNITS		SCALE		CURRENT REV DESC: ADD 87759-3279				<b>molex</b>	
mm		NTS							
GENERAL TOLERANCES (UNLESS SPECIFIED)				EC NO: 174700				CUSTOM HEADER	
				DRWN: NVELUSAMY 2017/12/28				MGRID, 2MM DUAL ROW HDR. SMT	
				CHK'D: SCS02 2018/04/06				PRODUCT CUSTOMER DRAWING	
				APPR: ISHWARG 2018/04/18					
4 PLACES ±				INITIAL REVISION:				DOCUMENT NUMBER	
3 PLACES ±				DRWN: KSEE 2003/12/12				SD-87759-117	
2 PLACES ± 0.2				APPR: SKTOH 2004/01/12				PSD 001 B10	
1 PLACE ±				ANGULAR TOL ± 3.0°				DOC TYPE DOC PART REVISION	
0 PLACES ±				DRAFT WHERE APPLICABLE MUST REMAIN WITHIN DIMENSIONS				SHEET NUMBER	
				THIRD ANGLE PROJECTION		DRAWING		SERIES	
				A3-SIZE		87759		MATERIAL NUMBER	
				SEE TABLE		CUSTOMER		GENERAL MARKET	
								1 OF 8	

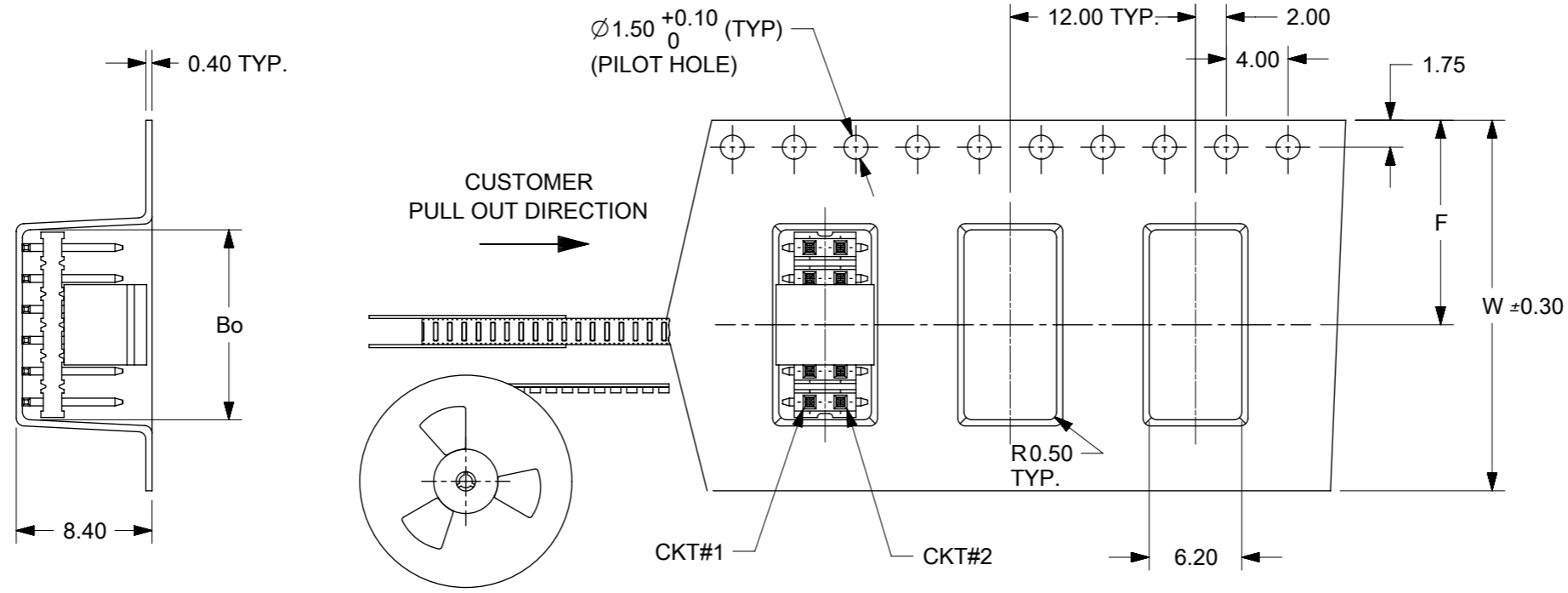


RECOMMENDED SOLDER PAD LAYOUT



THIS DRAWING CONTAINS INFORMATION THAT IS PROPRIETARY TO MOLEX ELECTRONIC TECHNOLOGIES, LLC AND SHOULD NOT BE USED WITHOUT WRITTEN PERMISSION									
DIMENSION UNITS		SCALE		CURRENT REV DESC: ADD 87759-3279				<b>molex</b>	
mm		NTS							
GENERAL TOLERANCES (UNLESS SPECIFIED)				EC NO: 174700		CUSTOMER		CUSTOMER	
				DRWN: NVELUSAMY		2017/12/28		MGRID, 2MM DUAL ROW HDR. SMT	
				CHK'D: SCS02		2018/04/06		PRODUCT CUSTOMER DRAWING	
				APPR: ISHWARG		2018/04/18			
				INITIAL REVISION:		DOCUMENT NUMBER		DOC TYPE   DOC PART   REVISION	
4 PLACES ±				DRWN: KSEE		2003/12/12		SD-87759-117   PSD   001   B10	
3 PLACES ±				APPR: SKTOH		2004/01/12			
2 PLACES ± 0.2				ANGULAR TOL ± 3.0°		MATERIAL NUMBER		CUSTOMER	
1 PLACE ±				DRAFT WHERE APPLICABLE MUST REMAIN WITHIN DIMENSIONS		THIRD ANGLE PROJECTION		DRAWING	
0 PLACES ±				A3-SIZE		SERIES		SHEET NUMBER	
				87759		SEE TABLE		GENERAL MARKET	
								2 OF 8	

EMBOSED CARRIER TAPE TYPE "A"



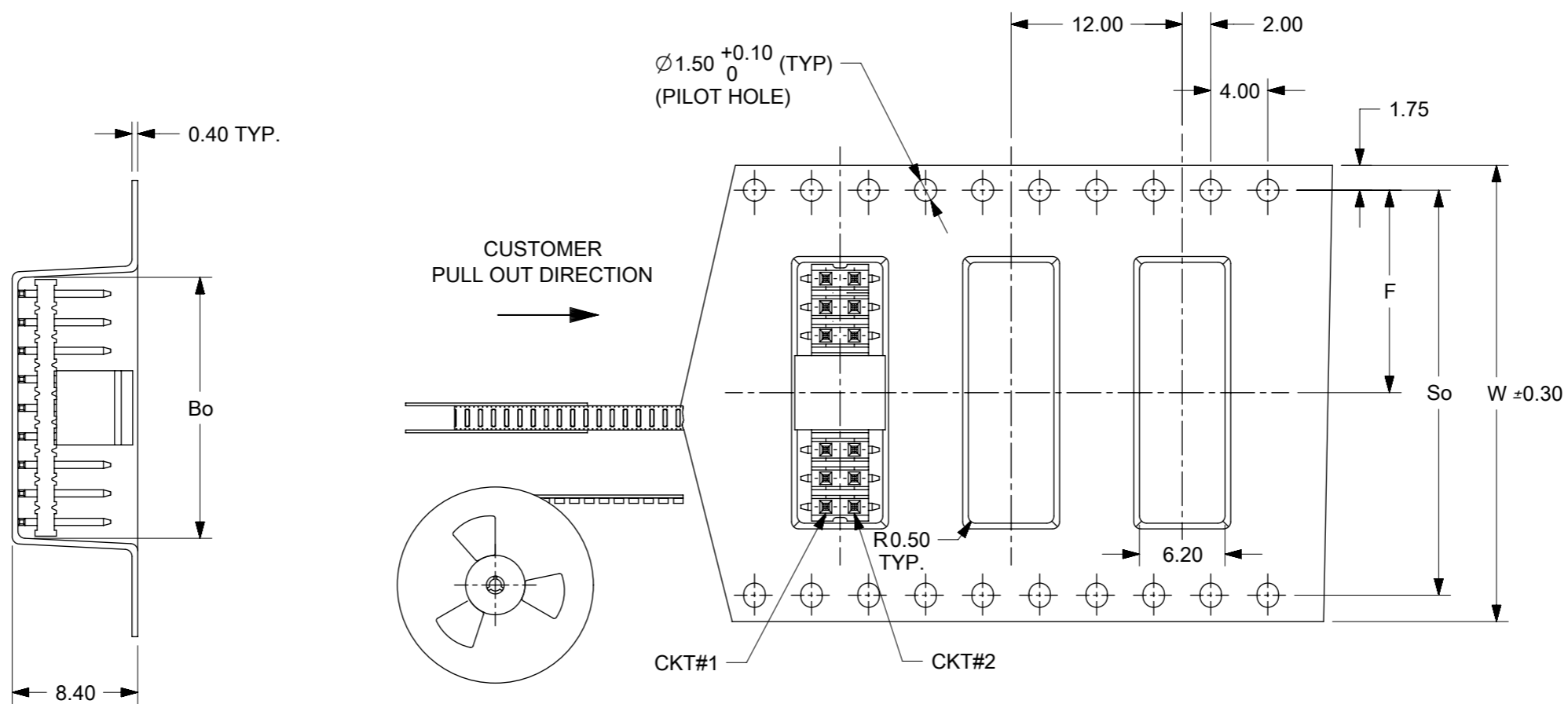
NOTES:

- 12. LEADER AND TRAILER TAPE
- 13. PEELING OFF FORCE OF THE TOP TAPE: 20 - 80gf.  
 (PEELING DIRECTION AS SHOWN IN FOLLOWING FIGURE)
- 14. PACKAGING STANDARD IS AS PER EIA-481.
- 15. TAPE & REEL QUANTITY = SEE TABLE
- 16. THE TAPE IS TREATED FOR ANTI-STATIC

THIS DRAWING CONTAINS INFORMATION THAT IS PROPRIETARY TO MOLEX ELECTRONIC TECHNOLOGIES, LLC AND SHOULD NOT BE USED WITHOUT WRITTEN PERMISSION									
DIMENSION UNITS		SCALE		CURRENT REV DESC: ADD 87759-3279				<b>molex</b>	
mm		NTS							
GENERAL TOLERANCES (UNLESS SPECIFIED)									
		MM		INCH					
4 PLACES		±		±		EC NO: 174700			
3 PLACES		±		±		DRWN: NVELUSAMY 2017/12/28			
2 PLACES		± 0.2		±		CHK'D: SCS02 2018/04/06			
1 PLACE		±		±		APPR: ISHWARG 2018/04/18			
0 PLACES		±		±		INITIAL REVISION:			
ANGULAR TOL		± 3.0°		± 3.0°		DRWN: KSEE 2003/12/12			
						APPR: SKTOH 2004/01/12			
DRAFT WHERE APPLICABLE MUST REMAIN WITHIN DIMENSIONS				THIRD ANGLE PROJECTION		DRAWING		SERIES	
						A3-SIZE		87759	
DOCUMENT NUMBER		DOC TYPE		DOC PART		REVISION			
SD-87759-117		PSD		001		B10			
MATERIAL NUMBER		CUSTOMER		SHEET NUMBER					
SEE TABLE		GENERAL MARKET		3 OF 8					

DOCUMENT STATUS	P1	RELEASE DATE	2018/04/18	05:28:02
-----------------	----	--------------	------------	----------

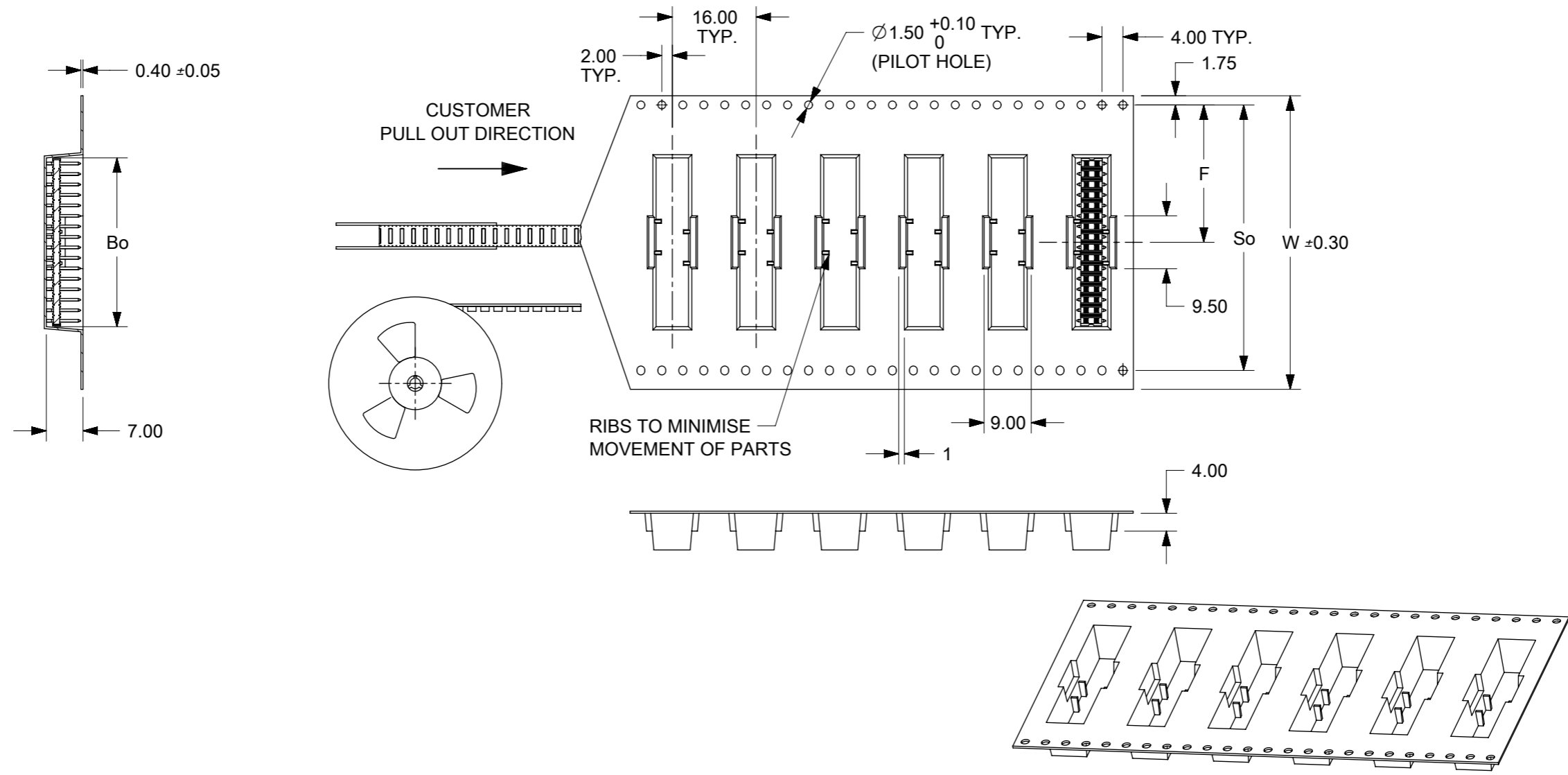
# EMBOSED CARRIER TAPE TYPE "B"



THIS DRAWING CONTAINS INFORMATION THAT IS PROPRIETARY TO MOLEX ELECTRONIC TECHNOLOGIES, LLC AND SHOULD NOT BE USED WITHOUT WRITTEN PERMISSION									
DIMENSION UNITS		SCALE		CURRENT REV DESC: ADD 87759-3279					
mm		NTS							
GENERAL TOLERANCES (UNLESS SPECIFIED)									
		MM	INCH	EC NO: 174700 DRWN: NVELUSAMY 2017/12/28 CHK'D: SCS02 2018/04/06 APPR: ISHWARG 2018/04/18 INITIAL REVISION: DRWN: KSEE 2003/12/12 APPR: SKTOH 2004/01/12					
4 PLACES	±								
3 PLACES	±								
2 PLACES	±	0.2							
1 PLACE	±								
0 PLACES	±			DOCUMENT NUMBER		DOC TYPE	DOC PART	REVISION	
ANGULAR TOL		± 3.0°		SD-87759-117		PSD	001	B10	
DRAFT WHERE APPLICABLE MUST REMAIN WITHIN DIMENSIONS		THIRD ANGLE PROJECTION		DRAWING	SERIES	MATERIAL NUMBER	CUSTOMER	SHEET NUMBER	
				A3-SIZE	87759	SEE TABLE	GENERAL MARKET	4 OF 8	

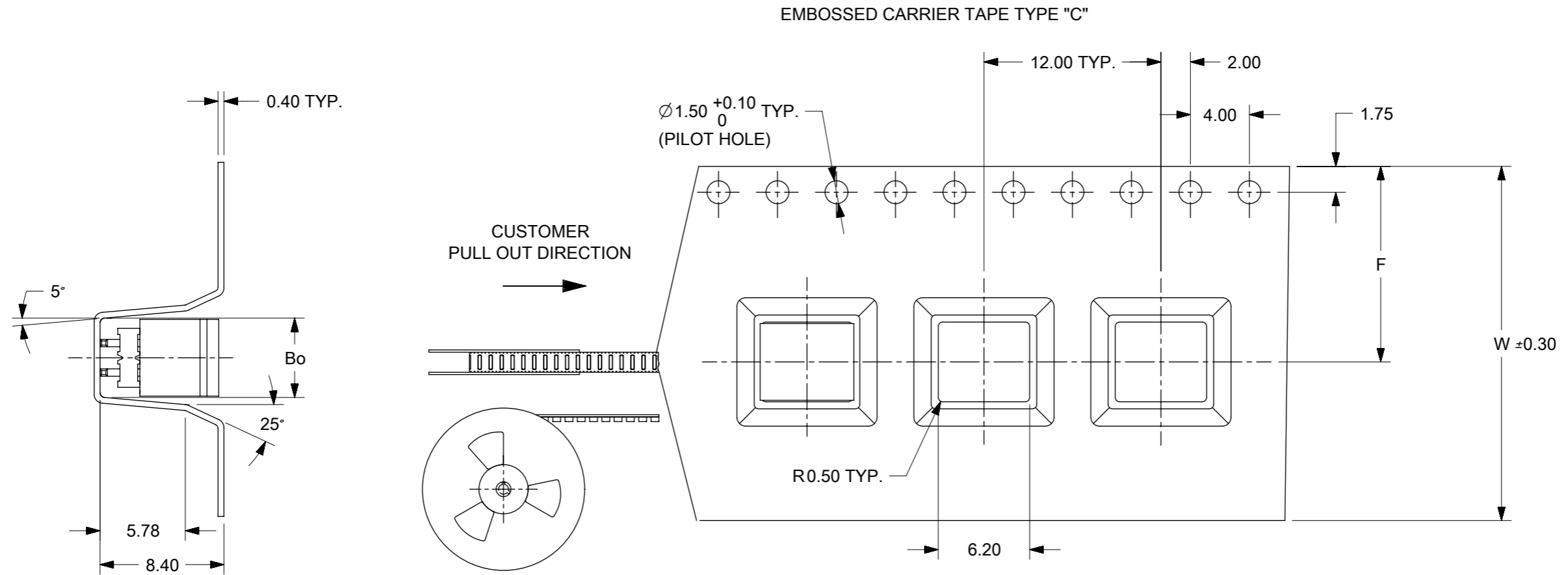


# EMBOSSED CARRIER TAPE TYPE 'B1'



THIS DRAWING CONTAINS INFORMATION THAT IS PROPRIETARY TO MOLEX ELECTRONIC TECHNOLOGIES, LLC AND SHOULD NOT BE USED WITHOUT WRITTEN PERMISSION											
DIMENSION UNITS		SCALE		CURRENT REV DESC: ADD 87759-3279						<b>molex</b>	
mm		NTS									
GENERAL TOLERANCES (UNLESS SPECIFIED)				EC NO: 174700		DRWN: NVELUSAMY		2017/12/28		CUSTOMER	
				DRWN: KSEE		2003/12/12		MATERIAL NUMBER		SD-87759-117	
4 PLACES ±				APP: ISHWARG		2018/04/06		CUSTOMER		GENERAL MARKET	
3 PLACES ±				INITIAL REVISION:		DRWN: KSEE		DOCUMENT NUMBER		PSD 001 B10	
2 PLACES ± 0.2				APP: SKTOH		2004/01/12		DOC TYPE		001 B10	
1 PLACE ±				DRAFT WHERE APPLICABLE MUST REMAIN WITHIN DIMENSIONS		THIRD ANGLE PROJECTION		DRAWING		A3-SIZE	
0 PLACES ±				ANGULAR TOL ± 3.0°		SERIES		MATERIAL NUMBER		SEE TABLE	
						87759		CUSTOMER		GENERAL MARKET	
DOCUMENT STATUS				P1		RELEASE DATE		2018/04/18		05:28:02	
SHEET NUMBER				5 OF 8							

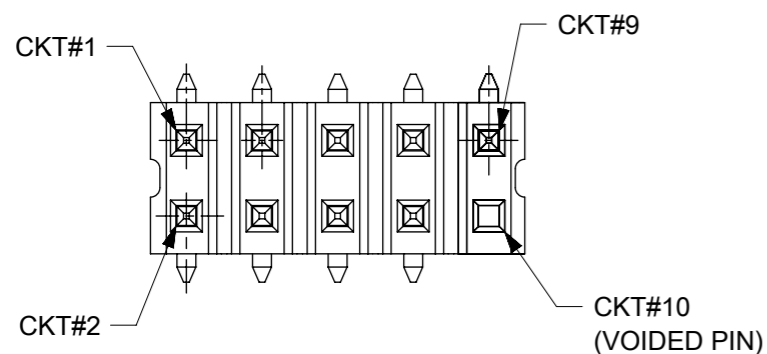
**EMBOSSED CARRIER TAPE TYPE "C"**  
 THIS TYPE OF CARRIER IS FOR CKT SIZE 8 AND BELOW.



THIS DRAWING CONTAINS INFORMATION THAT IS PROPRIETARY TO MOLEX ELECTRONIC TECHNOLOGIES, LLC AND SHOULD NOT BE USED WITHOUT WRITTEN PERMISSION									
DIMENSION UNITS		SCALE		CURRENT REV DESC: ADD 87759-3279				<b>molex</b>	
mm		NTS							
GENERAL TOLERANCES (UNLESS SPECIFIED)				EC NO: 174700		CUSTOMER		CUSTOMER	
				DRWN: NVELUSAMY		2017/12/28		MGRID, 2MM DUAL ROW HDR. SMT	
4 PLACES		±		CHK'D: SCS02		2018/04/06		PRODUCT CUSTOMER DRAWING	
3 PLACES		±		APPR: ISHWARG		2018/04/18		DOCUMENT NUMBER	
2 PLACES		± 0.2		INITIAL REVISION:		2003/12/12		SD-87759-117	
1 PLACE		±		DRWN: KSEE		2004/01/12		DOC TYPE	
0 PLACES		±		APPR: SKTOH		2004/01/12		PSD	
ANGULAR TOL		± 3.0°		DRAFT WHERE APPLICABLE MUST REMAIN WITHIN DIMENSIONS		THIRD ANGLE PROJECTION		DOC PART	
						DRAWING		REVISION	
						A3-SIZE		001	
						SERIES		B10	
						MATERIAL NUMBER		SHEET NUMBER	
						87759		6 OF 8	
						SEE TABLE		GENERAL MARKET	

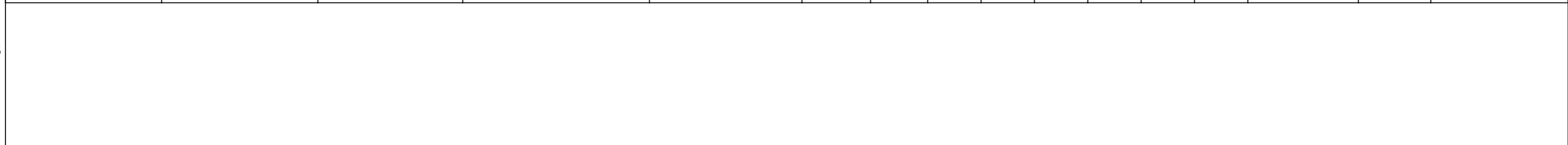
9	8	7	6	5	4	3	2	1							
PART NUMBER WITHOUT CAP IN TRAY	PART NUMBER WITHOUT CAP IN TUBE	PART NUMBER WITH CAP IN TUBE	PART NUMBER WITH CAP IN TAPE AND REEL.	PART NUMBER WITHOUT CAP IN TAPE AND REEL.	CKT SIZE	VOID CKTS	A	B	Bo	F	So	W	EMBOSSSED TYPE	QTY/ REEL	PLATING OPTION
87759-0414	-	87759-0464	87759-0474	-	4 $\frac{\Delta}{9}$	-	NA	2.00	5.20	11.50	-	24.00	C	750	
-	87759-0614	87759-0664	87759-0674	-	6 $\frac{\Delta}{9}$	-	NA	4.00	7.20	11.50	-	24.00	C		
-	87759-0814	87759-0864	87759-0874	-	8	-	7.90	6.00	8.20	11.50	-	24.00	C		
-	87759-1014	87759-1064	87759-1074	-	10	-	9.90	8.00	10.20	11.50	-	24.00	A		
-	87759-1002	87759-1003	87759-1004	-	10	10 $\frac{\Delta}{A}$	9.90	8.00	10.20	11.50	-	24.00	A		
-	87759-1214	87759-1264	87759-1274	-	12	-	11.90	10.00	12.20	11.50	-	24.00	A		
-	87759-1414	87759-1464	87759-1474	-	14	-	13.90	12.00	14.20	11.50	-	24.00	A		
-	87759-1614	87759-1664	87759-1674	-	16	-	15.90	14.00	16.20	14.20	28.40	32.00	B		
-	87759-1814	87759-1864	87759-1874	-	18	-	17.90	16.00	18.20	14.20	28.40	32.00	B		
-	87759-2014	87759-2064	87759-2074	-	20	-	19.90	18.00	20.20	14.20	28.40	32.00	B		
-	87759-2214	87759-2264	87759-2274	-	22	-	21.90	20.00	22.20	20.20	40.40	44.00	B		
-	87759-2414	87759-2464	87759-2474	-	24	-	23.90	22.00	24.20	20.20	40.40	44.00	B		
-	87759-2614	87759-2664	87759-2674	-	26	-	25.90	24.00	26.20	20.20	40.40	44.00	B		
-	87759-2814	87759-2864	87759-2874	-	28	-	27.90	26.00	28.20	20.20	40.40	44.00	B		
-	87759-3014	87759-3064	87759-3074	-	30	-	29.90	28.00	30.20	20.20	40.40	44.00	B		
-	87759-3214	87759-3264	87759-3274	-	32	-	31.90	30.00	32.20	20.20	40.40	56.00	B		
-	-	-	-	B10 87759-3279	32	-	31.90	30.00	32.20	20.20	40.40	46.00	B1	500	
-	87759-3414	87759-3464	87759-3474	-	34	-	33.90	32.00	34.20	26.20	52.40	56.00	B	750	
-	87759-3614	87759-3664	87759-3674	-	36	-	35.90	34.00	36.20	26.20	52.40	56.00	B		
-	-	-	87759-3679	-	36	-	35.90	34.00	36.20	26.20	52.40	56.00	B1	500	
-	87759-3814	87759-3864	87759-3874	-	38	-	37.90	36.00	38.20	26.20	52.40	56.00	B		
-	87759-4014	87759-4064	87759-4074	-	40	-	39.90	38.00	40.20	26.20	52.40	56.00	B		
-	87759-4214	87759-4264	87759-4274	-	42	-	41.90	40.00	42.20	26.20	52.40	56.00	B		
-	87759-4414	87759-4464	87759-4474	-	44	-	43.90	42.00	44.20	26.20	52.40	56.00	B		
-	87759-4614	87759-4664	87759-4674	-	46	-	45.90	44.00	46.20	26.20	52.40	56.00	B		
-	87759-4814	87759-4864	87759-4874	-	48	-	47.90	46.00	48.20	26.20	52.40	56.00	B		
-	87759-5014	87759-5064	87759-5074	-	50	-	49.90	48.00	50.20	34.20	68.40	72.00	B		
-	87759-6814	87759-6864	87759-6874	-	8	-	7.90	6.00	8.20	11.50	-	24.00	C	3	

$\Delta$  NOTES:  
VOIDED PIN CKT#10



THIS DRAWING CONTAINS INFORMATION THAT IS PROPRIETARY TO MOLEX ELECTRONIC TECHNOLOGIES, LLC AND SHOULD NOT BE USED WITHOUT WRITTEN PERMISSION															
DIMENSION UNITS		SCALE		CURRENT REV DESC: ADD 87759-3279											
mm		NTS		<p>CUSTOM HEADER MGRID, 2MM DUAL ROW HDR. SMT</p> <p>PRODUCT CUSTOMER DRAWING</p>											
GENERAL TOLERANCES (UNLESS SPECIFIED)															
		MM	INCH												
4 PLACES	±		±												
3 PLACES	±		±												
2 PLACES	±	0.2	±												
1 PLACE	±		±												
0 PLACES	±		±												
ANGULAR TOL ± 3.0°				EC NO: 174700		DRWN: NVELUSAMY		2017/12/28		CHK'D: SCS02		2018/04/06			
DRAFT WHERE APPLICABLE MUST REMAIN WITHIN DIMENSIONS				THIRD ANGLE PROJECTION		DRAWING		SERIES		MATERIAL NUMBER		CUSTOMER			
						A3-SIZE		87759		SEE TABLE		GENERAL MARKET			
DOCUMENT STATUS				P1		RELEASE DATE		2018/04/18		05:28:02		SD-87759-117		PSD 001 B10	
FORMAT: Mel-lega-master-ib-prod-A3				REVISION: D		DATE: 2017/10/08						SHEET NUMBER		7 OF 8	

9	8	7	6	5	4	3	2	1							
PART NUMBER WITHOUT CAP IN TRAY	PART NUMBER WITHOUT CAP IN TUBE	PART NUMBER WITH CAP IN TUBE	PART NUMBER WITH CAP IN TAPE AND REEL.	PART NUMBER WITHOUT CAP IN TAPE AND REEL.	CKT SIZE	VOID CKTS	A	B	Bo	F	So	W	EMBOSSED TYPE	QTY/ REEL	PLATING OPTION
87759-0415	-	87759-0465	87759-0475	-	4 $\frac{\Delta}{9}$	-	3.90 ±0.38	2.00	5.40	11.50	-	24.00	C	750	1
-	87759-0615	87759-0665	87759-0675	-	6 $\frac{\Delta}{9}$	-	5.90 ±0.38	4.00	7.20	11.50	-	24.00	C		
-	87759-0815	87759-0865	87759-0875	-	8	-	7.90	6.00	8.20	11.50	-	24.00	C		
-	87759-1015	87759-1065	87759-1075	-	10	-	9.90	8.00	10.20	11.50	-	24.00	A		
-	87759-1215	87759-1265	87759-1275	-	12	-	11.90	10.00	12.20	11.50	-	24.00	A		
-	87759-1415	87759-1465	87759-1475	-	14	-	13.90	12.00	14.20	11.50	-	24.00	A		
-	87759-1615	87759-1665	87759-1675	-	16	-	15.90	14.00	16.20	14.20	28.40	32.00	B		
-	87759-1815	87759-1865	87759-1875	-	18	-	17.90	16.00	18.20	14.20	28.40	32.00	B		
-	87759-2015	87759-2065	87759-2075	-	20	-	19.90	18.00	20.20	14.20	28.40	32.00	B		
-	87759-2215	87759-2265	87759-2275	-	22	-	21.90	20.00	22.20	20.20	40.40	44.00	B		
-	87759-2415	87759-2465	87759-2475	-	24	-	23.90	22.00	24.20	20.20	40.40	44.00	B		
-	87759-2615	87759-2665	87759-2675	-	26	-	25.90	24.00	26.20	20.20	40.40	44.00	B		
-	87759-2815	87759-2865	87759-2875	-	28	-	27.90	26.00	28.20	20.20	40.40	44.00	B		
-	87759-3015	87759-3065	87759-3075	-	30	-	29.90	28.00	30.20	20.20	40.40	44.00	B		
-	87759-3215	87759-3265	87759-3275	-	32	-	31.90	30.00	32.20	20.20	40.40	44.00	B		
-	87759-3415	87759-3465	87759-3475	-	34	-	33.90	32.00	34.20	26.20	52.40	56.00	B		
-	87759-3615	87759-3665	87759-3675	-	36	-	35.90	34.00	36.20	26.20	52.40	56.00	B		
-	87759-3815	87759-3865	87759-3875	-	38	-	37.90	36.00	38.20	26.20	52.40	56.00	B		
-	87759-4015	87759-4065	87759-4075	-	40	-	39.90	38.00	40.20	26.20	52.40	56.00	B		
-	87759-4215	87759-4265	87759-4275	-	42	-	41.90	40.00	42.20	26.20	52.40	56.00	B		
-	87759-4415	87759-4465	87759-4475	-	44	-	43.90	42.00	44.20	26.20	52.40	56.00	B		
-	87759-4615	87759-4665	87759-4675	-	46	-	45.90	44.00	46.20	26.20	52.40	56.00	B		
-	87759-4815	87759-4865	87759-4875	-	48	-	47.90	46.00	48.20	26.20	52.40	56.00	B		
-	87759-5015	87759-5065	87759-5075	-	50	-	49.90	48.00	50.20	34.20	68.40	72.00	B		



THIS DRAWING CONTAINS INFORMATION THAT IS PROPRIETARY TO MOLEX ELECTRONIC TECHNOLOGIES, LLC AND SHOULD NOT BE USED WITHOUT WRITTEN PERMISSION															
DIMENSION UNITS		SCALE		CURRENT REV DESC: ADD 87759-3279											
mm		NTS													
GENERAL TOLERANCES (UNLESS SPECIFIED)															
		MM	INCH	<b>CUSTOM HEADER</b> MGRID, 2MM DUAL ROW HDR. SMT  <b>PRODUCT CUSTOMER DRAWING</b>											
4 PLACES	±		±												
3 PLACES	±		±												
2 PLACES	±	0.2	±												
1 PLACE	±		±												
ANGULAR TOL		± 3.0°		<b>INITIAL REVISION:</b> DRWN: KSEE 2003/12/12 APPR: SKTOH 2004/01/12				<b>DOCUMENT NUMBER</b> SD-87759-117				DOC TYPE	DOC PART	REVISION	
DRAFT WHERE APPLICABLE MUST REMAIN WITHIN DIMENSIONS		THIRD ANGLE PROJECTION		DRAWING		SERIES		MATERIAL NUMBER		CUSTOMER		SHEET NUMBER			
				A3-SIZE		87759		SEE TABLE		GENERAL MARKET		8 OF 8			

DOCUMENT STATUS	P1	RELEASE DATE	2018/04/18	05:28:02
-----------------	----	--------------	------------	----------