



产品编号 : 987841011

Product Description : NSCC Receptacle Connector 3.33mm Pitch, 1.50mm, Shorting Bar, Short, 5 Circuits, Black

系列号 : 98784

状态 : New Business Not Supported

Product Category : Connector Housings



文件和资源

产物环境合规

合规

GADSL/IMDS	Compliant
China RoHS	Not Relevant
EU ELV	Compliant per 2000/53/EC
Low-Halogen Status	Low-Halogen per IEC 61249-2-21
REACH SVHC	Not Contained per D(2023)3788-DC (14 Jun 2023)
EU RoHS	Compliant per EU 2015/863

多部分产品合规性声明

- Eu RoHS
- REACH SVHC
- Low-Halogen

多部分行业合规性文件

- IPC 1752A Class C
- IPC 1752A Class D
- Molex Product Compliance Declaration
- IEC-62474
- chemSHERPA (xml)

欧盟 RoHS 合格证书

产品详情

常规

状态	New Business Not Supported
----	----------------------------

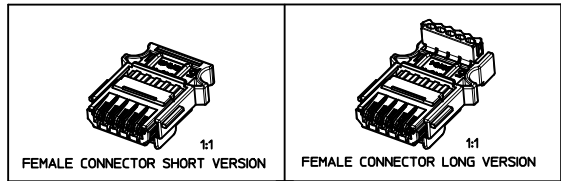
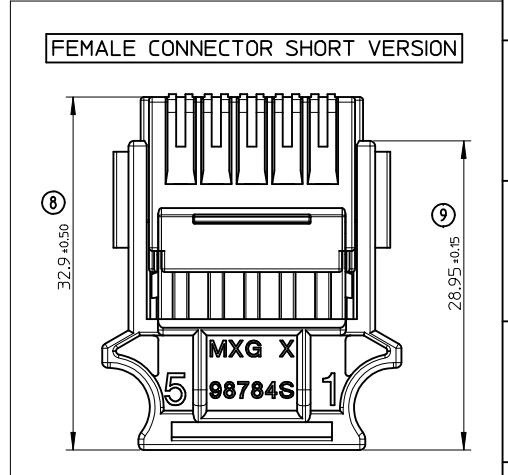
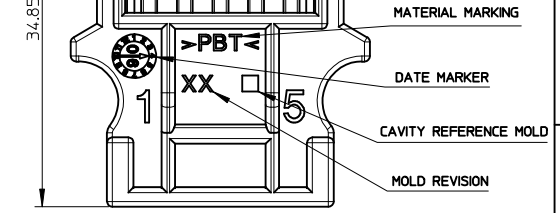
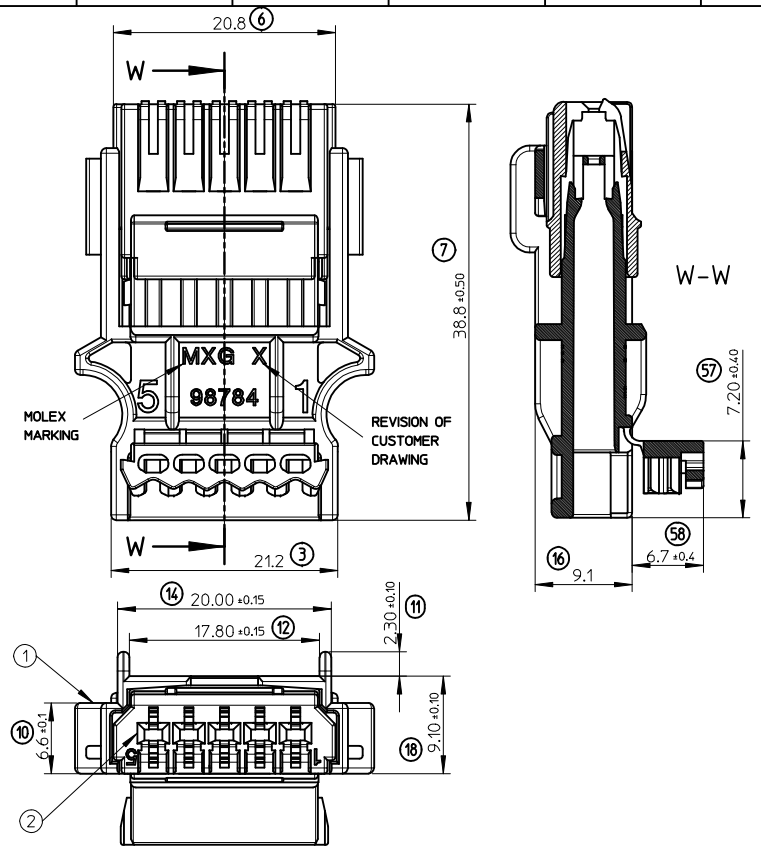
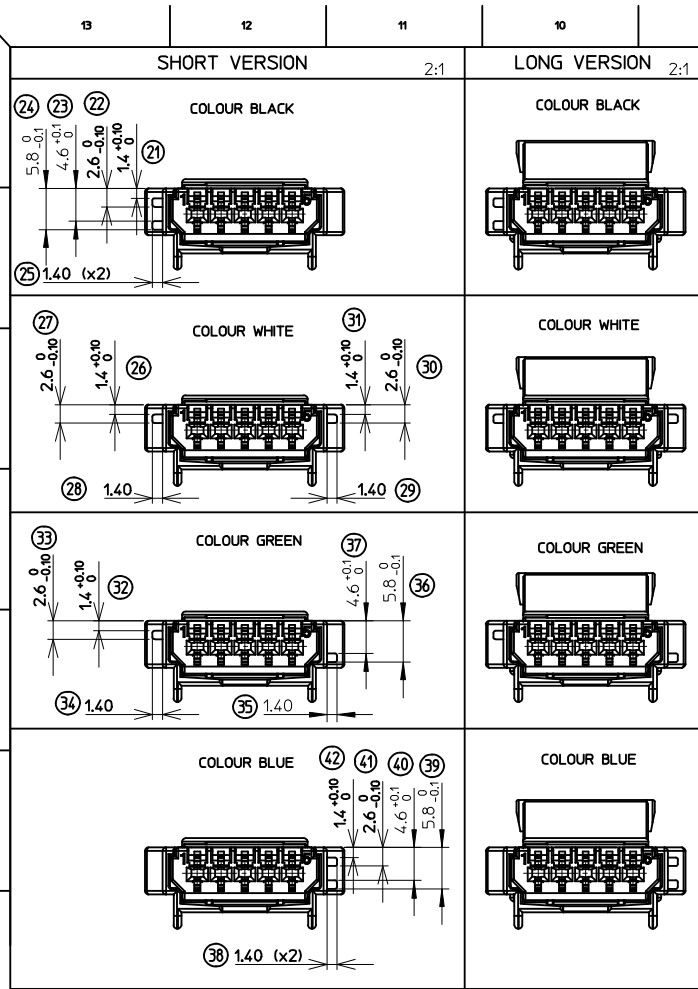
类别	Connector Housings
系列	98784
说明	NSCC Receptacle Connector 3.33mm Pitch, 1.50mm, Shorting Bar, Short, 5 Circuits, Black
应用	Wire-to-Wire
产品名称	NSCC
UPC	822350574020

物理

电路详图	5
电路数 (最多)	5
颜色-树脂	黑色
性别	Receptacle
符合灼热丝规范	否
锁定插接部位	是
材料 - 树脂	PBT
净重	3.930/g
行数	1
包装形式	Carton
面板安装式	否
间距 - 插配接口	3.33mm
有极性的插配件	是
可堆叠的	否
运行温度范围	-40° to +85° C

进程

无铅	不适用
----	-----



0987841014	FEMALE HOUSING SHORT VERSION	BLUE	0987811014
0987841015	FEMALE HOUSING SHORT VERSION	GREEN	0987811015
0987841012	FEMALE HOUSING SHORT VERSION	WHITE	0987811012
0987841011	FEMALE HOUSING SHORT VERSION	BLACK	0987811011
0987841004	FEMALE HOUSING LONG VERSION	BLUE	0987811004
0987841003	FEMALE HOUSING LONG VERSION	GREEN	0987811003
0987841002	FEMALE HOUSING LONG VERSION	WHITE	0987811002
0987841001	FEMALE HOUSING LONG VERSION	BLACK	0987811001
MOLEX PART NUMBER	DESIGNATION / VERSION	COLOURS / COLOUR	MALE HOUSING ASSOCIATED

NOTES :

- 1-FOR ILLUSTRATION PURPOSE THE FEMALE CONNECTOR LONG SHOWN IS THE WHITE VERSION (0987841002).
- 2-APPLICATION SPECIFICATION :AS-98784-005.
- 3-PART WEIGHT LONG VERSION: 4.9 g.
PART WEIGHT SHORT VERSION: 4.2 g.
- 4-PACKAGING SPECIFICATION : PK-98784-001

FIRST RELEASE EC NO: G2009-0290 DRAWN:VIGUERIN 2009/04/21 CHKD:OPLESSIS 2009/04/27 APPR:CBDOUCHAN 2009/04/28	GENERAL TOLERANCES (UNLESS SPECIFIED)		DIMENSION STYLE	SCALE	DESIGN UNITS	FIRST ANGLE PROJECTION
	4 PLACES ± ---	± ---	MM ONLY	3:1	METRIC	
REV 1	3 PLACES ± ---	± ---	DRAWN BY	DATE	TITLE	
	2 PLACES ± 0.10	± ---	VIGUERIN	2009/03/27	FEMALE MODULE 5 WAY SALES DRAWING	
DESCRIPTION	1 PLACE ± 0.15	± ---	CHECKED BY	DATE	APPROVED BY	
	ANGULAR ± 2 °		OPLESSIS	2009/03/30	DATE	
1	DRAFT WHERE APPLICABLE MUST REMAIN WITHIN DIMENSIONS		APPROVED BY	DATE	MATERIAL NO.	
			CBDOUCHAN	2009/03/30	DOCUMENT NO.	
			SEE CHART		SD-98784-001	
			THIS DRAWING CONTAINS INFORMATION THAT IS PROPRIETARY TO MOLEX INCORPORATED AND SHOULD NOT BE USED WITHOUT WRITTEN PERMISSION		SHEET NO. 1 OF 1	