



产品编号：[988221040](#)

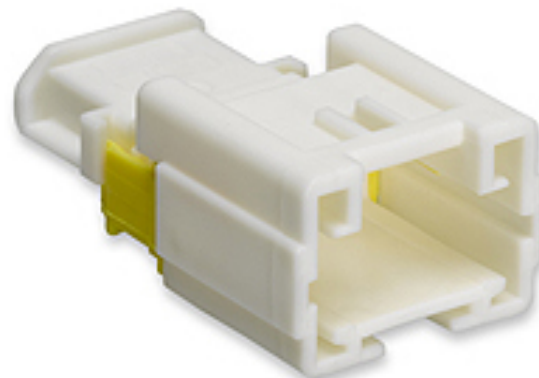
Product Description：NSCC 3.33mm Pitch  
Male Pin Connector, Non-Sealed, 4  
Circuits, White

系列号：98822

状态：Active

Product Category：Connector Housings

工程编号：07719EV4F9



---

## 文件和资源

### 图纸

[图纸 988221040\\_sd.pdf](#)

[包装设计图 PK-31301-635-001.pdf](#)

### 3D 模型和设计文件

[3D模型 988221040\\_stp.zip](#)

### 规格

[应用规格 988210001-PS-CH-001.pdf](#)

[应用规格 988210001-AS-CH-001.pdf](#)

[产品规格 PS-98821-001-001.pdf](#)

---

## 产物环境合规

### 合规

GADSL/IMDS	Duty-To-Declare
China RoHS	Not Relevant
EU ELV	Compliant per 2000/53/EC
Low-Halogen Status	Not Relevant
REACH SVHC	Not Contained per D(2023)3788-DC (14 Jun 2023)
EU RoHS	Compliant per EU 2015/863

### 多部分产品合规性声明

- Eu RoHS

- REACH SVHC

- Low-Halogen

多部分行业合规性文件

- IPC 1752A Class C

- IPC 1752A Class D

- Molex Product Compliance Declaration

- IEC-62474

- chemSHERPA (xml)

欧盟 RoHS 合格证书

---

## 产品详情

### 常规

状态	活动
类别	Connector Housings
系列	98822
说明	NSCC 3.33mm Pitch Male Pin Connector, Non-Sealed, 4 Circuits, White
应用	Wire-to-Wire
产品系列	NSCC - New Standard Casing Contact
产品名称	NSCC
UPC	822348761050

### 电气

每触点最大电流	10.0A
---------	-------

### 物理

电路详图	4
电路数 (最多)	4
颜色-树脂	白色
性别	Plug
符合灼热丝规范	否
锁定插接部位	是
材料 - 树脂	PBT
净重	5.410/g
行数	1

包装形式	Carton
面板安装式	否
间距 - 插配接口	3.33mm
有极性的插配件	是
可堆叠的	否
运行温度范围	-40° to +85° C

## 进程

无铅	不适用
----	-----

---

## 可配插/可连接使用的产品

### 可配插部件

描述	产品编号
NSCC Single Part Unsealed Female Housings	<u>98817</u>

### 可连接使用部件

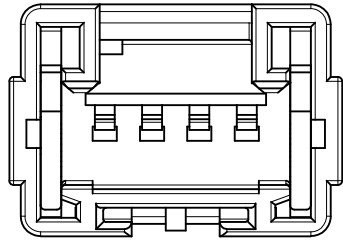
描述	产品编号
可装的端子等部件	1.50mm Size FCI SICMA Male Terminal

---

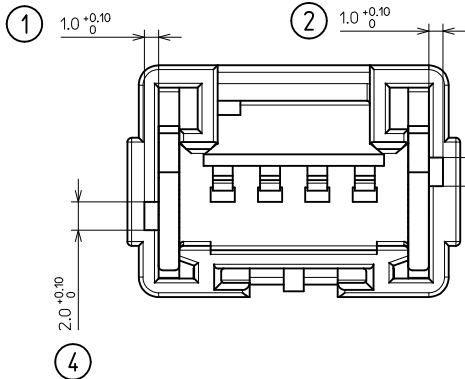
## 施工工具

### 全局

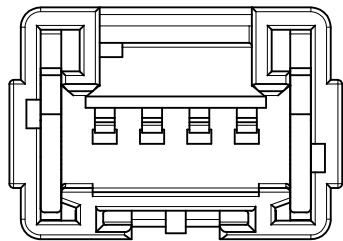
描述	产品编号
Extractor Tool for Unsealed Receptacle Connectors	<u>0638133800</u>



WHITE CODING  
P/N 0988221040



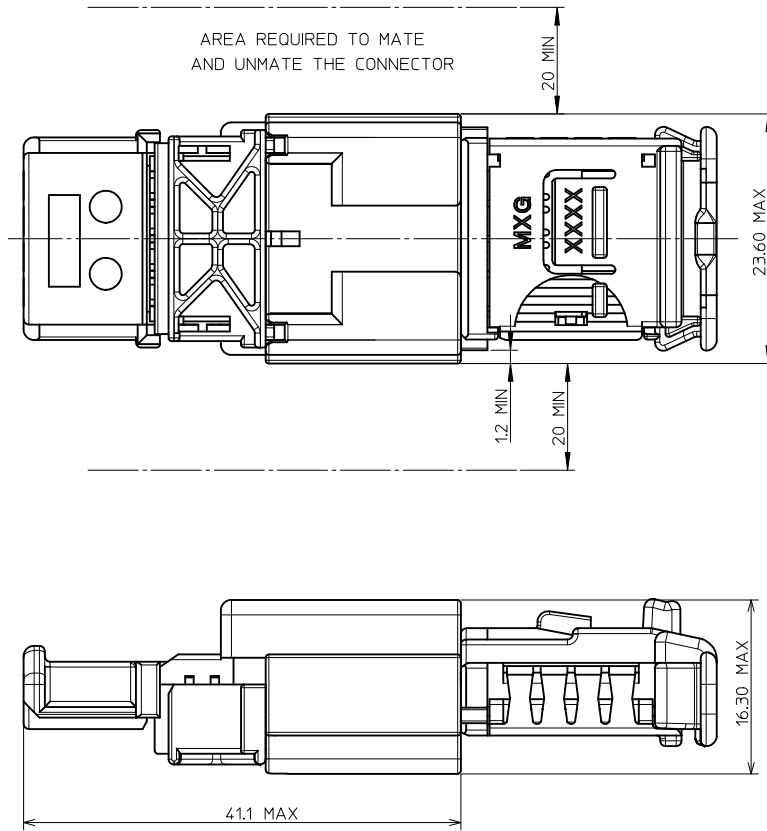
BLACK CODING  
P/N 0988221041



GREEN CODING  
P/N 0988221045

CODING 4:1

HANDLING AREA

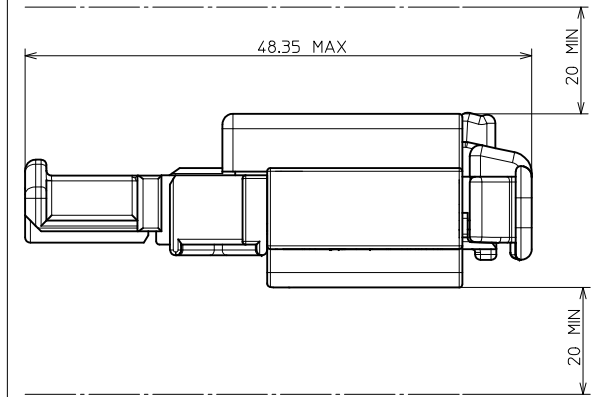


NOTE : 1 - The using conditions are shown in the MOLEX specification n°AS-98821-001.

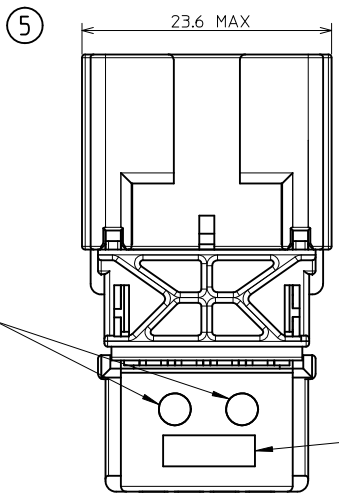
2 - Male terminal used : SICMA 3 1.5mm

3 - Male connector will mate with female connector P/N 098817104x

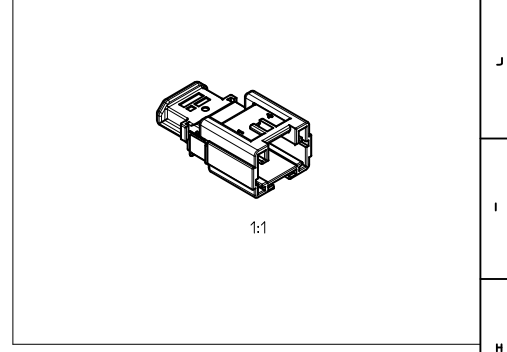
AREA REQUIRED WHEN THE CONNECTOR IS MATED



<b>FIRST RELEASE</b> EC NO: G2012-0092 DRAWN: LPOUCHAUD 2009/03/02 CHKD: VLOUAS 2012/01/09 APPR: OPLESSIS 2012/01/31	QUALITY SYMBOLS ▽=0 ▽=0 ▽=0	GENERAL TOLERANCES (UNLESS SPECIFIED)		DIMENSION STYLE <b>MM ONLY</b>	SCALE <b>3:1</b>	DESIGN UNITS <b>METRIC</b>	FIRST ANGLE PROJECTION	
		4 PLACES ± --- ± ---	mm INCH	DRAWN BY LPOUCHAUD	DATE 2009/03/02	TITLE <b>NSCC PIN CONN 1.5 4KT</b>		
		3 PLACES ± --- ± ---		CHECKED BY YIGEL	DATE 2009/03/02	MOLEX INCORPORATED		
		2 PLACES ± --- ± ---		APPROVED BY OPLESSIS	DATE 2012/01/31	MATERIAL NO. <b>SEE SHEET 2</b>	DOCUMENT NO. <b>SD-98822-005</b>	SHEET NO. <b>1 OF 2</b>
		1 PLACE ± 0.1 ± ---	ANGULAR ± 1 °	THIS DRAWING CONTAINS INFORMATION THAT IS PROPRIETARY TO MOLEX INCORPORATED AND SHOULD NOT BE USED WITHOUT WRITTEN PERMISSION				
DRAFT WHERE APPLICABLE MUST REMAIN WITHIN DIMENSIONS								

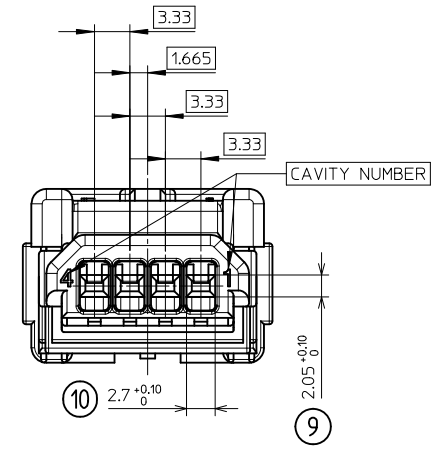
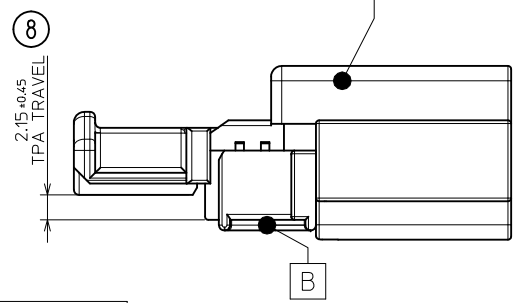
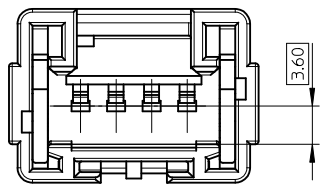
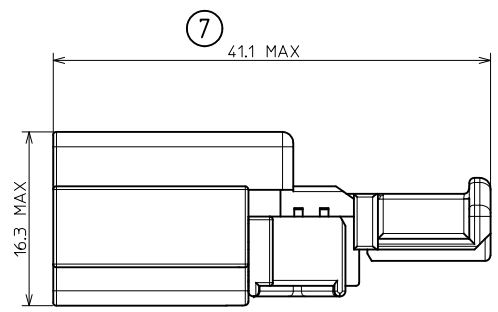


0988221045	GREEN
0988221041	BLACK
0988221040	WHITE
PART NUMBER ASSEMBLY PART	COLOR



DATUM MONTH/YEAR

SUPPLIER ENGINEERING CONTROL ID



SUPPLIER PART NUMBER

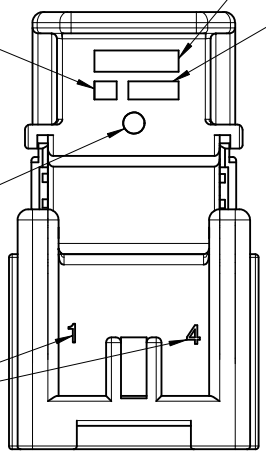
PRINT NUMBER

RAW MATERIAL

BLACK CODING (P/N 0988221041) IS SHOWN.

SUPPLIER MODIFICATION LEVEL

CAVITY NUMBER



B	SCC Pin Conn 1.5x0.8 TPA 4Ckt	0988220144	Yellow	POLYAMIDE >PA66-GF20<	5.370	
A	SCC Pin Conn Unsealed 1.5x0.8 4Ckt	0988220045	Green	POLYESTER >PBT<		
		0988220041	Black			
		0988220040	White			
Item	Description	Part-number	Color	Raw Material	Weight effective (g)	
FIRST RELEASE EC NO: G2012-0092 DRAWN: LPOUCHAUD 2009/03/02 CHKD: VJOUAS 2012/01/31 APPR: OPLESSIS 2012/01/31	QUALITY SYMBOLS ▽=0 ▽=0 ▽=0	GENERAL TOLERANCES (UNLESS SPECIFIED) mm INCH 4 PLACES ± --- ± --- 3 PLACES ± --- ± --- 2 PLACES ± --- ± --- 1 PLACE ± 0.1 ± --- ANGULAR ± 1°	DIMENSION STYLE MM ONLY	SCALE 3:1	DESIGN UNITS METRIC	FIRST ANGLE PROJECTION
	DRAFT WHERE APPLICABLE MUST REMAIN WITHIN DIMENSIONS	DRAWN BY LPOUCHAUD	DATE 2009/03/02	TITLE NSSC PIN CONN 1.5 4CKT		
		CHECKED BY YIGEL	DATE 2009/03/02	MOLEX INCORPORATED		
		APPROVED BY OPLESSIS	DATE 2012/01/31	SD-98822-005		
		MATERIAL NO.	DOCUMENT NO.	SHEET NO. 2 OF 2		
		THIS DRAWING CONTAINS INFORMATION THAT IS PROPRIETARY TO MOLEX INCORPORATED AND SHOULD NOT BE USED WITHOUT WRITTEN PERMISSION				