



产品编号 : [988971109](#)

Product Description : NSCC Receptacle
Terminal Size 1.5, Wire Size 0.22 up to
0.44mm²

系列号 : 98897

状态 : Active

Product Category : Crimp Terminals

工程编号 : 2120809CA201H



文件和资源

图纸

[图纸 988971109_sd.pdf](#)

3D 模型和设计文件

[3D模型 988971109_stp.zip](#)

规格

[应用规格 988210001-AS-CH-001.pdf](#)

[应用规格 988210001-PS-CH-001.pdf](#)

[应用规格 988970001-AS-CH-001.pdf](#)

[应用规格 AS-98897-001-001.pdf](#)

[包装规格 PK-98897-001-001.pdf](#)

[产品规格 PS-98821-001-001.pdf](#)

产物环境合规

合规

GADSL/IMDS	Not Relevant
China RoHS	
EU ELV	Compliant per 2000/53/EC
Low-Halogen Status	Low-Halogen per IEC 61249-2-21
REACH SVHC	Not Contained per D(2023)3788-DC (14 Jun 2023)
EU RoHS	Compliant per EU 2015/863

[多部分产品合规性声明](#)

- Eu RoHS
- REACH SVHC
- Low-Halogen

多部分行业合规性文件

- IPC 1752A Class C
- IPC 1752A Class D
- Molex Product Compliance Declaration
- IEC-62474
- chemSHERPA (xml)

欧盟 RoHS 合格证书

产品详情

常规

状态	活动
类别	Crimp Terminals
系列	98897
说明	NSCC Receptacle Terminal Size 1.5, Wire Size 0.22 up to 0.44mm ²
应用	Power, Signal, Wire-to-Wire
产品系列	NSCC – New Standard Casing Contact
产品名称	NSCC
UPC	822348805648

物理

性别	女
材料 – 金属	High Conductivity Copper
材料 – 接合部位电镀	Tin
净重	0.366/g
包装形式	Reel
导线绝缘直径	不适用
线径规格 (AWG)	不适用
线缆尺寸mm ²	0.22–0.44

进程

无铅	不适用
----	-----

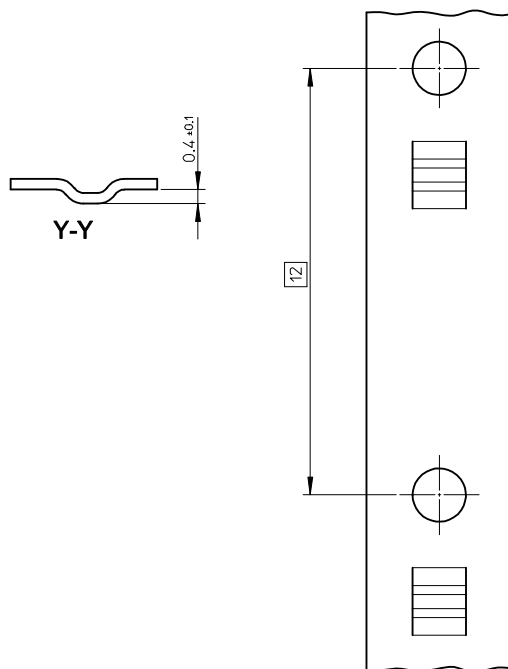
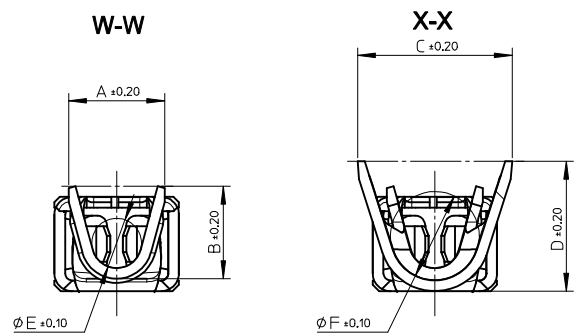
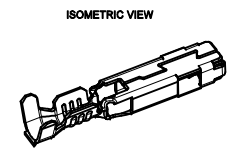
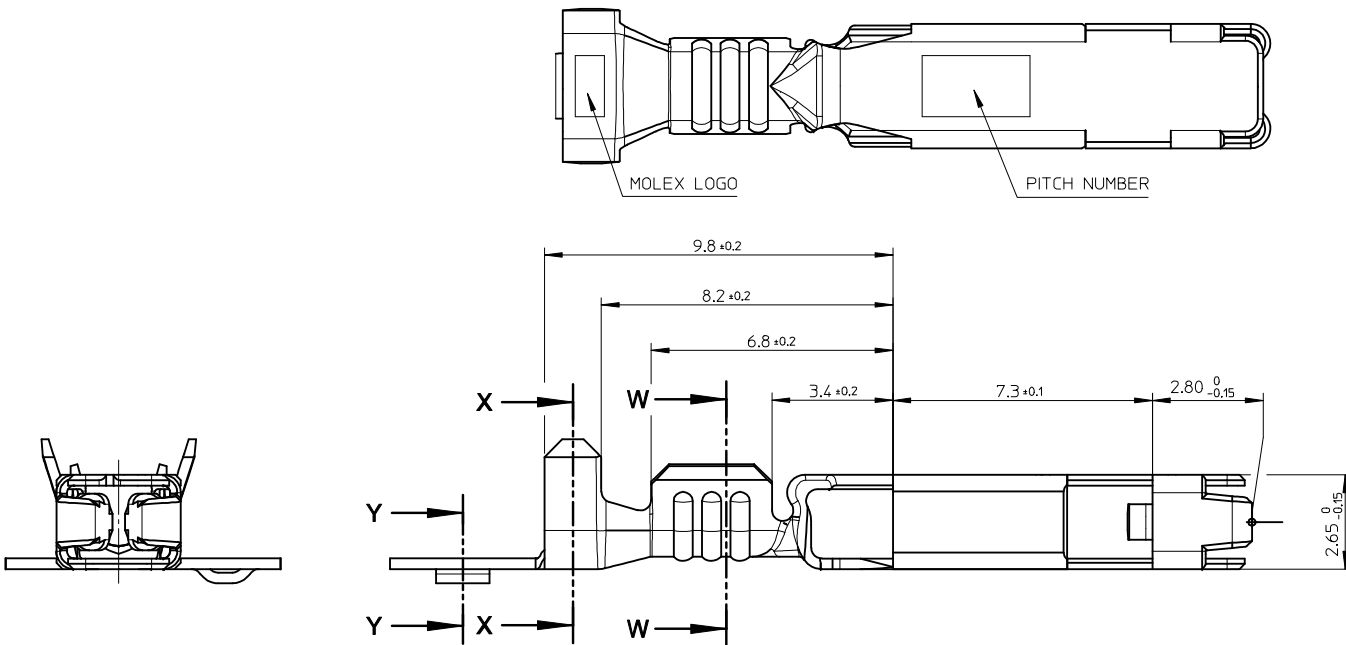
可连接使用部件

描述	产品编号
3.33mm / 6.00mm Pitch Hybrid Inline Female Housings	<u>98273</u>
NSCC Dual Row Unsealed Female Housings	<u>98816</u>
NSCC Single Part Unsealed Female Housings	<u>98817</u>
NSCC Single Part, Unsealed, Hybrid Receptacle Connectors	<u>98821</u>

施工工具

全局

描述	产品编号
Extractor Tool for NSCC 1.50mm Receptacle Terminals	<u>0638134800</u>
TPA Removal Tool	<u>0638135000</u>
Extraction Tool for NSCC 1.50mm Receptacle Terminals	<u>0638135100</u>
Extractor Tool for MOX 0.635mm Receptacle Crimp Terminals	<u>0638139500</u>
Hand Crimp Tool for NSCC 1.5 Receptacle Terminals	<u>0638198600</u>
Extractor Tool for Unlocking Secondary Locking Key (TPA) from NSCC Receptacle Connector	<u>0638246800</u>
FineAdjust Applicator for NSCC 1.5 Receptacle Terminals 0.35mm ² Metric	<u>0639013800</u>



NOTE:
 CRIMPING SPEC : AS-98897-001
 PACKAGING SPEC : PK-98897-001

SPECIFICATIONS			
GRIP CODE	S	M	L
CRIMPING RANGE (MM2)	0.35	0.50 to 1.00	1.50 to 2.00
MOLEX PART NUMBER (P/N*)	0988971109	0988971119	0988971129
PLATING	Pre-plated 2µ Sn min.	Pre-plated 2µ Sn min.	Pre-plated 2µ Sn min.
MATERIAL	HIGH COPPER		
PART WEIGHT (g)	0.3582	0.3778	0.3955
THICKNESS	0.30		
A	2.40	2.70	3.10
B	1.90	2.60	3.50
ØE	1.20	1.40	1.60
C	4.20	4.35	4.70
D	3.30	3.65	4.20
ØF	2.40	2.50	2.70

ENTER DESCRIPTION EC NO: G2015-0067 DRAWN: HERBELIN 2014/11/12 CHKD: DJUCLOS 2014/11/12 APPR: OPLESSIS 2014/11/24	QUALITY SYMBOLS ∇=0 ∇=0 ∇=0	GENERAL TOLERANCES (UNLESS SPECIFIED)		DIMENSION STYLE MM ONLY	SCALE 10:1	DESIGN UNITS METRIC	FIRST ANGLE PROJECTION
		4 PLACES ± --- ± --- 3 PLACES ± --- ± --- 2 PLACES ± 0.10 ± --- 1 PLACE ± 0.10 ± --- 0 PLACE ± 0.10 ± ---	mm INCH	DRAWN BY DATE G. DESBRUERES 2009/11/03	TITLE NSCC 1.5 WIRE TERMINAL		
		ANGULAR ± 2 °		CHECKED BY DATE D. DOS SANTOS 2009/11/03	molex DOCUMENT NO. SD-98897-050		
		DRAFT WHERE APPLICABLE MUST REMAIN WITHIN DIMENSIONS		APPROVED BY DATE OPLESSIS 2010/10/26		SHEET NO. 1 OF 1	