

# NC3FD-H



Universal D-size metal body XLR panel mount series for pcb mount applications. Insert is removable from shell for ease assembling. UL recognized component.

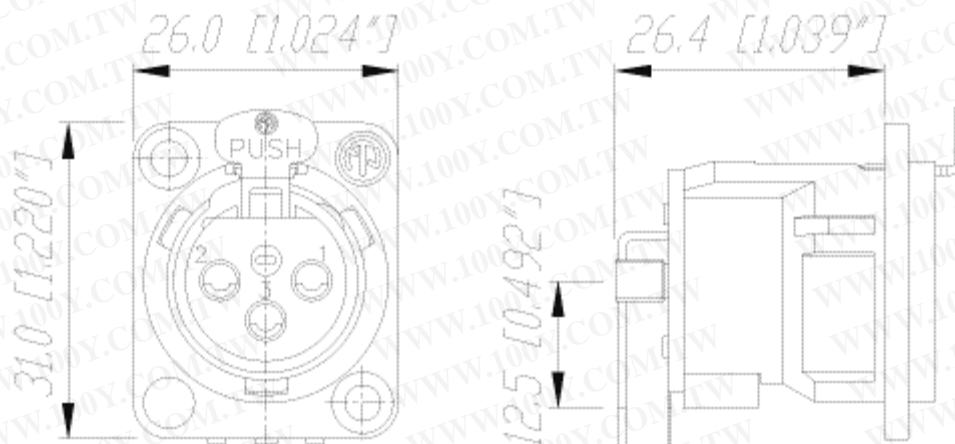
3 pole female receptacle, horizontal PCB mount, Nickel housing, silver contacts

## Features & Benefits

- D-shape metal shell
- Optimal RF protection using 3 shield contacts
- Insert is removable from rear of connector and locked into place by internal latch - permitting assembling and testing of pcb before assembling into housing
- Front or rear panel mount

勝特力材料 886-3-5753170  
勝特力电子(上海) 86-21-54151736  
勝特力电子(深圳) 86-755-83298787  
[Http://www.100y.com.tw](http://www.100y.com.tw)

# NC3FD-H



## Product

Connector Type	XLR
Gender	female

## Electrical

Capacitance between contacts	$\leq 4$ pF
Contact resistance	$\leq 5$ m $\Omega$
Dielectric strength	1,5 kVdc
Insulation resistance	$> 2$ G $\Omega$ (initial)
Insulation resistance	$> 1$ G $\Omega$ (after damp heat test)
Rated current per contact	6 A
Rated voltage	50 V

## Mechanical

Insertion force	$\leq 20$ N
Withdrawal force	$\leq 20$ N
Lifetime	$> 1000$ mating cycles
Wiring	Horizontal PCB mount
Locking device	latch lock
Mounting direction	rear
Chassis shape	D

勝特力材料 886-3-5753170  
勝特力电子(上海) 86-21-54151736  
勝特力电子(深圳) 86-755-83298787  
[Http://www.100y.com.tw](http://www.100y.com.tw)

## Material

Contact plating	2 $\mu$ m Ag over 2 $\mu$ m Ni
Contacts	Bronze (CuSn6)
Insert	Polyamide (PA 6.6 30 % GR)
Locking element	Steel Ck67
Shell	Zinc diecast (ZnAl4Cu1)
Shell plating	Nickel

## Environmental

Approvals	UL
-----------	----

Flammability

UL 94 HB

Standard compliance

IEC 61076-2-103

Protection class

IP 40

Solderability

Complies with IEC 68-2-20

Temperature range

-30 °C to +80 °C

勝特力材料 886-3-5753170

勝特力电子(上海) 86-21-54151736

勝特力电子(深圳) 86-755-83298787

[Http://www.100y.com.tw](http://www.100y.com.tw)