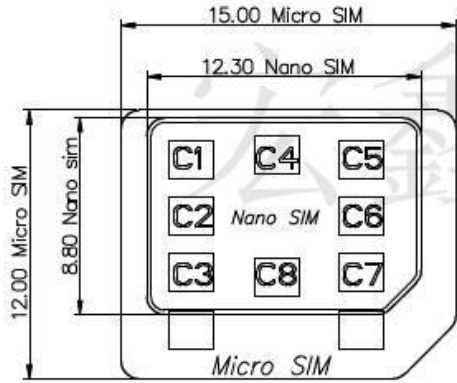


SIM pin assignment	
PIN#	Name
C1	VCC 供电电压
C2	RST 重置
C3	CLK 时钟
C5	GND 接地
C6	VPP 程序电压
C7	I/O 输入输出

### Specification



#### MATERIAL:

Insulator: High Temperature Thermoplastic, UL 94V-0.  
 Contact: CuNiS  
 Shell: SUS

#### PLATING:

Contact: Plated 50u" Ni Overall Contact AL Au 1u"  
 Shell: Plated 50u" Ni Overall, Pd Au 1u"

#### Electrical:

Current Rating : 0.5mA AC/DC max.  
 Voltage Rating : 125V AC/DC  
 Ambient Temperature Range : -20° C +60° C  
 Storage Temperature Range : -40° C +70° C  
 Ambient Humidity Range : 98% R.H. Max.  
 Contact Resistance: 100m  $\Omega$   
 Insulation Resistance: 1000M  $\Omega$  min./500VDC  
 Mating Cycles: 10,000 Insertions  
 产品插拔次数: 10,000次  
 Mating Cycles: 3,000 Insertions Min

DIMENSIONS (MM): mm	
CLASSIFICATION SPECIFIABLE	
IDENTITY	TOLERANCE
L1:	± 0.10
L2:	± 0.10
L3:	± 0.05
ANGLE:	± 1°

ITEM NO.	REV.	DESCRIPTION	DATE	BY