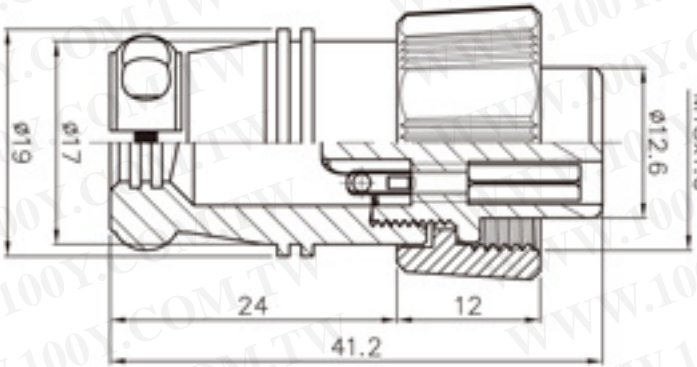


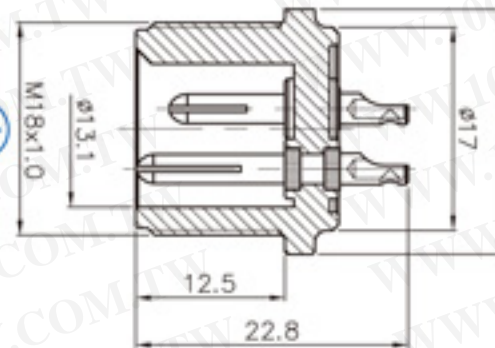
INPUT TYPE



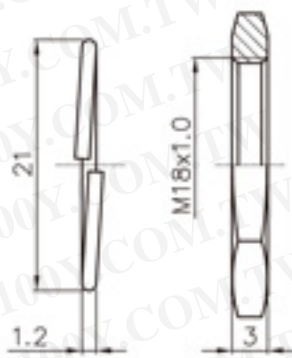
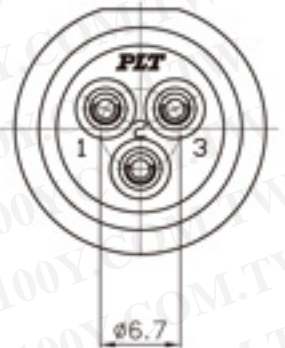
勝特力材料 886-3-5753170  
勝特力电子(上海) 86-21-54151736  
勝特力电子(深圳) 86-755-83298787  
[Http://www.100y.com.tw](http://www.100y.com.tw)



**PLT-17-P**



**PLT-17-R**



ACCESSORIES

(Engineering Plastic 工程塑膠)

◆ No. of contacts	2	3	4	5	6	7	8		
Contacts Configuration									
Rated current / voltage	5A 125V	5A 125V	5A 125V	5A 125V	5A 125V	5A 125V	5A 125V		
Operation limit voltage (AC.V.rms)	200	200	200	200	200	200	200		
Withstanding voltage (AC.V.rms) 1 minute	1000	1000	1000	1000	1000	1000	1000		
Insulation resistance (MΩ MIN.) at DC 500V	1000	1000	1000	1000	1000	1000	1000		
Contact resistance (MΩ MAX.) at DC 1A	15	15	15	20	20	20	20		
Solder inter diameter	1.4	1.4	1.4	1.2	0.8	0.8	0.8		