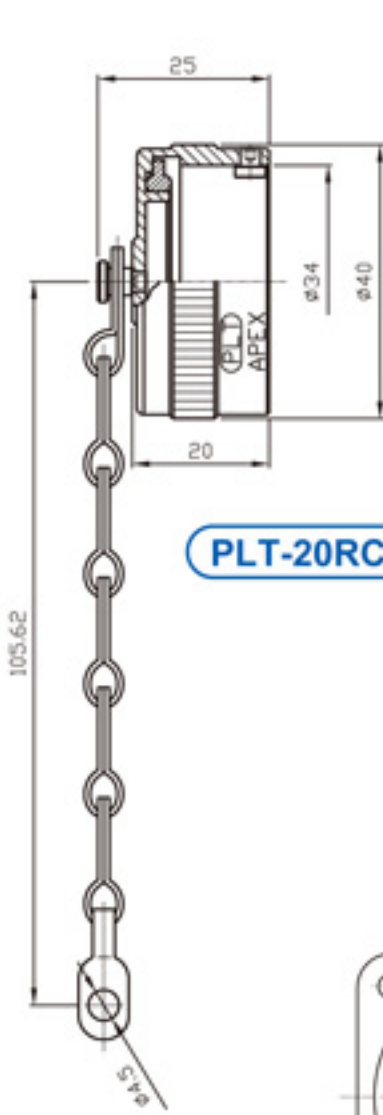
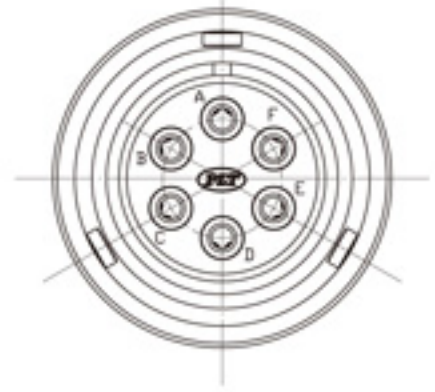
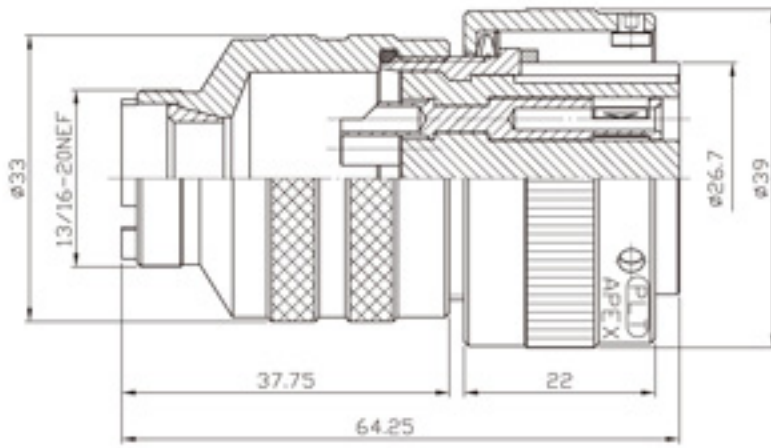




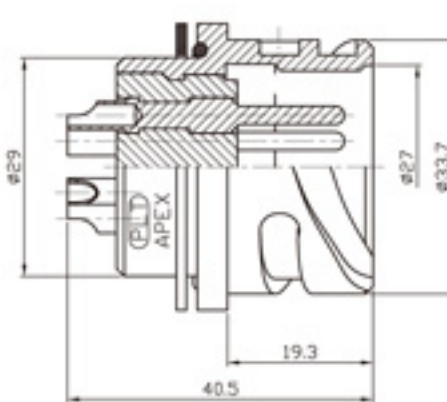
PLT-3106A /
PLT-3102A
20-15 Series
(INPUT TYPE)



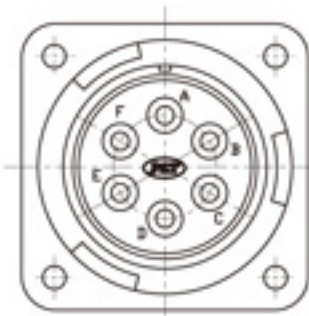
PLT-20RCa



PLT3106A 20-15SA



PLT3102A 20-15PA



No.	ELECTRICAL SPECIFICATIONS	
1	Withstanding voltage	AC : 2000 V ONE MINUTE
2	Test Current	23 AMPERES
3	Insulation resistance	5000MΩ min. AT DC 500V