



SINCE 1978
APEX CONNECTOR

APEX WATER PROOF CONNECTOR

勝特力材料 886-3-5753170
勝特力电子(上海) 86-21-34970699
勝特力电子(深圳) 86-755-83298787
[Http://www.100y.com.tw](http://www.100y.com.tw)



IP65 IP67 IP68

OEM / ODM

勝特力材料 886-3-5753170
 勝特力电子(上海) 86-21-34970699
 勝特力电子(深圳) 86-755-83298787
 Http://www.100y.com.tw

M Series Order Information

M8 Series



	M-631/M-641/ M-642 ◆ -PML	8
---	--------------------------------------	---

	M-631/M-641/ M-642 ◆ -PMP	8
---	--------------------------------------	---

	M-631/M-641/ M-642 ◆ -PM	8
---	-------------------------------------	---

	M-641 ◆ -RM	8
---	--------------------	---

	M-631/M-641/ M-642 ◆ -PF	8
---	-------------------------------------	---

	M-631/M-641/ M-642 ◆ -PFL	8
--	--------------------------------------	---

	M-631/M-641/ M-642 ◆ -LPFL	8
---	---------------------------------------	---

	M-631/M-641/ M-642 ◆ -RFL	8
--	--------------------------------------	---

	M-641 ◆ -PFA-R	8
--	-----------------------	---

	WA-637 A	8
--	-----------------	---

M-61 Series



	M-61 ◆ R	9
--	-----------------	---

勝特力材料 886-3-5753170
勝特力电子(上海) 86-21-34970699
勝特力电子(深圳) 86-755-83298787
[Http://www.100y.com.tw](http://www.100y.com.tw)

M Series Order Information

	M-61 ❖ RA	9
	M-61 ❖ RL	9
	M-61 ❖ A	9
	M-61 ❖ DL	9
	M-61 ❖ E	9

	M12 Series Straight Cable Ass'y	11
	M12 Series Straight Cable Ass'y	11
	M12 Series Straight Cable Ass'y	11
	M12 Series Straight Cable Ass'y	11
	M12 Series Straight Cable Ass'y	11
	M12 Series Straight Cable Ass'y	11
	M12 Series Right Angle Cable Ass'y	12
	M12 Series Right Angle Cable Ass'y	12

M-12 Series

	M-D62 ❖ E D-CODE	10
---	--	----

SHELL: ZINC DIE-CASTING
(鋅合金壓鑄)

勝特力材料 886-3-5753170
勝特力电子(上海) 86-21-34970699
勝特力电子(深圳) 86-755-83298787
[Http://www.100y.com.tw](http://www.100y.com.tw)

M Series Order Information

	IP67 M12 Series Right Angle Cable Ass'y M-62 ❖ A-LPFL	12		IP67 M12 Series Receptacle Male M-62 ❖ RMA	13
	IP67 M12 Series Right Angle Cable Ass'y M-62 ❖ A-LPML	12		IP67 M12 Series Receptacle Male M-62 ❖ RMB	13
	IP67 M12 Series Receptacle Female M-62 ❖ -RF	13		IP67 M12 Series Receptacle Male M-62 ❖ RMC	14
	IP67 M12 Series Receptacle Female M-62 ❖ -RFA	13		IP67 M12 Series Receptacle Male M-62 ❖ RMD	15
	IP67 M12 Series Receptacle Female M-62 ❖ -RFB	13		IP67 M12 Series Receptacle Male M-62 ❖ RME	15
	IP67 M12 Series Receptacle Female M-62 ❖ -RFC	13		IP67 M12 Series Receptacle Male M-62 ❖ RMH	15
	M12 Series Receptacle Female M-62 ❖ A-GP	14		IP67 M12 Series Receptacle Male M-62 ❖ RMS SHELL: STAINLESS STEEL (不鏽鋼)	15
	IP67 M12 Series Receptacle Male M-62 ❖ RM	14			

勝特力材料 886-3-5753170
勝特力电子(上海) 86-21-34970699
勝特力电子(深圳) 86-755-83298787
[Http://www.100y.com.tw](http://www.100y.com.tw)

M Series Order Information

	M-62 ◆ SP-PM-R	16
	M-62 ◆ SP-PF-R	16
	M-623T5-AD-R	17

654 Series

	WA-782A-R	18
	M-654-RFO	18
	M-655-RM	18

WPS Series Order Information

WPS Series

	WPS-2407-LF WPS-2407-SM	20
	WPS-2407-LM WPS-2407-SF	20

WPM Series

	WPM06B-9-16S	21
	WPM06B-9-16P	21

勝特力材料 886-3-5753170
 勝特力电子(上海) 86-21-34970699
 勝特力电子(深圳) 86-755-83298787
[Http://www.100y.com.tw](http://www.100y.com.tw)

WPM Series Order Information



WA Series

IP67



勝特力材料 886-3-5753170
 勝特力电子(上海) 86-21-34970699
 勝特力电子(深圳) 86-755-83298787
[Http://www.100y.com.tw](http://www.100y.com.tw)

WA / PLP / PLS Series Order Information

PLP Series



	PLP-123-P9 (D-SUB)	32
---	---------------------------	----

	PLP-138P8A-R (RJ-45)	PQT 33
---	--------------------------------	------------------

	PLP-138R8A-R (RJ-45)	PQT 33
--	--------------------------------	------------------

	PLP-138AD8A-R (RJ-45)	PQT 34
---	---------------------------------	------------------

PLS Series



	PLS-28 -RMA	35
SHELL: STAINLESS STEEL (不鏽鋼)		

	PLS-28 -PFA	35
SHELL: STAINLESS STEEL (不鏽鋼)		

AMS Series



	AMS3102R	36
---	-----------------	----

	AMS3106M	36
--	-----------------	----

	AMS3108M	37
--	-----------------	----

M8/M6I/M12 series

勝特力材料 886-3-5753170
 勝特力电子(上海) 86-21-34970699
 勝特力电子(深圳) 86-755-83298787
[Http://www.100y.com.tw](http://www.100y.com.tw)



ORDERING INFORMATION

M-624-PML

WIRE LENGTH 線長
 CONNECTOR TYPE 連接器類型
 NO. OF CONTACTS Pin 數
 NO OF SERIES 機種系列
 NAME OF SERIES 系列名稱

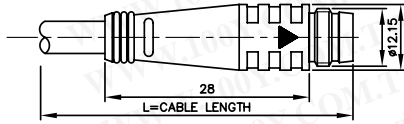
MATERIAL & FINISH

P:PLUG 插頭	R:Receptacle 插座	F:Female 導梢	M:Male 導針
--------------	--------------------	----------------	--------------

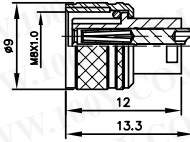
Description	Material	Finish
Shell / 外殼 本體	* Brass / 銅 * Zinc Die-Casting / 鋅合金壓鑄 * Aluminum alloy / 鋁合金壓鑄	* Chrome-plated / 鉻電鍍 * Gold-plated / 金電鍍 * Nickle-plated / 鎳電鍍 * Silver-plated / 銀電鍍
Insulator / 絕緣體	* Bakelite / 電木 * Delrin / 塑鋼 * Nylon / 耐龍	
Contact / 接觸體	* Brass / 銅 * P.Brass / 磷銅 * B.Brass / 鈹銅	* Gold-plated / 金電鍍 * Silver-plated / 銀電鍍 * Nickle-plated / 鎳電鍍

勝特力材料 886-3-5753170
勝特力电子(上海) 86-21-34970699
勝特力电子(深圳) 86-755-83298787
Http://www.100y.com.tw

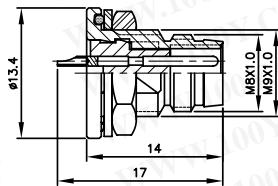
M-631/M-641/M642 ◆ -PML



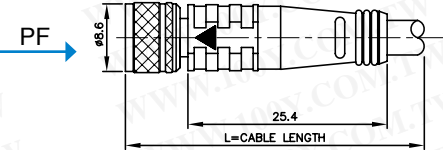
M-631/M-641/M642 ◆ -PF



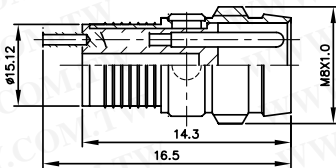
M-631/M-641/M642 ◆ -PMP



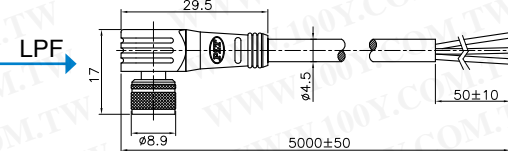
M-631/M-641/M642 ◆ -PFL



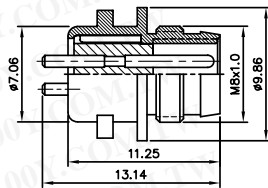
M-631/M-641/M642 ◆ -PM



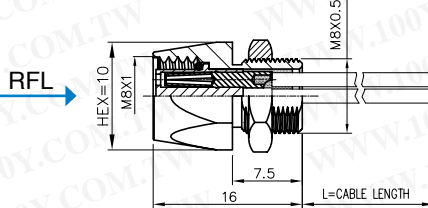
M-631/M-641/M642 ◆ -LPFL



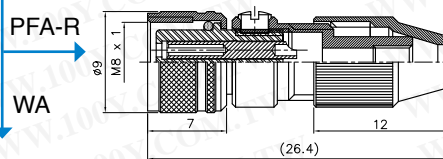
M-641 ◆ -RM



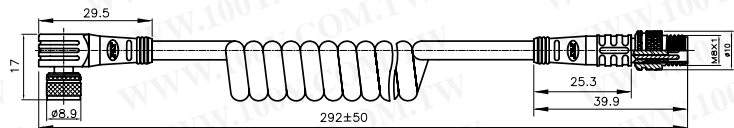
M-631/M-641/M642 ◆ -RFL



M641 ◆ -PFA-R



WA-637 A

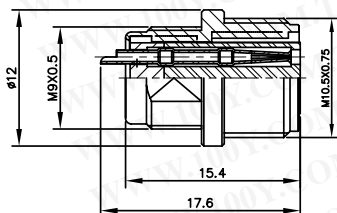


◆ No. of contacts 接點數目	3	4	4			
Contacts Configuration 接點方位						
Rated current / voltage 額定電流/電壓	1A 100V	1A 100V	1A 100V			
Insulation resistance (MΩ MIN.) at DC 500V 絕緣阻抗	300	300	300			
Contact resistance (mΩ MAX.) at DC 1A 接觸阻抗	3	3	3			
Solder inter diameter 焊孔內徑	1	1	1			

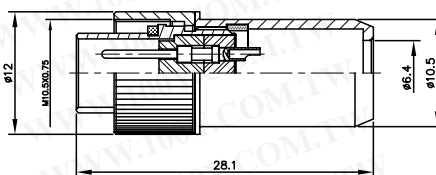
勝特力材料 886-3-5753170
勝特力电子(上海) 86-21-34970699
勝特力电子(深圳) 86-755-83298787
[Http://www.100y.com.tw](http://www.100y.com.tw)



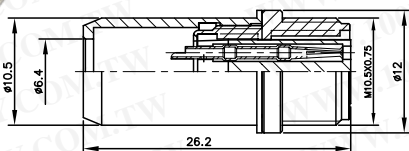
M-61 R



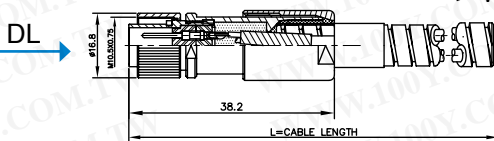
M-61 A



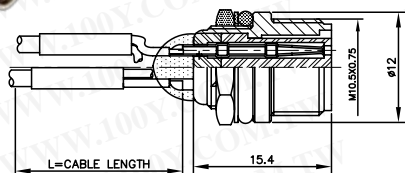
M-61 RA



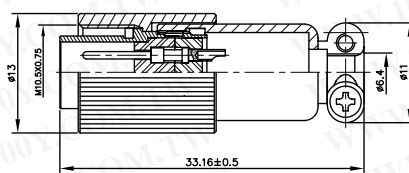
M-61 DL



M-61 RL



M-61 E



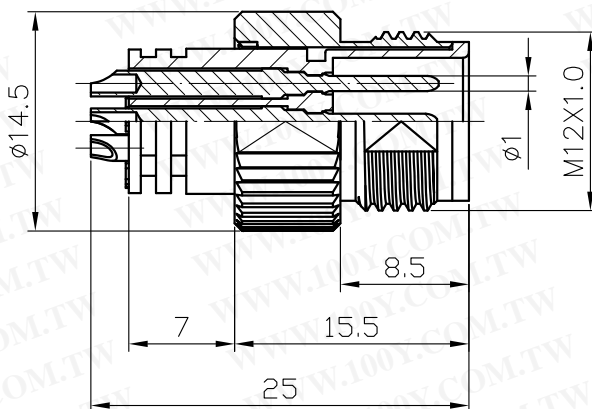
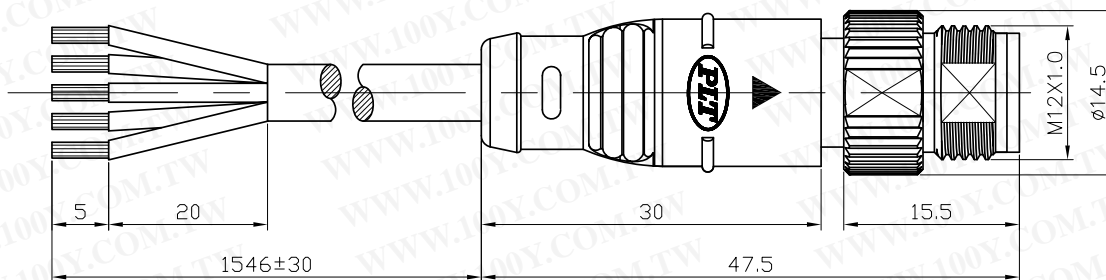
No. of contacts 接點數目	2	3	4	5		
Contacts Configuration 接點方位						
Rated current / voltage 額定電流/電壓	1A 100V	1A 100V	1A 100V	1A 100V		
Withstanding voltage (AC.V.rms) 1 minute 耐電壓1分鐘	AC 300V DC 500V	AC 300V DC 500V	AC 300V DC 500V	AC 300V DC 500V		
Insulation resistance (MΩ MIN.) at DC 500V 絕緣阻抗	200	200	200	200		
Contact resistance (mΩ MAX.) at DC 1A 接觸阻抗	3	3	3	3		
Solder inter diameter 焊孔內徑	0.9	0.9	0.9	0.9		



勝特力材料 886-3-5753170
 勝特力电子(上海) 86-21-34970699
 勝特力电子(深圳) 86-755-83298787
[Http://www.100y.com.tw](http://www.100y.com.tw)

M-D62 ◆ PF

SHELL: ZINC DIE-CASTING (鋅合金壓鑄)

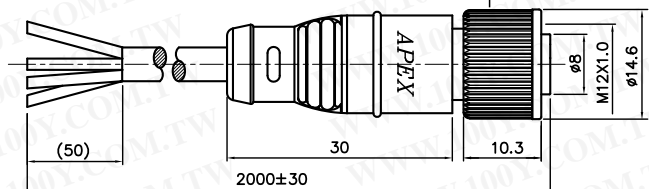


◆ No. of contacts 接點數目	4					
Contacts Configuration 接點方位						
Rated current / voltage 額定電流 / 電壓	3A-125V MAX. 5ma-5V MIN.					
Withstanding voltage (AC.V.rms) 1 minute 耐電壓1分鐘	1000					
Insulation resistance (MΩ MIN.) at DC 500V 絕緣阻抗	100					

M-62 PFL

WIRE LENGTH
線材長度

Cap Material : Al Alloy
固定帽材質 : 鋁合金



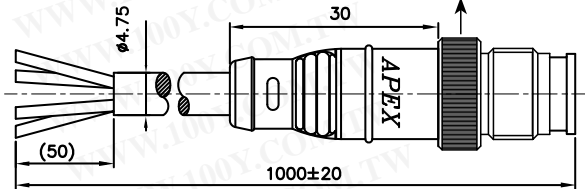
L	WIRE LENGTH
1	1M
2	2M
3	3M
4	4M
5	5M



M-62 PML

WIRE LENGTH
線材長度

Cap Material : Al Alloy
固定帽材質 : 銅



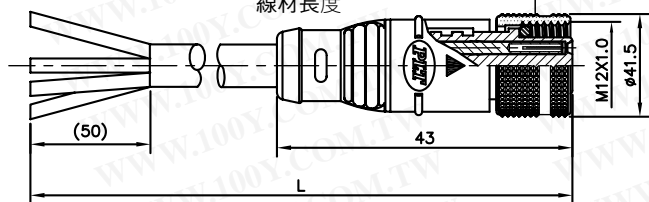
L	WIRE LENGTH
1	1M
2	2M
3	3M
4	4M
5	5M



M-62 PFGL

WIRE LENGTH
線材長度

Cap Material : Brass
固定帽材質 : 銅



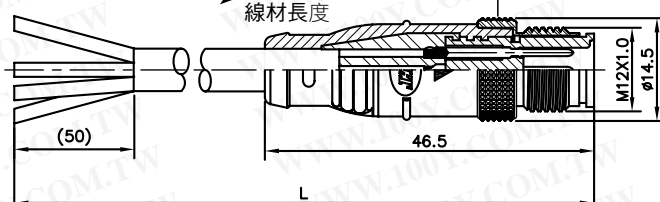
L	WIRE LENGTH
1	1M
2	2M
3	3M
4	4M
5	5M



M-62 PMGL

WIRE LENGTH
線材長度

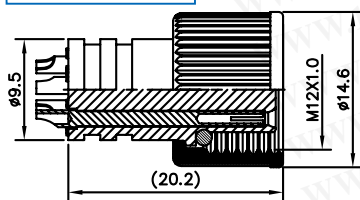
Cap Material : Brass
固定帽材質 : 銅



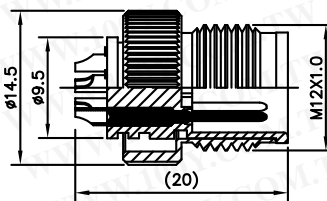
L	WIRE LENGTH
1	1M
2	2M
3	3M
4	4M
5	5M



M-62 -PF



M-62 -PM



◆ No. of contacts 接點數目	3	4	5	6	8
Contacts Configuration 接點方位					
Rated current / voltage 額定電流 / 電壓	3A-125V MAX. 5ma-5V MIN.	3A-125V MAX. 5ma-5V MIN.	3A-125V MAX. 5ma-5V MIN.	3A-125V MAX. 5ma-5V MIN.	3A-125V MAX. 5ma-5V MIN.
Withstanding voltage (AC.V.rms) 1 minute 耐電壓1分鐘	300	300	300	300	300
Contact resistance (mΩ MAX.) at DC 1A 接觸阻抗	3	3	3	3	3

勝特力材料 886-3-5753170
 勝特力电子(上海) 86-21-34970699
 勝特力电子(深圳) 86-755-83298787
[Http://www.100y.com.tw](http://www.100y.com.tw)

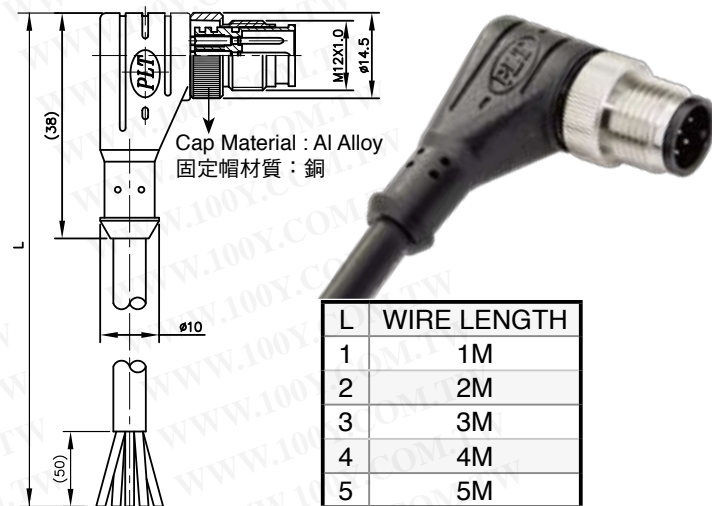
M-62 ◆ LPFL

WIRE LENGTH 線材長度



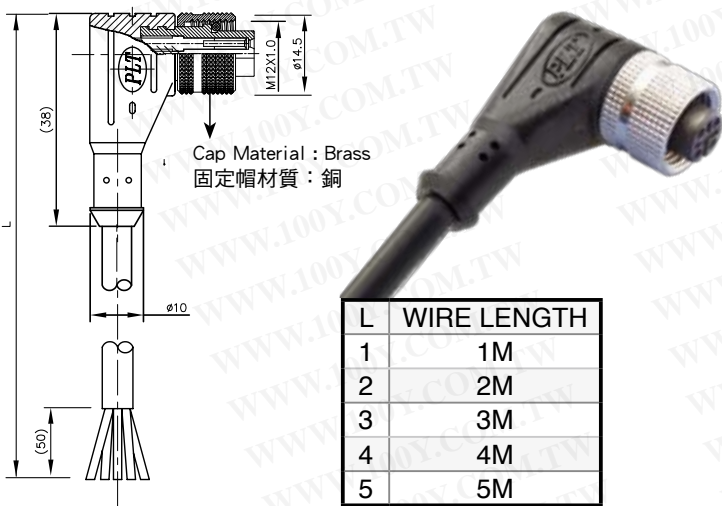
M-62 ◆ LPML

WIRE LENGTH 線材長度



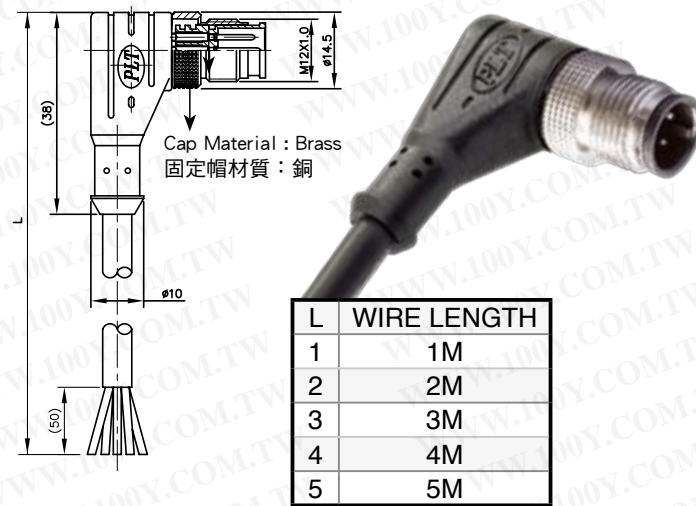
M-62 ◆ A-LPFL




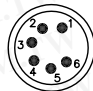
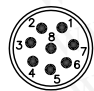
WIRE LENGTH 線材長度



M-62 ◆ A-LPML

WIRE LENGTH 線材長度

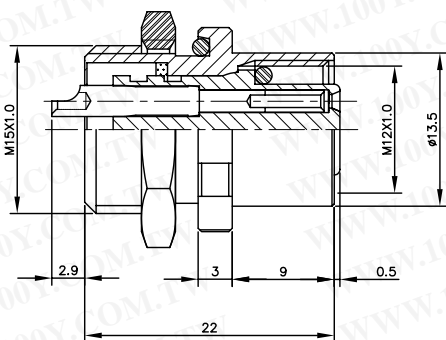


◆ No. of contacts 接點數目	3	4	5	6	8
Contacts Configuration 接點方位					
Rated current / voltage 額定電流/電壓	3A-125V MAX. 5ma-5V MIN.	3A-125V MAX. 5ma-5V MIN.	3A-125V MAX. 5ma-5V MIN.	3A-125V MAX. 5ma-5V MIN.	3A-125V MAX. 5ma-5V MIN.
Withstanding voltage (AC.V.rms) 1 minute 耐電壓1分鐘	300	300	300	300	1500
Insulation resistance (MΩ MIN.) at DC 500V 絕緣阻抗	100	100	100	100	100
Contact resistance (mΩ MAX.) at DC 1A 接觸阻抗	3	3	3	3	3
Solder inter diameter 焊孔內徑	1.0	1.0	1.0	1.0	1.0

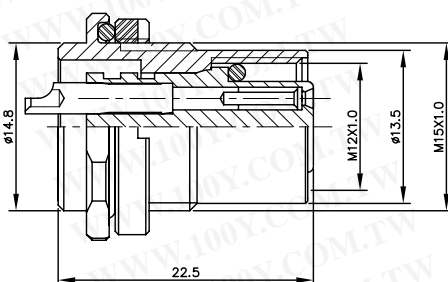
勝特力材料 886-3-5753170
勝特力电子(上海) 86-21-34970699
勝特力电子(深圳) 86-755-83298787
[Http://www.100y.com.tw](http://www.100y.com.tw)



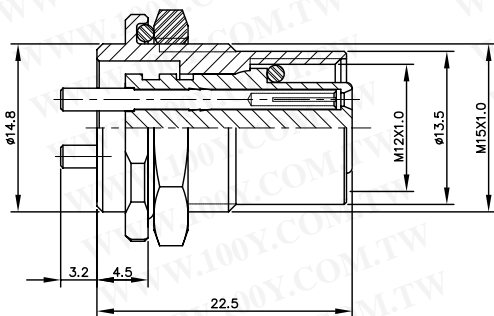
M-62 -RF



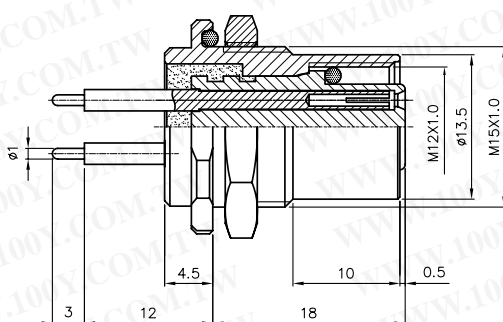
M-62 -RFA



M-62 -RFB



M-62 -RFC

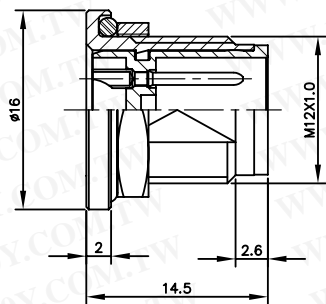


◆ No. of contacts 接點數目	3	4	5	6	8
Contacts Configuration 接點方位					
Rated current / voltage 額定電流 / 電壓	3A-125V MAX. 5ma-5V MIN.	3A-125V MAX. 5ma-5V MIN.	3A-125V MAX. 5ma-5V MIN.	3A-125V MAX. 5ma-5V MIN.	3A-125V MAX. 5ma-5V MIN.
Withstanding voltage (AC.V.rms) 1 minute 耐電壓1分鐘	1500	1500	1500	1500	1500
Insulation resistance (MΩ MIN.) at DC 500V 絕緣阻抗	100	100	100	100	100
Contact resistance (mΩ MAX.) at DC 1A 接觸阻抗	3	3	3	3	3
Solder inter diameter 焊孔內徑	1.0	1.0	1.0	1.0	1.0

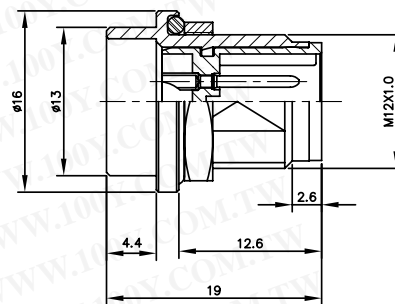
勝特力材料 886-3-5753170
勝特力电子(上海) 86-21-34970699
勝特力电子(深圳) 86-755-83298787
[Http://www.100y.com.tw](http://www.100y.com.tw)



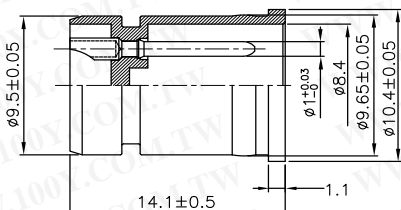
M-62 -RM



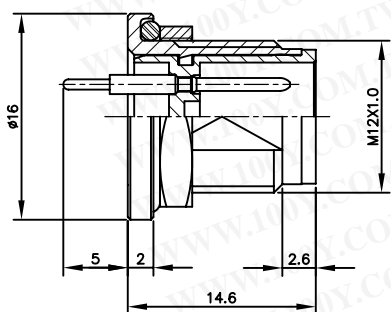
M-62 -RMA



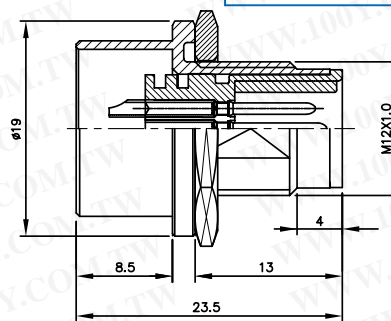
M-62 -GP



M-62 -RMB



M-62 -RMC



◆ No. of contacts 接點數目	3	4	5	6	8
Contacts Configuration 接點方位					
Rated current / voltage 額定電流/電壓	3A-125V MAX. 5ma-5V MIN.	3A-125V MAX. 5ma-5V MIN.	3A-125V MAX. 5ma-5V MIN.	3A-125V MAX. 5ma-5V MIN.	3A-125V MAX. 5ma-5V MIN.
Withstanding voltage (AC.V.rms) 1 minute 耐電壓1分鐘	1500	1500	1500	1500	1500
Insulation resistance (MΩ MIN.) at DC 500V 絕緣阻抗	100	100	100	100	100
Contact resistance (mΩ MAX.) at DC 1A 接觸阻抗	3	3	3	3	3
Solder inter diameter 焊孔內徑	1.0	1.0	1.0	1.0	1.0

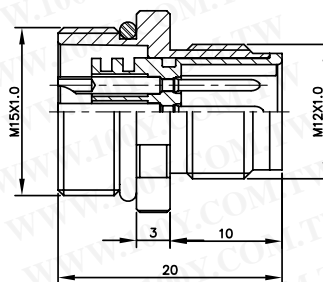
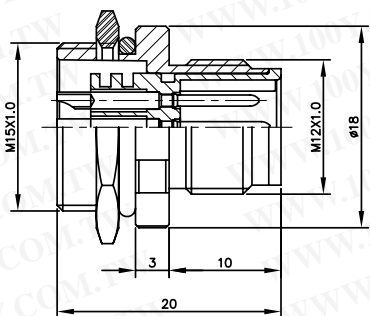
勝特力材料 886-3-5753170
勝特力电子(上海) 86-21-34970699
勝特力电子(深圳) 86-755-83298787
[Http://www.100y.com.tw](http://www.100y.com.tw)



M-62 -RMD



M-62 -RME

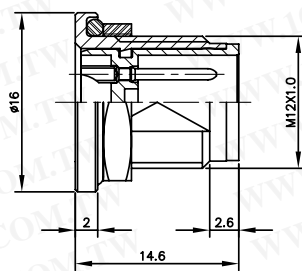
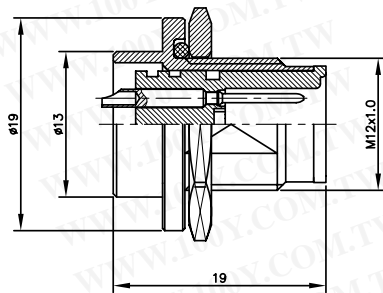


M-62 -RMH



M-62 -RMS

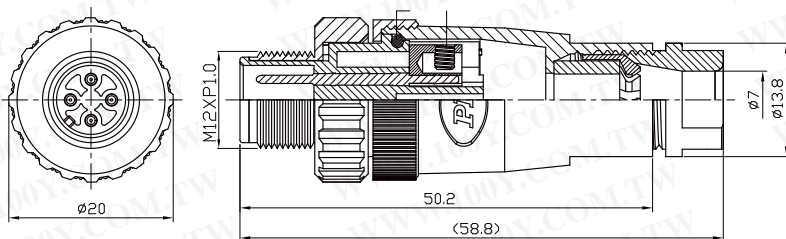
SHELL: STAINLESS STEEL
(不鏽鋼)



◆ No. of contacts 接點數目	3	4	5	6	8
Contacts Configuration 接點方位					
Rated current / voltage 額定電流/電壓	3A-125V MAX. 5ma-5V MIN.	3A-125V MAX. 5ma-5V MIN.	3A-125V MAX. 5ma-5V MIN.	3A-125V MAX. 5ma-5V MIN.	3A-125V MAX. 5ma-5V MIN.
Withstanding voltage (AC.V.rms) 1 minute 耐電壓1分鐘	1500	1500	1500	1500	1500
Insulation resistance (MΩ MIN.) at DC 500V 絕緣阻抗	100	100	100	100	100
Contact resistance (mΩ MAX.) at DC 1A 接觸阻抗	3	3	3	3	3
Solder inter diameter 焊孔內徑	1.0	1.0	1.0	1.0	1.0



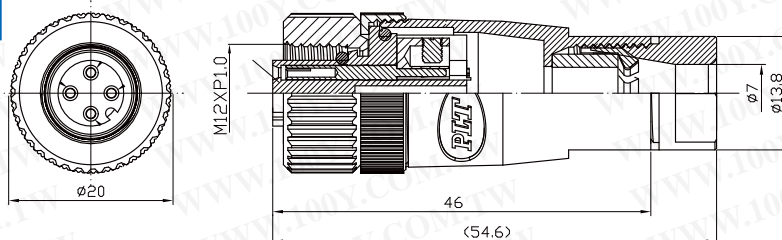
M-62 ◆ **SP-PM-R**



PM

PF

M-62 ◆ **SP-PF-R**



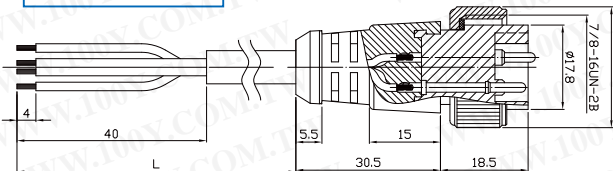
勝特力材料 886-3-5753170
勝特力电子(上海) 86-21-34970699
勝特力电子(深圳) 86-755-83298787
[Http://www.100y.com.tw](http://www.100y.com.tw)

◆ No. of contacts 接點數目	4	5	6	8		
Contacts Configuration 接點方位						
Rated current / voltage 額定電流/電壓	3A-125V MAX. 5ma-5V MIN.	3A-125V MAX. 5ma-5V MIN.	3A-125V MAX. 5ma-5V MIN.	3A-125V MAX. 5ma-5V MIN.		
Withstanding voltage (AC.V.rms) 1 minute 耐電壓1分鐘	1500	1500	1500	1500		
Insulation resistance (MΩ MIN.) at DC 500V 絕緣阻抗	100	100	100	100		
Contact resistance (mΩ MAX.) at DC 1A 接觸阻抗	3	3	3	3		
Solder inter diameter 焊孔內徑	1.0	1.0	1.0	1.0		

勝特力材料 886-3-5753170
勝特力电子(上海) 86-21-34970699
勝特力电子(深圳) 86-755-83298787
[Http://www.100y.com.tw](http://www.100y.com.tw)

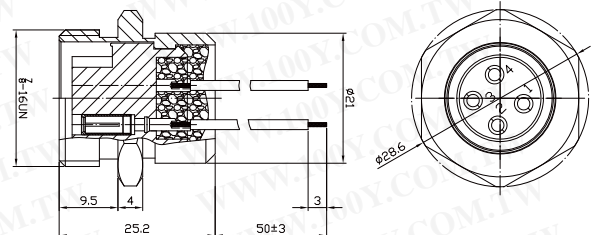


WA-782A-R



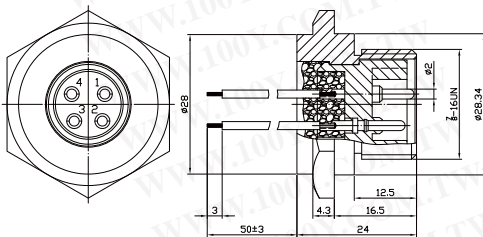
PM

M-654-RFO



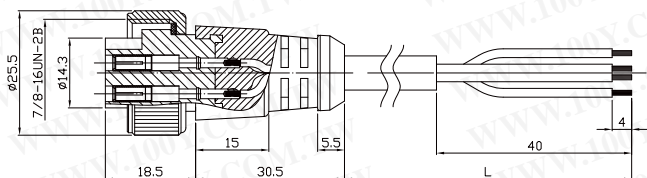
RF

M-654-RML



RM

WA-783A-R



PF

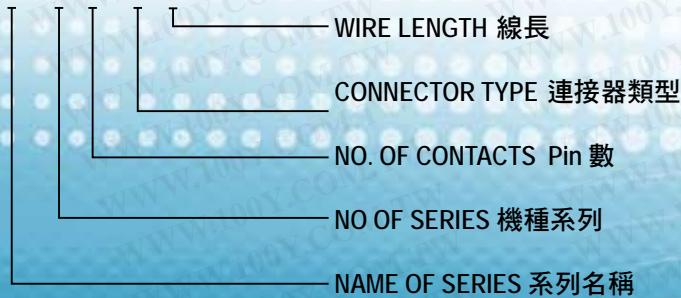
No. of contacts 接點數目	4	5	
Contacts Configuration 接點方位			
Rated current / voltage 額定電流 / 電壓	AC/DC 5V-5mA min. AC/DC 600V-9A max.	AC/DC 5V-5mA min. AC/DC 600V-9A max.	
Withstanding voltage (AC.V.rms) 1 minute 耐電壓1分鐘	100	100	
Insulation resistance (MΩ MIN.) at DC 500V 絕緣阻抗	1000	1000	
Contact resistance (mΩ MAX.) at DC 1A 接觸阻抗	100	100	



勝特力材料 886-3-5753170
 勝特力电子(上海) 86-21-34970699
 勝特力电子(深圳) 86-755-83298787
[Http://www.100y.com.tw](http://www.100y.com.tw)

ORDERING INFORMATION

M-624-PML



P:PLUG	R:Receptacle	F:Female	M:Male
插頭	插座	導梢	導針

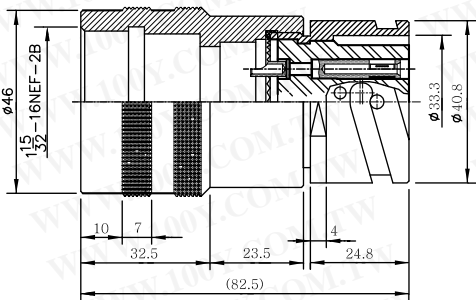
WPS/WPM/PLS/WA series

AMS series

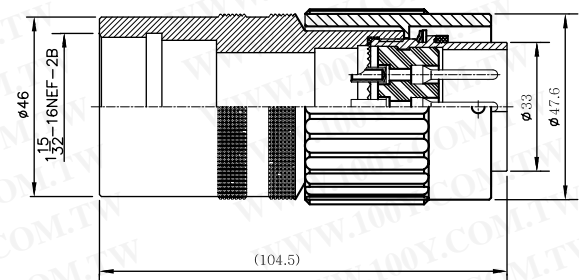
勝特力材料 886-3-5753170
勝特力电子(上海) 86-21-34970699
勝特力电子(深圳) 86-755-83298787
[Http://www.100y.com.tw](http://www.100y.com.tw)



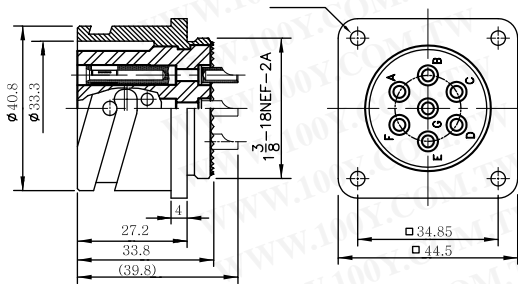
WPS-2407-LF



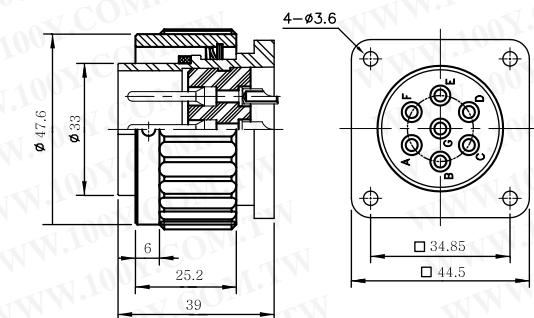
WPS-2407-LM



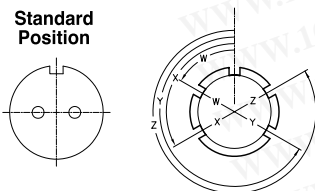
WPS-2407-SF



WPS-2407-SM



Standard Position



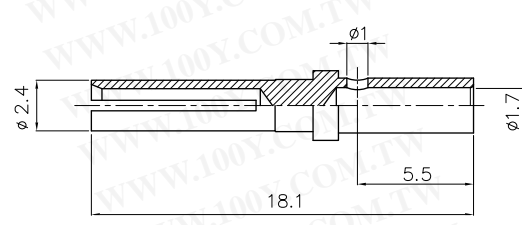
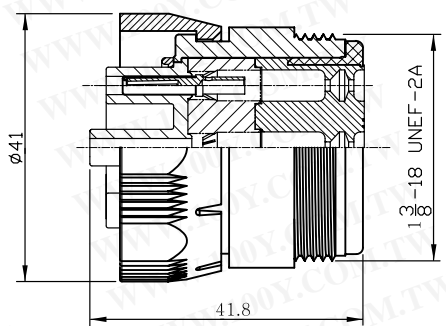
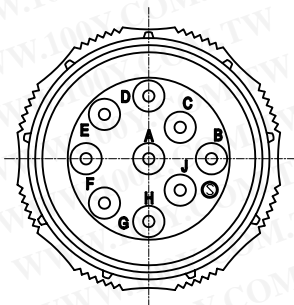
In contrast with the standard inserted position. After the guide key of its shell has formed into certain angle, the position changed shall be indicated by the marks W,X,Y,Z. According to the layout of connector, there is difference on the changable angles. Please refer to the instructions of the said table. Furthermore, what the figure has shown is observed from the joining part of the pins.

No. ELECTRICAL SPECIFICATION	
Operation voltage (v)	* DC 700 * AC(rms):500
Withstanding voltage	AC 2000V one minute
Test current	22 Amperes
Insulation resistance	5000MΩ min. at DC 500V

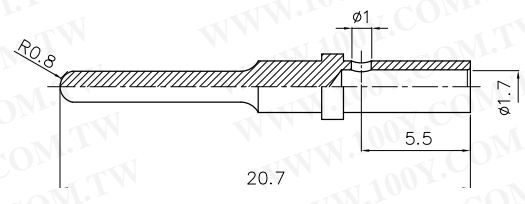
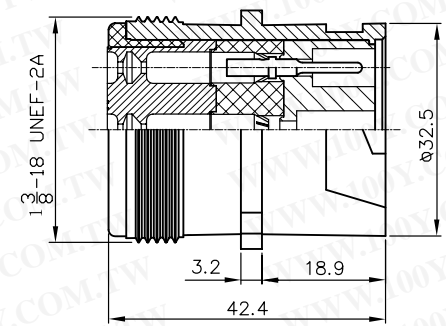
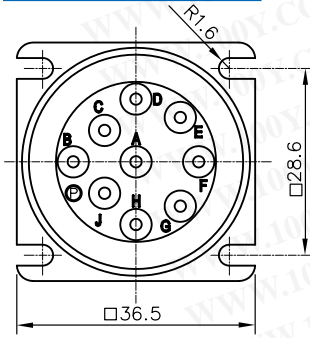
勝特力材料 886-3-5753170
 勝特力电子(上海) 86-21-34970699
 勝特力电子(深圳) 86-755-83298787
[Http://www.100y.com.tw](http://www.100y.com.tw)



WPM06B-9-16S



WPM02A-9-16P

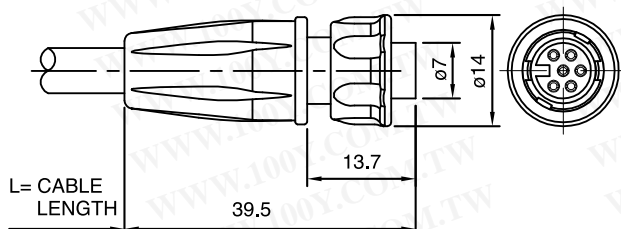


◆ No. of contacts 接點數目	9				
Contacts Configuration 接點方位					
Rated current / voltage 額定電流/電壓	13A 250V				
Operation limit voltage (AC.V.rms) 操作電壓限制	250				
Withstanding voltage (AC.V.rms) 1 minute 耐電壓1分鐘	2000				
Insulation resistance (MΩ MIN.) at DC 500V 絕緣阻抗	5000				
Contact resistance (mΩ MAX.) at DC 1A 接觸阻抗	3				
Solder inter diameter 焊孔內徑	1.7				

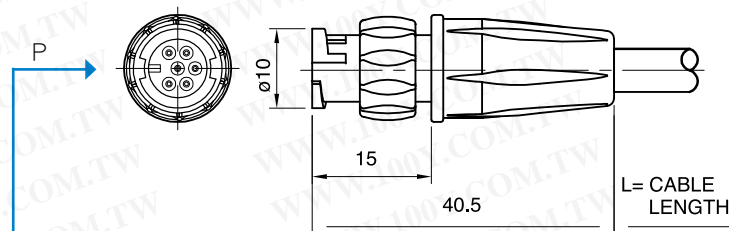
勝特力材料 886-3-5753170
勝特力电子(上海) 86-21-34970699
勝特力电子(深圳) 86-755-83298787
[Http://www.100y.com.tw](http://www.100y.com.tw)



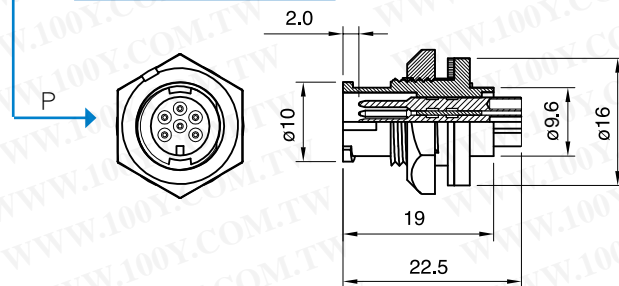
WPM16A11-6SL

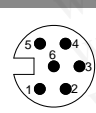


WPM16A11-6PL



WPM16A11-6R

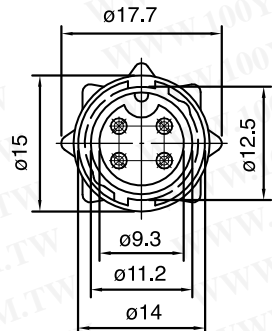
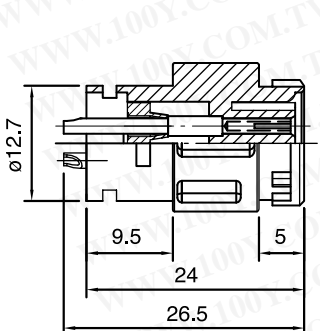


◆ No. Electrical Specification	6		
Contacts Configuration 接點方位			
Rated current / voltage 額定電流/電壓	3A 125V		
Insulation resistance (MΩ MIN.) at DC 500V 絕緣阻抗	≥ 100M Ω at DC 500V		
Current rating	≥ 100V, 2A		
Withstanding voltage (AC.V.rms) 1 minute 耐電壓1分鐘	≥ AC300V / 1 minute		

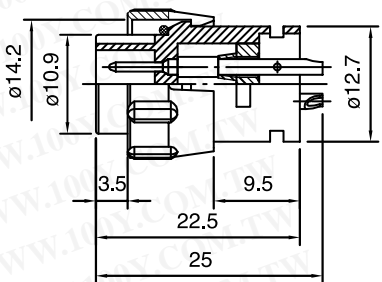
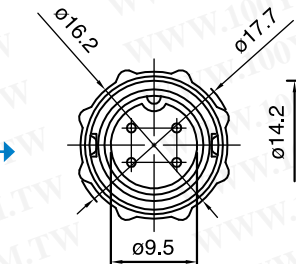
勝特力材料 886-3-5753170
 勝特力电子(上海) 86-21-34970699
 勝特力电子(深圳) 86-755-83298787
[Http://www.100y.com.tw](http://www.100y.com.tw)



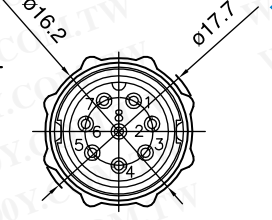
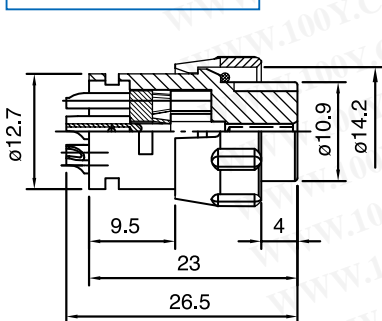
WPM16C12-4S



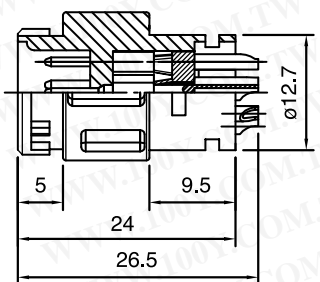
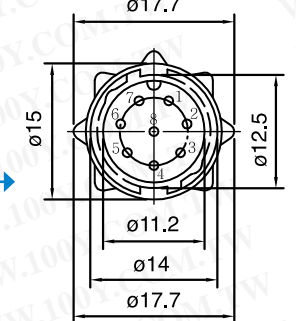
WPM16C12-4P

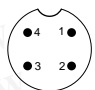



WPM16C12-8S



WPM16C12-8P

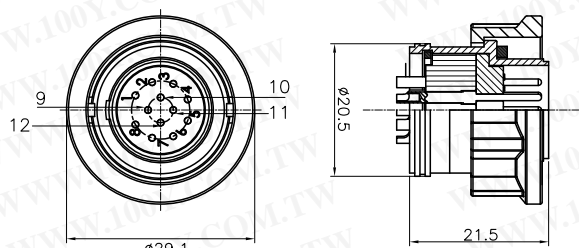


◆ No. Electrical Specification	4	8		
Contacts Configuration 接點方位				
Rated current / voltage 額定電流/電壓	3A 125V	3A 125V		
Withstanding voltage (AC.V.rms) 1 minute 耐電壓1分鐘	1000	1000		
Insulation resistance (MΩ MIN.) at DC 500V 絕緣阻抗	100 MΩ	100 MΩ		
Contact resistance (mΩ MAX.) at DC 1A 接觸阻抗	3	3		

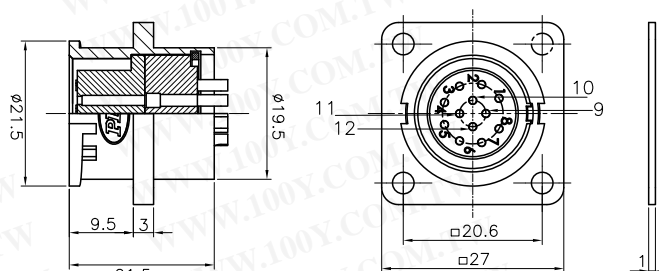
勝特力材料 886-3-5753170
勝特力电子(上海) 86-21-34970699
勝特力电子(深圳) 86-755-83298787
[Http://www.100y.com.tw](http://www.100y.com.tw)



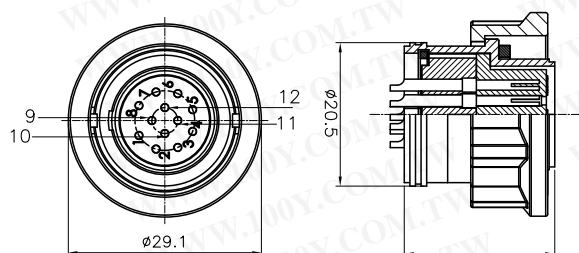
WPM-19-PM



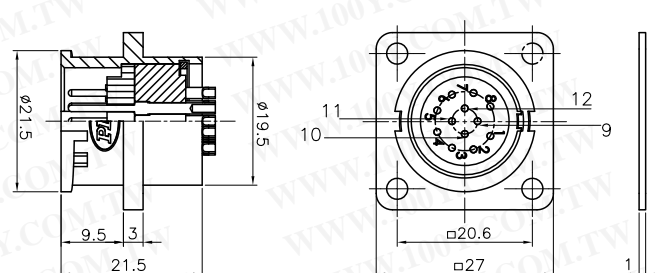
WPM-19-RF



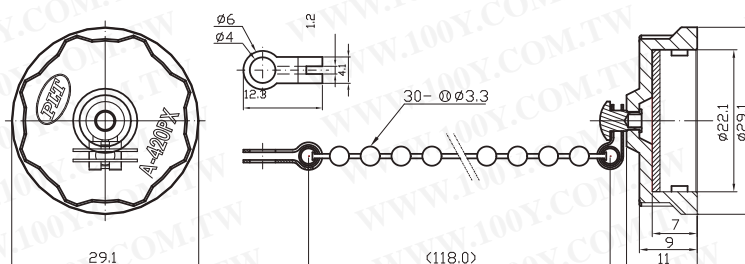
WPM-19-PF





WPM-19-RM



WPM-19-RCa

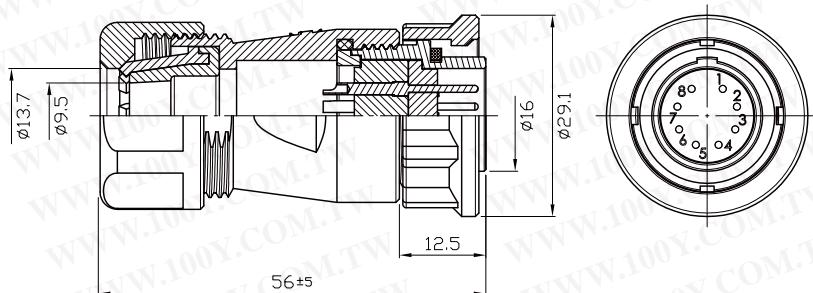


No. of contacts 接點數目	8	12			
Contacts Configuration 接點方位					
Rated current / voltage 額定電流/電壓	5A 125V	5A 125V			
limit voltage (AC.V.rms) 操作電壓限制	125	125			
Withstanding voltage (AC.V.rms) 1 minute 耐電壓1分鐘	300	300			
Insulation resistance (MΩ MIN.) at DC 500V 絕緣阻抗	1000	1000			
Contact resistance (mΩ MAX.) at DC 1A 接觸阻抗	3	3			
Solder inter diameter 焊孔內徑	1.2	1.2			

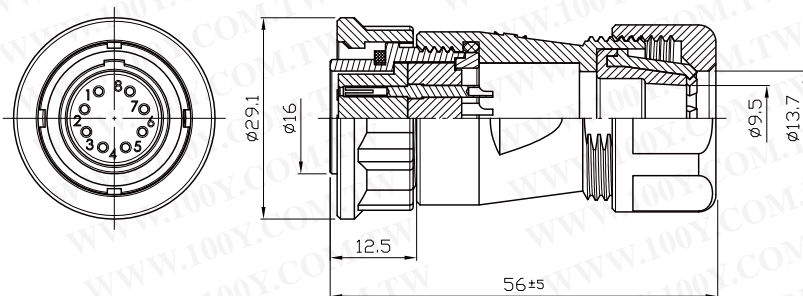


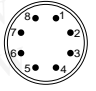

勝特力材料 886-3-5753170
 勝特力电子(上海) 86-21-34970699
 勝特力电子(深圳) 86-755-83298787
[Http://www.100y.com.tw](http://www.100y.com.tw)

WPM-19◆-SPM



WPM-19◆-SPF



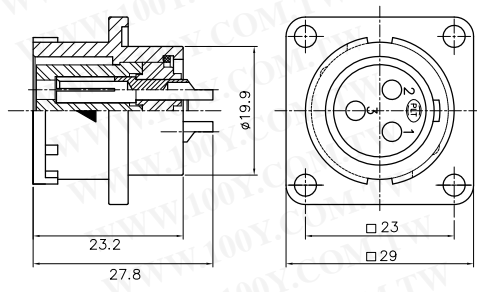
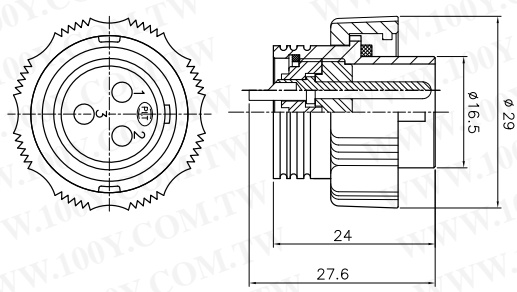
No. of contacts 接點數目	8	12			
Contacts Configuration 接點方位					
Rated current / voltage 額定電流/電壓	5A 125V	5A 125V			
Operation limit voltage (AC.V.rms) 操作電壓限制	125	125			
Withstanding voltage (AC.V.rms) 1 minute 耐電壓1分鐘	300	300			
Insulation resistance (MΩ MIN.) at DC 500V 絕緣阻抗	1000	1000			
Contact resistance (mΩ MAX.) at DC 1A 接觸阻抗	3	3			
Solder inter diameter 焊孔內徑	1.2	1.2			

勝特力材料 886-3-5753170
勝特力电子(上海) 86-21-34970699
勝特力电子(深圳) 86-755-83298787
[Http://www.100y.com.tw](http://www.100y.com.tw)



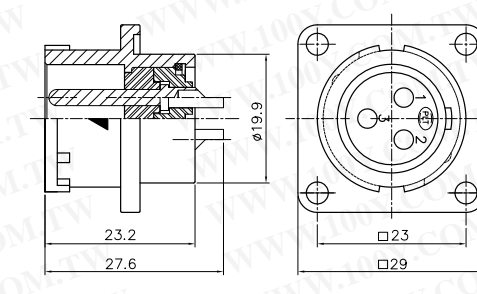
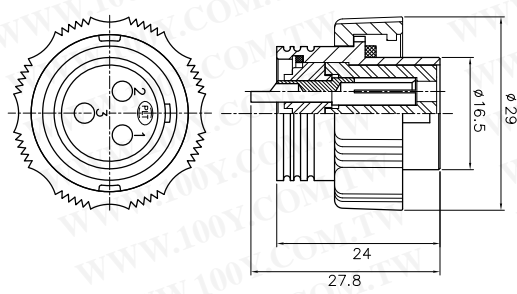
WPM-20-PM

WPM-20-RF

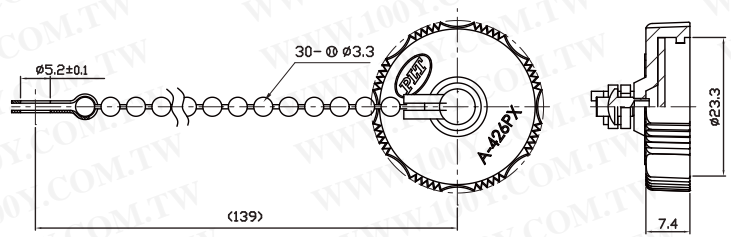






WPM-20-PF

WPM-20-RM



WPM-20-RCa-R

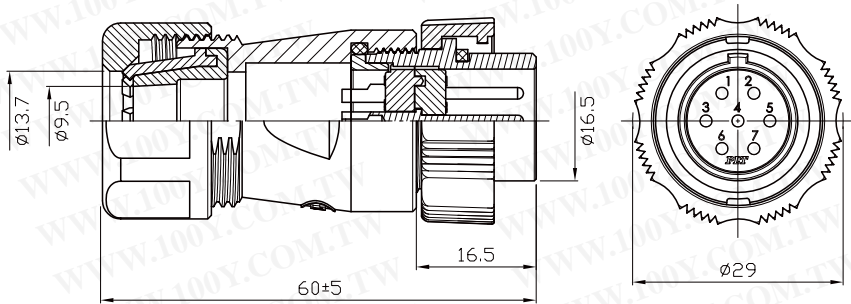


No. of contacts 接點數目	2	3	4	7		
Contacts Configuration 接點方位						
Rated current / voltage 額定電流 / 電壓	15A 250V	15A 250V	15A 250V	15A 250V		
Operation limit voltage (AC.V.rms) 操作電壓限制	250	250	250	250		
Withstanding voltage (AC.V.rms) 1 minute 耐電壓1分鐘	1500	1500	1500	1000		
Insulation resistance (MΩ MIN.) at DC 500V 絕緣阻抗	2000	2000	2000	2000		
Contact resistance (mΩ MAX.) at DC 1A 接觸阻抗	3	3	3	3		
Solder inter diameter 焊孔內徑	1.8	1.8	1.6	1.6		

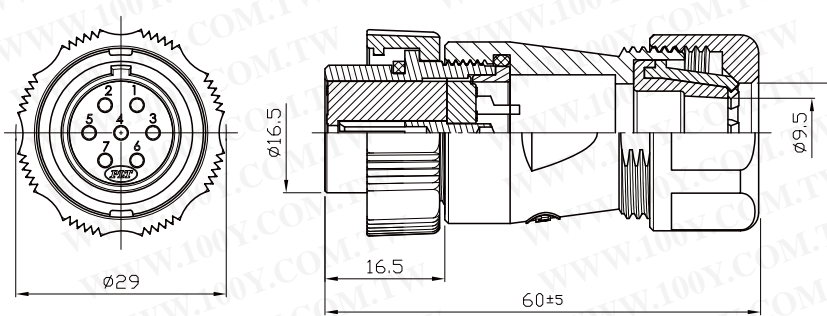


勝特力材料 886-3-5753170
 勝特力电子(上海) 86-21-34970699
 勝特力电子(深圳) 86-755-83298787
[Http://www.100y.com.tw](http://www.100y.com.tw)

WPM-20◆-SPM



WPM-20◆-SPF

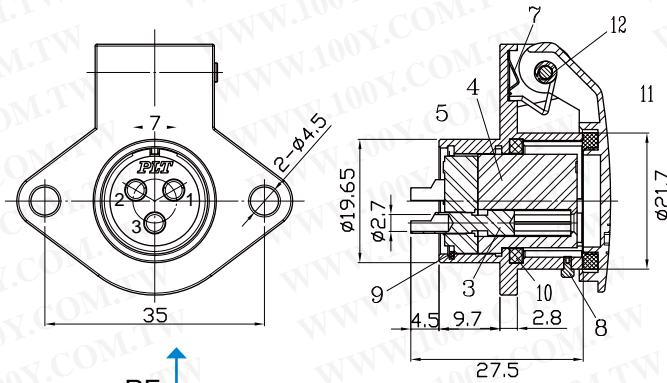


No. of contacts 接點數目	2	3	4	7		
Contacts Configuration 接點方位						
Rated current / voltage 額定電流/電壓	15A 250V	15A 250V	15A 250V	15A 250V		
Operation limit voltage (AC.V.rms) 操作電壓限制	250	250	250	250		
Withstanding voltage (AC.V.rms) 1 minute 耐電壓1分鐘	1500	1500	1500	1500		
Insulation resistance (MΩ MIN.) at DC 500V 絕緣阻抗	2000	2000	2000	2000		
Contact resistance (mΩ MAX.) at DC 1A 接觸阻抗	3	3	3	3		
Solder inter diameter 焊孔內徑	1.8	1.8	1.6	1.6		

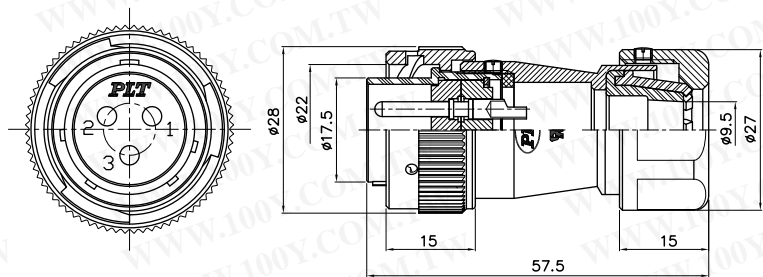
勝特力材料 886-3-5753170
 勝特力电子(上海) 86-21-34970699
 勝特力电子(深圳) 86-755-83298787
[Http://www.100y.com.tw](http://www.100y.com.tw)



WPM-21 ◆-RF



WPM-21 ◆-PM

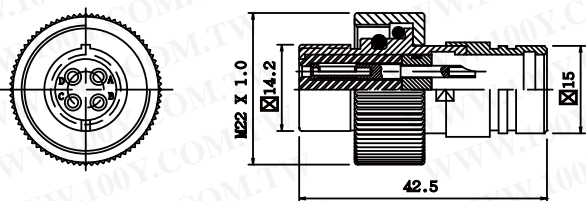


No. of contacts 接點數目	3					
Contacts Configuration 接點方位						
Rated current / voltage 額定電流/電壓	15A 250V					
Operation limit voltage (AC.V.rms) 操作電壓限制	250					
Withstanding voltage (AC.V.rms) 1 minute 耐電壓1分鐘	1500					
Insulation resistance (MΩ MIN.) at DC 500V 絕緣阻抗	2000					
Contact resistance (mΩ MAX.) at DC 1A 接觸阻抗	3					

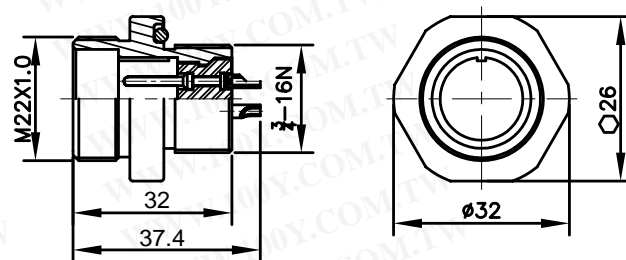
SHELL: STAINLESS STEEL
(不鏽鋼)



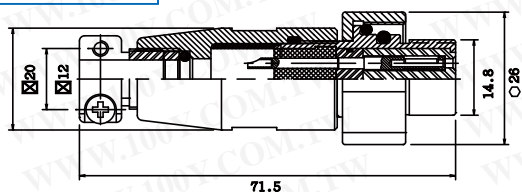
WPM-21 ◆ -PL



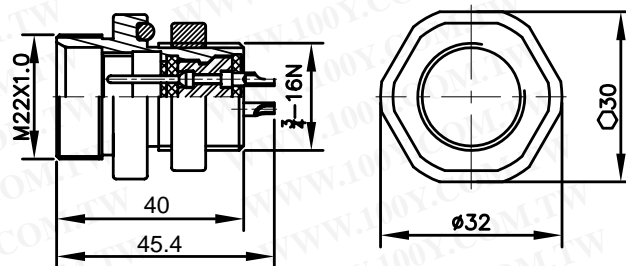
WPM-21 ◆ -R



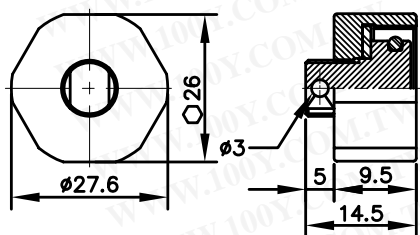
WPM-21 ◆ -P



WPM-21 ◆ -RA



WPM-21 ◆ -RCa

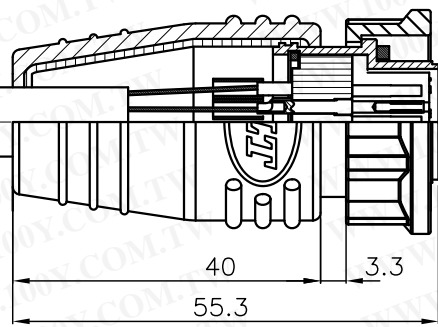
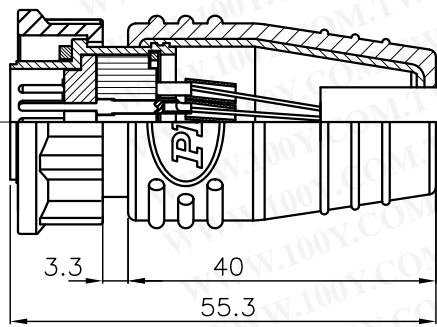
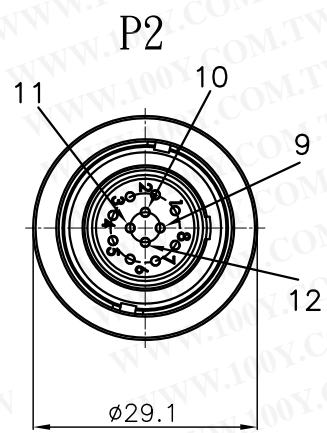
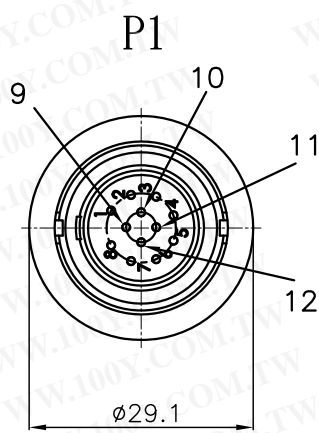


◆ No. of contacts 接點數目	4					
Contacts Configuration 接點方位						
Rated current / voltage 額定電流 / 電壓	10A 100V					
Operation limit voltage (AC.V.rms) 操作電壓限制	100					
Insulation resistance (MΩ MIN.) at DC 500V 絕緣阻抗	200					
Contact resistance (MΩ MAX.) at DC 1A 接觸阻抗	3					
Solder inter diameter 焊孔內徑	1.5					

勝特力材料 886-3-5753170
勝特力电子(上海) 86-21-34970699
勝特力电子(深圳) 86-755-83298787
[Http://www.100y.com.tw](http://www.100y.com.tw)

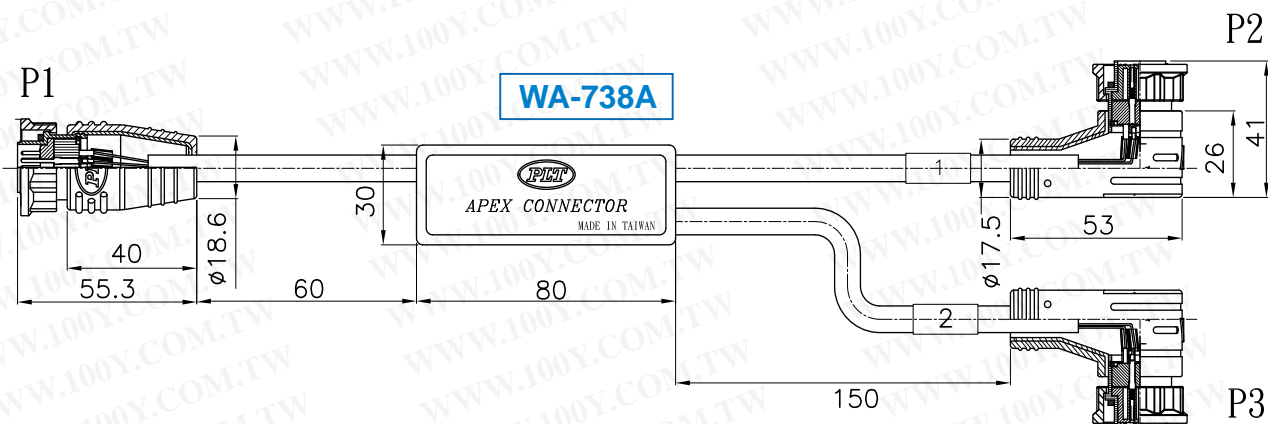




WA-715A



◆ No. Electrical Specification	P1	P2
Contacts Configuration 接點方位		
Withstanding voltage (AC.V.rms) 1 minute 耐電壓1分鐘	≥ 100MΩ at DC 500V	≥ 100MΩ at DC 500V
Insulation resistance (MΩ MIN.) at DC 500V 絕緣阻抗	≥ 300V / 1Minute	≥ 300V / 1Minute

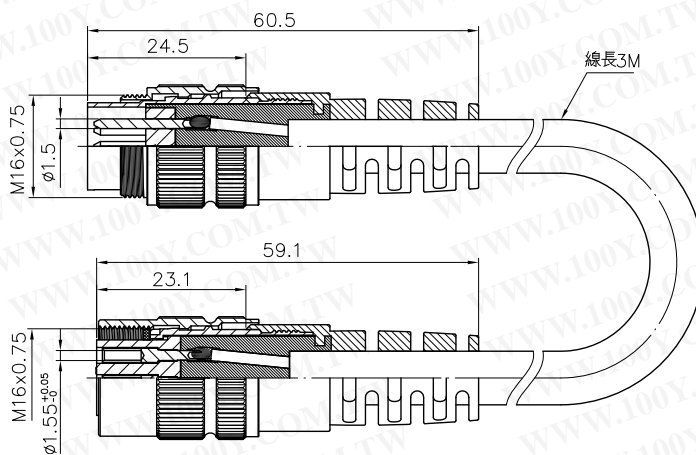
勝特力材料 886-3-5753170
 勝特力电子(上海) 86-21-34970699
 勝特力电子(深圳) 86-755-83298787
[Http://www.100y.com.tw](http://www.100y.com.tw)

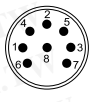


◆ No. Electrical Specification	P1	P2
Contacts Configuration 接點方位		
Withstanding voltage (AC.V.rms) 1 minute 耐電壓1分鐘	≥ 100MΩ at DC 500V	≥ 100MΩ at DC 500V
Insulation resistance (MΩ MIN.) at DC 500V 絕緣阻抗	≥ 300V / 1Minute	≥ 300V / 1Minute



WA-188A

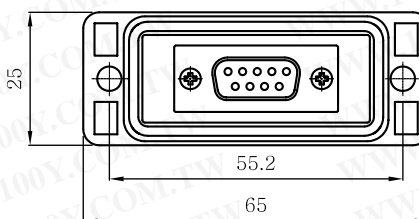
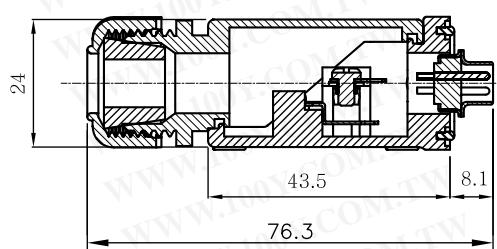
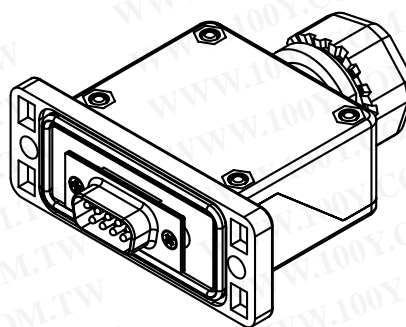
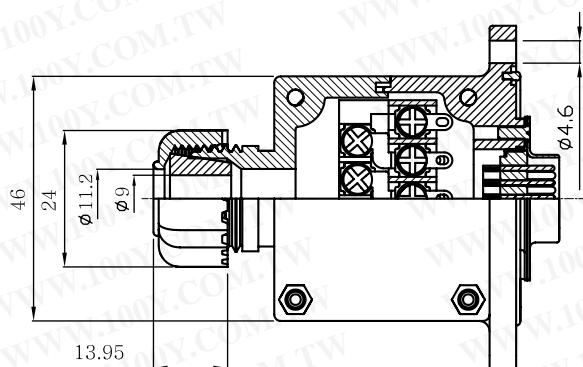


◆ No. of contacts 接點數目	8				
Contacts Configuration 接點方位					
Rated current / voltage 額定電流/電壓	5A 60V				
Withstanding voltage (AC.V.rms) 1 minute 耐電壓1分鐘	300				
Insulation resistance (MΩ MIN.) at DC 500V 絕緣阻抗	100				



勝特力材料 886-3-5753170
勝特力电子(上海) 86-21-34970699
勝特力电子(深圳) 86-755-83298787
[Http://www.100y.com.tw](http://www.100y.com.tw)

PLP-123-P9

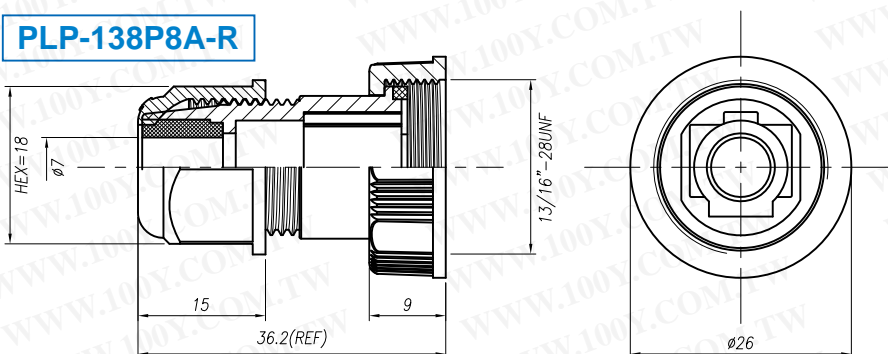


◆No. of contacts 接點數目	9	15	
Contacts Configuration 接點方位			
Rated current / voltage 額定電流/電壓	3A / AC 350V.	3A / AC 350V.	
Operation limit voltage (AC.V.rms) 操作電壓限制			
Withstanding voltage (AC.V.rms) 1 minute 耐電壓1分鐘	1250	1250	
Insulation resistance (MΩ MIN.) at DC 500V 絕緣阻抗	5000	5000	
Contact resistance (mΩ MAX.) at DC 1A 接觸阻抗	25	25	

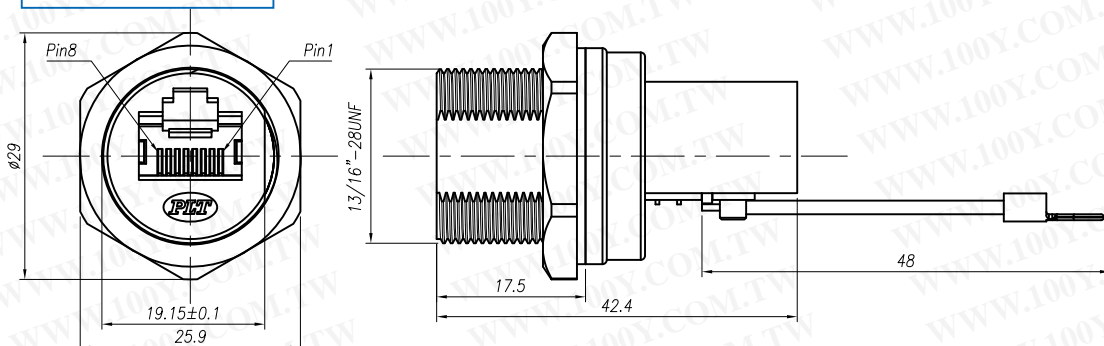
勝特力材料 886-3-5753170
勝特力电子(上海) 86-21-34970699
勝特力电子(深圳) 86-755-83298787
[Http://www.100y.com.tw](http://www.100y.com.tw)



PLP-138P8A-R



PLP-138R8A-R



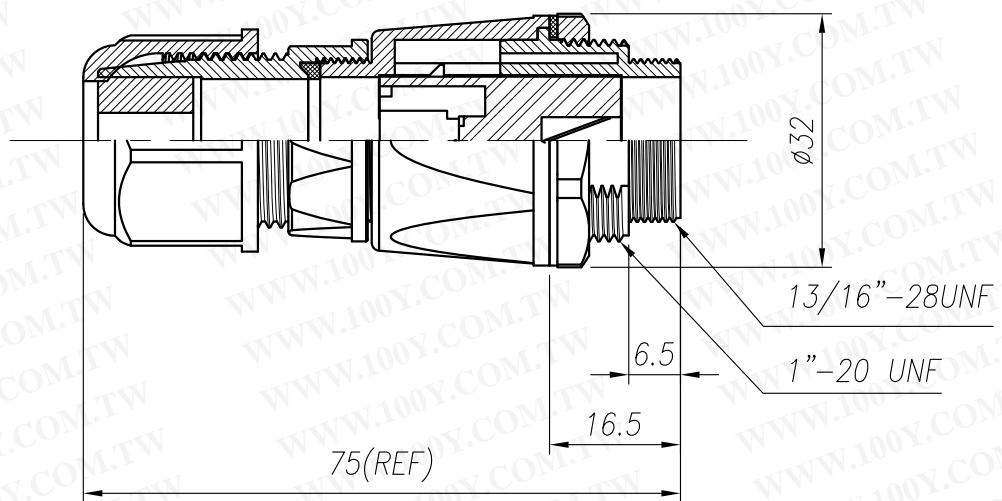
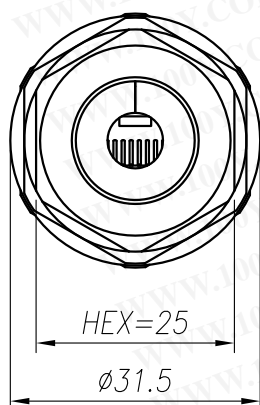
ELECTRICAL SPECIFICATION

Rated current / voltage	AC / DC 5V-5mA min. AC / DC 125V-3A max.
Insulation resistance	500MΩ min. at DC 500V
Withstanding voltage	AC 300V for 1 minute



勝特力材料 886-3-5753170
 勝特力电子(上海) 86-21-34970699
 勝特力电子(深圳) 86-755-83298787
[Http://www.100y.com.tw](http://www.100y.com.tw)

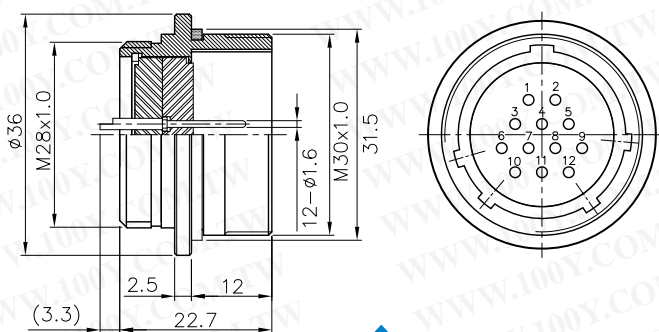
PLP-138AD8A-R



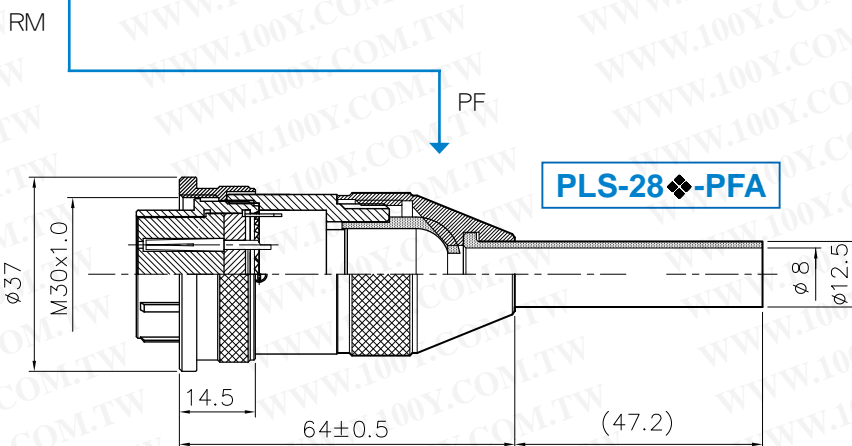
ELECTRICAL SPECIFICATION	
Rated current / voltage	AC / DC 5V-5mA min. AC / DC 125V-3A max.
Insulation resistance	500MΩ min. at DC 500V
Withstanding voltage	AC 300V for 1 minute



PLS-28-RMA



勝特力材料 886-3-5753170
勝特力电子(上海) 86-21-34970699
勝特力电子(深圳) 86-755-83298787
[Http://www.100y.com.tw](http://www.100y.com.tw)



PLS-28-PFA

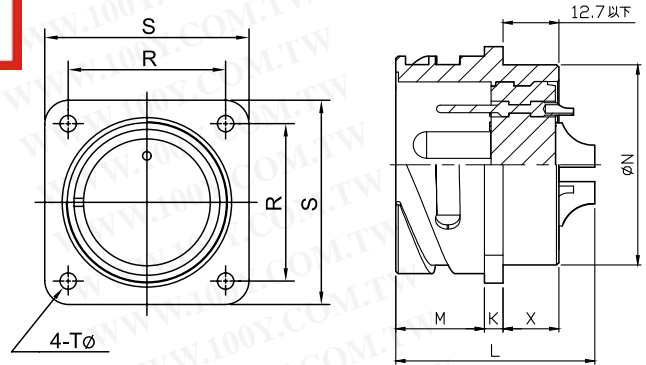
SHELL: STAINLESS STEEL
(不鏽鋼)

No. of contacts 接點數目	12				
Contacts Configuration 接點方位					
Rated current / voltage 額定電流/電壓	10A 250V				
Operation limit voltage (AC.V.rms) 操作電壓限制	125				
Withstanding voltage (AC.V.rms) 1 minute 耐電壓1分鐘	300				
Insulation resistance (MΩ MIN.) at DC 500V 絕緣阻抗	1000				
Contact resistance (mΩ MAX.) at DC 1A 接觸阻抗	3				
Solder inter diameter 焊孔內徑	1.2				

勝特力材料 886-3-5753170
勝特力电子(上海) 86-21-34970699
勝特力电子(深圳) 86-755-83298787
[Http://www.100y.com.tw](http://www.100y.com.tw)



AMS3102R

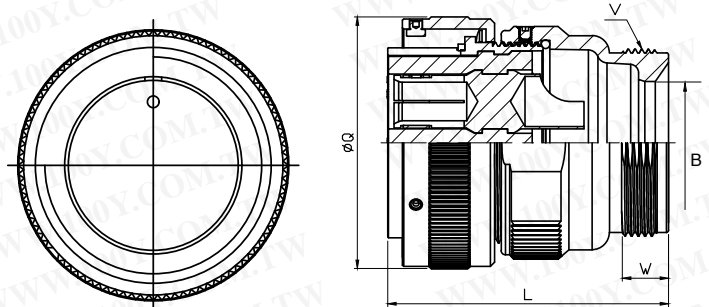


Shell size	Thickness of the assembly rim under K	Length L	Length of assembly rim M + 0.79 - 0	Outer radius of the terminal N + 0 - 4.78	Position of the holes reserved for assembly R ± 0.13	Length of the protruded sides S ± 0.79	Hole diameter of the assembly hole T + 0.25 - 0.13
24	3.0	33.4	20.62	38.91	34.92	44.45	3.73
28	3.0	33.4	20.62	45.26	39.67	50.80	3.73
32	4.3	33.4	22.22	51.26	44.45	57.15	4.39
36	4.3	33.4	22.22	57.96	49.23	63.50	4.39
48	4.3	33.2	22.22	77.90	66.68	82.55	4.39

NO. OF CONTACTS	5 CONTACT	6 CONTACT	2 CONTACT	8 CONTACT	6 CONTACT
SHELL SIZE					
INSERT ARRANGEMENT	24-12	28-22	32-5	32-15	36-3
NUMBER OF CONTACTS	#4x2 PIN(A.C) #12x3 PIN(B.D.E)	#4x3 PIN(A-C) #16x3 PIN(D-F)	#0x2 PIN	#0x2 PIN(A.G) #12x6 PIN(B-F.H)	#0x2 PIN(B.D.F) #12x3 PIN(A.C.E)
SERVICE RATING(ps.1)	A	D	D	D	D



AMS3106M



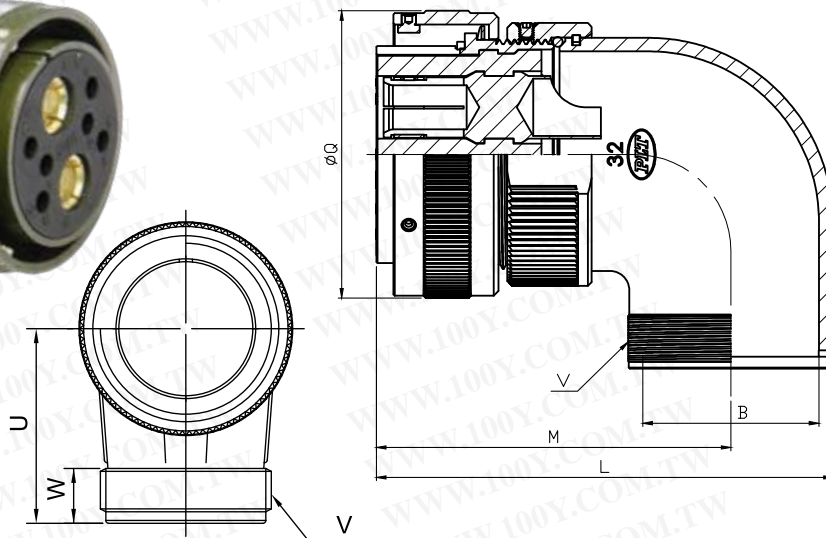
Shell size	Cable end B ± 0.3	Length L	Rear Threads V	Length of thread over
24	29.5	58.72	1-7/16-18UNEF-2A	9.5
28	29.8	58.72	1-7/16-18UNEF-2A	9.5
32	37.5	61.93	1-3/4-18UNEF-2A	11.1
36	43.8	61.93	2-18UNS-2A	12.7
48	69.1	65.07	3-16UN-2A	15.9

NO. OF CONTACTS	5 CONTACT	6 CONTACT	2 CONTACT	8 CONTACT	6 CONTACT
SHELL SIZE					
INSERT ARRANGEMENT	24-12	28-22	32-5	32-15	36-3
NUMBER OF CONTACTS	#4x2 PIN(A.C) #12x3 PIN(B.D.E)	#4x3 PIN(A-C) #16x3 PIN(D-F)	#0x2 PIN	#0x2 PIN(A.G) #12x6 PIN(B-F.H)	#0x2 PIN(B.D.F) #12x3 PIN(A.C.E)
SERVICE RATING(ps.1)	A	D	D	D	D

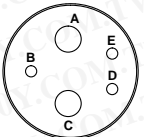
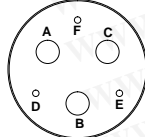
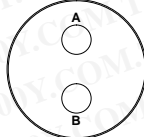
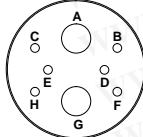
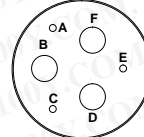
勝特力材料 886-3-5753170
勝特力电子(上海) 86-21-34970699
勝特力电子(深圳) 86-755-83298787
[Http://www.100y.com.tw](http://www.100y.com.tw)



AMS3108M



Shell size (ps.2)	Cable end B ± 0.3	Full length L	M ± 0.8	Outer radius Q ± 0.8	U ± 0.8	Rear Threads V	Length of thread over W
24	29.6 / 28.0	86.5	67.1	43.7	34.9	1-7/16-18UNEF-2A	9.5
28	29.8 / 28.2	86.5	67.1	50.0	38.5	1-7/16-18UNEF-2A	9.5
32	35.9	95.2	71.8	56.4	46.4	1-3/4-18UNEF-2A	11.1
36	42.7 / 42.2	100.0	73.4	62.7	51.2	2-18UNS-2A	12.7
48	69.1 / 65.9	125.4	86.5	81.8	59.1	3-16UN-2A	15.9

NO. OF CONTACTS	5 CONTACT	6 CONTACT	2 CONTACT	8 CONTACT	6 CONTACT
SHELL SIZE					
INSERT ARRANGEMENT	24-12	28-22	32-5	32-15	36-3
NUMBER OF CONTACTS	#4x2 PIN(A.C) #12x3 PIN(B.D.E)	#4x3 PIN(A-C) #16x3 PIN(D-F)	#0x2 PIN	#0x2 PIN(A.G) #12x6 PIN(B-F.H)	#0x2 PIN(B.D.F) #12x3 PIN(A.C.E)
SERVICE RATING(ps.1)	A	D	D	D	D

SERVICE RATING

Service Rating	Operating Voltage(V)	
	DC.V	AC.V(r.m.s.)
INST	250	200
A	700	500
D	1250	900
E	1750	12500
B	2450	1750
C	4200	3000

CONTACT CURRENT RATING

Contact Size	Test Current (Amperes)
#16	13
#12	23
#8	46
#4	80
#0	150

WIRE SIZE

Contact		
Size	Solder Hold	Wire Size A.W.G
#16	1.85 Ø	#16~#22
#12	2.95 Ø	#12~#14
#8	5.31 Ø	#8~#10
#4	8.45 Ø	#4~#6
#0	11.91 Ø	#0~#2