


DMC 1,5/ 3-G1F-3,5-LR P20THR

Order No.: 1787027

<http://eshop.phoenixcontact.de/phoenix/treeViewClick.do?UID=1787027>

Header, Nominal current: 8 A, Rated voltage (III/2): 160 V, Number of positions: 3, Pitch: 3.5 mm, Color: Black, Assembly: SMD/THT/THR

Commercial data

| | |
|--------------------------|---|
| GTIN (EAN) |  4 046356 596534 |
| Note | Made-to-order |
| sales group | E100 |
| Pack | 50 pcs. |
| Customs tariff | 85366990 |
| Catalog page information | Page 177 (CC-2011) |

Product notesWEEE/RoHS-compliant since:
07/12/2010

<http://www.download.phoenixcontact.com>
Please note that the data given here has been taken from the online catalog. For comprehensive information and data, please refer to the user documentation. The General Terms and Conditions of Use apply to Internet downloads.

Technical data**Dimensions / positions**

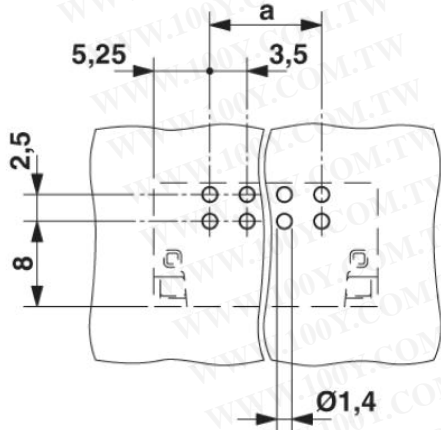
| | |
|---------------------|---------|
| Length | 11.6 mm |
| Height | 12.8 mm |
| Pitch | 3.5 mm |
| Dimension a | 7 mm |
| Number of positions | 3 |

勝特力材料 886-3-5753170
勝特力电子(上海) 86-21-34970699
勝特力电子(深圳) 86-755-83298787
[Http://www.100y.com.tw](http://www.100y.com.tw)

| | |
|------------------------------------|--------------------|
| Pin dimensions | 0,8 x 0,8 mm |
| Pin spacing | 2.50 mm |
| Hole diameter | 1.4 mm |
| Technical data | |
| Range of articles | DMC 1,5/..-G1F-THR |
| Insulating material group | IIIa |
| Rated surge voltage (III/3) | 2.5 kV |
| Rated surge voltage (III/2) | 2.5 kV |
| Rated surge voltage (II/2) | 2.5 kV |
| Rated voltage (III/2) | 160 V |
| Rated voltage (II/2) | 250 V |
| Connection in acc. with standard | EN-VDE |
| Nominal current I_N | 8 A |
| Nominal voltage U_N | 160 V |
| Maximum load current | 8 A |
| Insulating material | LCP |
| Inflammability class acc. to UL 94 | V0 |
| Color | Black |

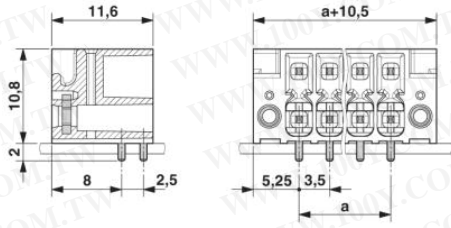
Diagrams/Drawings

Drilling plan/solder pad geometry

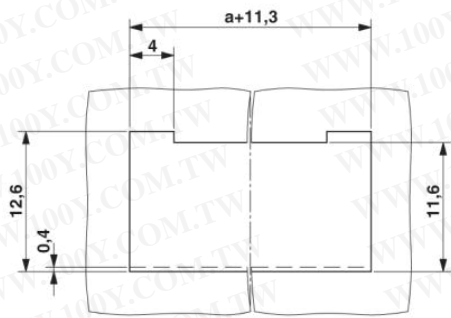


勝特力材料 886-3-5753170
 勝特力电子(上海) 86-21-34970699
 勝特力电子(深圳) 86-755-83298787
[Http://www.100y.com.tw](http://www.100y.com.tw)

Dimensioned drawing



Schematic diagram



勝特力材料 886-3-5753170
勝特力电子(上海) 86-21-34970699
勝特力电子(深圳) 86-755-83298787
[Http://www.100y.com.tw](http://www.100y.com.tw)

Address

PHOENIX CONTACT Deutschland GmbH
Flachmarktstr. 8
32825 Blomberg, Germany
Phone +49 5235 3 12000
Fax +49 5235 3 41200
<http://www.phoenixcontact.de>



© 2011 Phoenix Contact
Technical modifications reserved;

勝特力材料 886-3-5753170
勝特力电子(上海) 86-21-34970699
勝特力电子(深圳) 86-755-83298787
[Http://www.100y.com.tw](http://www.100y.com.tw)