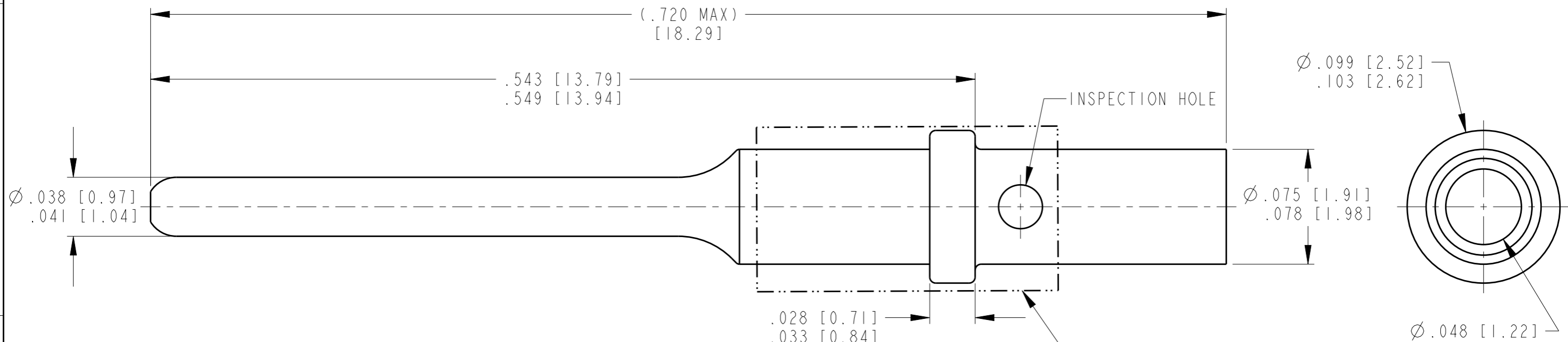


THIS DRAWING IS UNPUBLISHED  
RELEASED FOR PUBLICATION 2017  
© COPYRIGHT 1997 BY TE CONNECTIVITY ALL RIGHTS RESERVED.

REVISIONS					
P	LTR	DESCRIPTION	DATE	DWN	APVD
	D	REVISED PER PCN E-18-001206	24JAN2018	JA	DM
	DI	REVISED PER PCN E-19-018080	19NOV2019	MK	DM



勝特力電材超市-龍山店 886-3-5773766  
 勝特力電材超市-光復店 886-3-5729570  
 勝特力电子(上海) 86-21-34970699  
 勝特力电子(深圳) 86-755-83298787  
<http://www.100y.com.tw>

TE INTERNAL PN	DEUTSCH PN	PLATING
0460-202-2031	0460-202-2031	GOLD
0460-202-20141	0460-202-20141	NICKEL
0460-202-20309	0460-202-20309	TIN

(DI) I. SEE APPLICATION SPECIFICATION 114-151004 FOR CRIMP TOOLS AND WIRE RANGE

NOTES: UNLESS OTHERWISE SPECIFIED

THIS DRAWING IS A CONTROLLED DOCUMENT.		DWN D. MEYER 18DEC1997			
DIMENSIONS: INCHES [mm]		CHK D. MEYER 02DEC2011			
TOLERANCES UNLESS OTHERWISE SPECIFIED:		APVD R. REED 05DEC2011	NAME CONTACT PIN SIZE 20		
0 PLC ± 1 PLC ± 2 PLC ± 3 PLC ± 4 PLC ± ANGLES ±		PRODUCT SPEC 108-151004	SIZE A3		
MATERIAL		APPLICATION SPEC 114-151004	CAGE CODE 4AFU8	DRAWING NO 0460-202-20XX	RESTRICTED TO
FINISH		WEIGHT 0.26g	SCALE 15:1		
		CUSTOMER DRAWING	SHEET 1 OF 1 REV DI		



DEUTSCH | DEUTSCH Common Contact

TE Internal #: 0460-202-20141

Automotive Terminals, Pin, Pin Diameter 1 mm [.04 in], 24 – 20 AWG Wire Size, .204 – .518 mm<sup>2</sup> Wire Size, DEUTSCH Common Contact

[View on TE.com >](#)

Terminals & Splices > Automotive Terminals > DEUTSCH Solid Contacts



Terminal Type: **Pin**

Mating Pin Diameter: **1 mm [.04 in]**

Terminal Transmits: **0 – 24 A (Low Power)**

Wire Size: **.204 – .518 mm<sup>2</sup>**

[All DEUTSCH Solid Contacts \(46\)](#)

## Features

### Product Type Features

Receptacle Style	180°
Sealable	No

### Contact Features

Contact Size	Size 20
Contact Fabrication	Solid
Wire Contact Termination Area Plating Material	Nickel
Typical Current Rating	7.5 A
Crimp Type	Indent
Terminal Type	Pin
Mating Pin Diameter	1 mm [.04 in]
Interface Plating	Nickel (Ni)

### Termination Features

Termination Method to Wire & Cable	Crimp
Product Terminates To	Wire

### Dimensions

Wire Size	.204 – .518 mm <sup>2</sup>
-----------	-----------------------------

### Usage Conditions



Insulation Option	Uninsulated
Operating Temperature (Max)	125 °C[257 °F]
Operating Temperature Range	-55 – 125 °C[-67 – 257 °F]

### Operation/Application

Compatible With Wire Base Material	Copper
------------------------------------	--------

### Packaging Features

Packaging Quantity	5000
Packaging Method	Crate

### Other

Customer Preferred Contact	Yes
Terminal Transmits	0 – 24 A (Low Power)

## Product Compliance

[For compliance documentation, visit the product page on TE.com>](#)

EU RoHS Directive 2011/65/EU	Compliant with Exemptions
EU ELV Directive 2000/53/EC	Compliant with Exemptions
China RoHS 2 Directive MIIT Order No 32, 2016	Restricted Materials Above Threshold
EU REACH Regulation (EC) No. 1907/2006	Current ECHA Candidate List: JAN 2024 (240) Candidate List Declared Against: JAN 2024 (240) SVHC > Threshold: Pb (1.2% in Component Part) <b>Article Safe Usage Statements:</b> Do not eat, drink or smoke when using this product. Wash thoroughly after handling. Recycle if possible and dispose of the article by following all applicable governmental regulations relevant to your geographic location.
Halogen Content	Low Halogen - Br, Cl, F, I < 900 ppm per homogenous material. Also BFR/CFR/PVC Free
Solder Process Capability	Not reviewed for solder process capability

#### Product Compliance Disclaimer

This information is provided based on reasonable inquiry of our suppliers and represents our current actual knowledge based on the information they provided. This information is subject to change. The part numbers that TE has identified as EU RoHS compliant have a maximum concentration of 0.1% by weight in homogenous materials for lead, hexavalent chromium, mercury, PBB, PBDE, DBP, BBP, DEHP, DIBP, and 0.01% for cadmium, or qualify for an exemption to these limits as defined in the Annexes of Directive 2011/65/EU (RoHS2). Finished electrical and electronic equipment products will be CE marked as required by Directive 2011/65/EU. Components may not be CE marked. Additionally, the part numbers that TE has identified as EU ELV compliant have a maximum concentration of 0.1% by weight in homogenous materials for lead, hexavalent chromium, and mercury, and 0.01% for cadmium, or qualify for an exemption to these limits as defined in the Annexes of Directive 2000/53/EC (ELV). Regarding the REACH Regulation, the information TE provides

on SVHC in articles for this part number is based on the latest European Chemicals Agency (ECHA) 'Guidance on requirements for substances in articles' posted at this URL: <https://echa.europa.eu/guidance-documents/guidance-on-reach>


## Compatible Parts




TE Part # CAT-H3930-CH8172  
DEUTSCH HD30 Housings




TE Part # CAT-H396-CH8172  
DEUTSCH HDP20 Housings



TE Part # CAT-D485-CH8172  
DEUTSCH DTM Housings



TE Part # CAT-D781-CH8172  
DEUTSCH DRB Housings



TE Part # CAT-D48-ST273  
DEUTSCH Solid Contacts



TE Part # HDT-48-00  
CRIMP TOOL, HAND



TE Part # HDT-50-00  
CRIMP TOOL



TE Part # DTM04-08PC  
REC, 8P, GRN, N, C



TE Part # 1062-20-0622  
SOC, SF, SIZE 20, 14-16, NI/NI



TE Part # DTM04-3P-R011  
REC, 3P, BLK, 90DEG, PANEL



TE Part # DTMH04-4PD  
REC, 4P, BLK, N, HI TEMP, D



TE Part # HDP-400  
POWER CRIMPER



TE Part # CAT-D799-CH8172  
DEUTSCH DRC Housings



TE Part # CAT-ST858-CH8172  
DEUTSCH Strike Housings



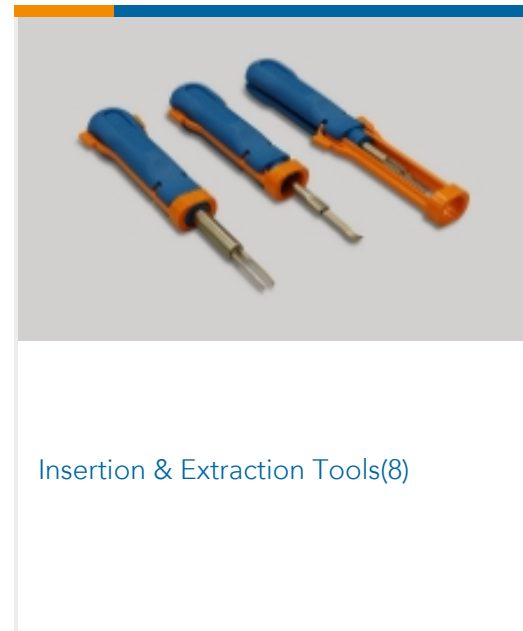
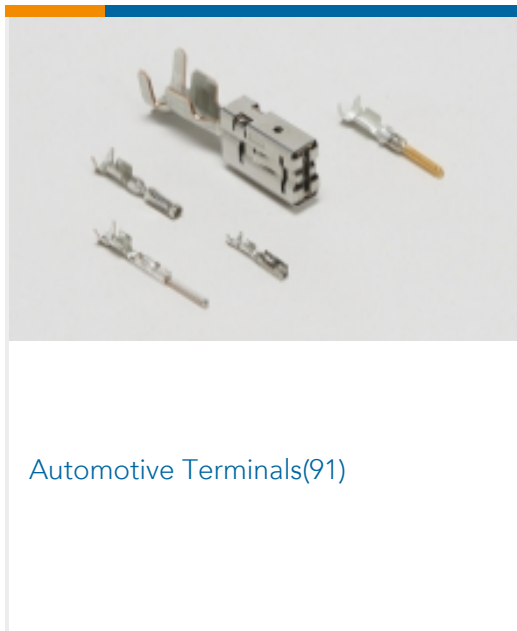
TE Part # DTM04-12PA-EE04  
REC, 12P, BLK, N, HIGH TEMP, A



TE Part # 1062-20-0222  
SOC, SF, SIZE 20, 16-22, NI/NI



## Also in the Series | DEUTSCH Common Contact



## Customers Also Bought



## Documents

### Product Drawings

PIN, SOLID, SIZE 20, 20AWG, NI

English

### CAD Files

3D PDF

3D

Customer View Model

[ENG\\_CVM\\_CVM\\_0460-202-20141\\_C.2d\\_dxf.zip](#)

English

Customer View Model

[ENG\\_CVM\\_CVM\\_0460-202-20141\\_C.3d\\_igs.zip](#)

English

Customer View Model

[ENG\\_CVM\\_CVM\\_0460-202-20141\\_C.3d\\_stp.zip](#)



English

By downloading the CAD file I accept and agree to the [Terms and Conditions](#) of use.

## Datasheets & Catalog Pages

[CONNECTOR SELECTOR](#)

English

## Product Specifications

[Engineering Report](#)

English