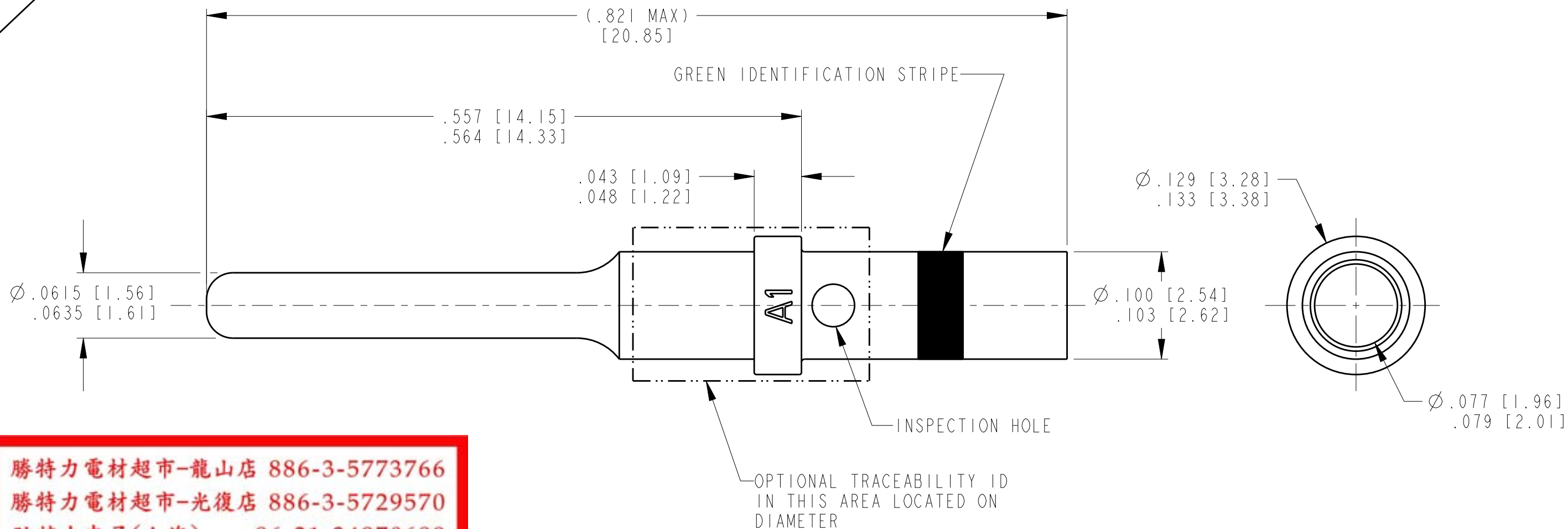
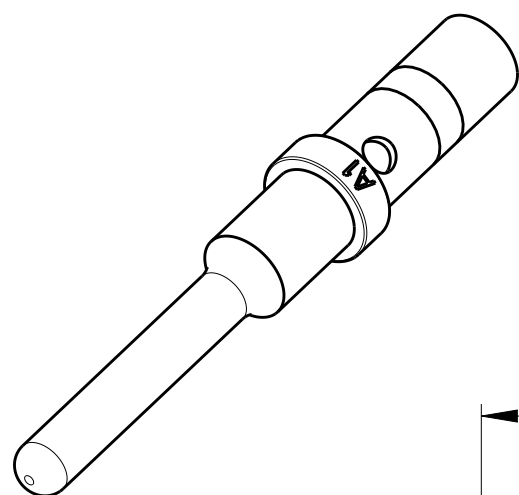


THIS DRAWING IS UNPUBLISHED
RELEASED FOR PUBLICATION 2018
COPYRIGHT 1995 BY TE CONNECTIVITY ALL RIGHTS RESERVED.

REVISIONS					
P	LTR	DESCRIPTION	DATE	DWN	APVD
	E	REVISED PER PCN E-18-001206	24JAN2018	JA	DM
	E1	REVISED PER PCN E-19-018080	19NOV2019	MK	DM



勝特力電材超市-龍山店 886-3-5773766
 勝特力電材超市-光復店 886-3-5729570
 勝特力电子(上海) 86-21-34970699
 勝特力电子(深圳) 86-755-83298787
<http://www.100y.com.tw>

TE INTERNAL PN	DEUTSCH PN	PLATING
0460-215-1631	0460-215-1631	GOLD
0460-215-16141	0460-215-16141	NICKEL

(E1) I. SEE APPLICATION SPECIFICATION 114-151004 FOR CRIMP TOOLS AND WIRE RANGE.

NOTES:

THIS DRAWING IS A CONTROLLED DOCUMENT.		DWN D. SPENCER 02OCT1999		
DIMENSIONS: INCHES [mm]		CHK B. BYFORD 23JUN2000		
TOLERANCES UNLESS OTHERWISE SPECIFIED:		APVD D. MEYER 22JUN2000	NAME CONTACT, PIN SIZE 16 14 AWG WIRE [2.00mm ²]	
0 PLC ±		PRODUCT SPEC 108-151004	SIZE A3	
1 PLC ±		APPLICATION SPEC 114-151004	CAGE CODE 4AFU8	DRAWING NO 0460-215-16XX
2 PLC ±		WEIGHT 0.54g	RESTRICTED TO	
3 PLC ±		CUSTOMER DRAWING	SCALE 10:1	SHEET 1 OF 1
4 PLC ±			REV E1	
ANGLES ±				
FINISH				
MATERIAL				

0460-215-16141 ✓ ACTIVE

DEUTSCH | DEUTSCH Common Contact

TE Internal #: 0460-215-16141

Automotive Terminals, Pin, Pin Diameter 1.5 mm [.062 in], 16 – 14 AWG Wire Size, 1.31 – 2.08 mm² Wire Size, DEUTSCH Common Contact

[View on TE.com >](#)



Terminals & Splices > Automotive Terminals > DEUTSCH Solid Contacts



Terminal Type: **Pin**

Mating Pin Diameter: **1.5 mm [.062 in]**

Terminal Transmits: **0 – 24 A (Low Power)**

Wire Size: **1.31 – 2.08 mm²**

[All DEUTSCH Solid Contacts \(46\)](#)

Features

Product Type Features

Receptacle Style	180°
Sealable	No
Primary Locking Feature	Clean Body

Contact Features

Contact Size	Size 16
Contact Fabrication	Solid
Wire Contact Termination Area Plating Material	Nickel
Typical Current Rating	13 A
Crimp Type	Indent
Terminal Type	Pin
Mating Pin Diameter	1.5 mm [.062 in]
Interface Plating	Nickel (Ni)

Termination Features

Termination Method to Wire & Cable	Crimp
Product Terminates To	Wire

Dimensions

Wire Size	1.31 – 2.08 mm ²
-----------	-----------------------------



Tab Length 20.57 mm[.81 in]

Usage Conditions

Insulation Option	Uninsulated
Operating Temperature (Max)	125 °C[257 °F]
Operating Temperature Range	-55 – 125 °C[-67 – 257 °F]

Operation/Application

Compatible With Wire Base Material	Copper
------------------------------------	--------

Packaging Features

Packaging Quantity	2500
Packaging Method	Carrier

Other

Customer Preferred Contact	Yes
Terminal Transmits	0 – 24 A (Low Power)

Product Compliance

[For compliance documentation, visit the product page on TE.com>](#)

EU RoHS Directive 2011/65/EU	Compliant with Exemptions
EU ELV Directive 2000/53/EC	Compliant with Exemptions
China RoHS 2 Directive MIIT Order No 32, 2016	Restricted Materials Above Threshold
EU REACH Regulation (EC) No. 1907/2006	Current ECHA Candidate List: JAN 2024 (240) Candidate List Declared Against: JAN 2024 (240) SVHC > Threshold: Pb (1% in Component Part) Article Safe Usage Statements: Do not eat, drink or smoke when using this product. Wash thoroughly after handling. Recycle if possible and dispose of the article by following all applicable governmental regulations relevant to your geographic location.
Halogen Content	Low Halogen - Br, Cl, F, I < 900 ppm per homogenous material. Also BFR/CFR/PVC Free
Solder Process Capability	Not reviewed for solder process capability

Product Compliance Disclaimer

This information is provided based on reasonable inquiry of our suppliers and represents our current actual knowledge based on the information they provided. This information is subject to change. The part numbers that TE has identified as EU RoHS compliant have a maximum concentration of 0.1% by weight in homogenous materials for lead, hexavalent chromium, mercury, PBB, PBDE, DBP, BBP, DEHP, DIBP, and 0.01% for cadmium, or qualify for an exemption to these limits as defined in the Annexes of Directive 2011/65/EU (RoHS2). Finished electrical and electronic equipment products will be CE marked as required by Directive 2011/65/EU. Components may not be CE marked. Additionally, the part

numbers that TE has identified as EU ELV compliant have a maximum concentration of 0.1% by weight in homogenous materials for lead, hexavalent chromium, and mercury, and 0.01% for cadmium, or qualify for an exemption to these limits as defined in the Annexes of Directive 2000/53/EC (ELV). Regarding the REACH Regulation, the information TE provides on SVHC in articles for this part number is based on the latest European Chemicals Agency (ECHA) 'Guidance on requirements for substances in articles' posted at this URL: <https://echa.europa.eu/guidance-documents/guidance-on-reach>

Compatible Parts



TE Part # CAT-H3930-CH8172
DEUTSCH HD30 Housings




TE Part # CAT-J41-DDRC
DEUTSCH DT Receptacle Connectors



TE Part # CAT-H396-CH8172
DEUTSCH HDP20 Housings



TE Part # CAT-H3910-CH8172
DEUTSCH HD10 Housings



TE Part # CAT-D781-CH8172
DEUTSCH DRB Housings



TE Part # CAT-D799-CH8172
DEUTSCH DRC Housings



TE Part # CAT-J67-DSCC16
DEUTSCH Size 16 Crimp Contacts



TE Part # JS-16-00
JIFFY SPLICE, Size 16



TE Part # CAT-J41-DDCC
DEUTSCH DT Color Connectors



TE Part # HDT-48-00
CRIMP TOOL, HAND



TE Part # HDT-50-00
CRIMP TOOL



TE Part # HDP-400
POWER CRIMPER




TE Part # CAT-D487-CH8172
DEUTSCH DT Series Housings & Connectors



TE Part # CAT-ST858-CH8172
DEUTSCH Strike Housings



TE Part # 2286003-3
2POS. DT. REC HSG. ASSY. SEALED



TE Part # CAT-D48-ST273
DEUTSCH Solid Contacts



TE Part # DTV02-18PA
REC, 18P, GRY, N, FLANGE, A



TE Part # DTV02-18PB
REC, 18P, BLK, N, FLANGE, B

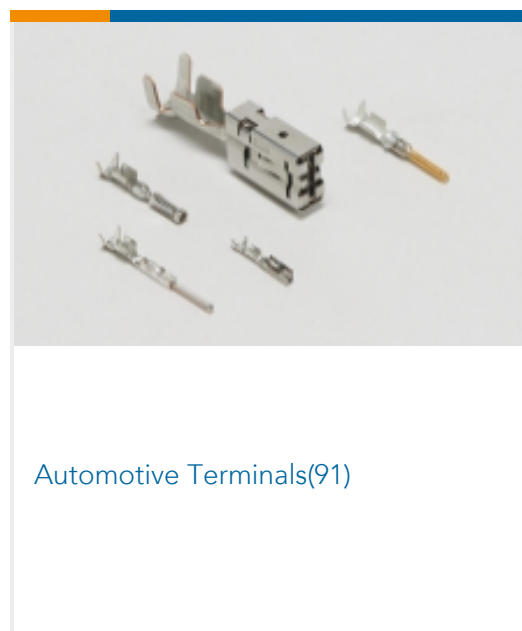


TE Part # DTV02-18PB-C032
REC, 18P, BLK, N, FLANGE, 7-12
BLOCK, B

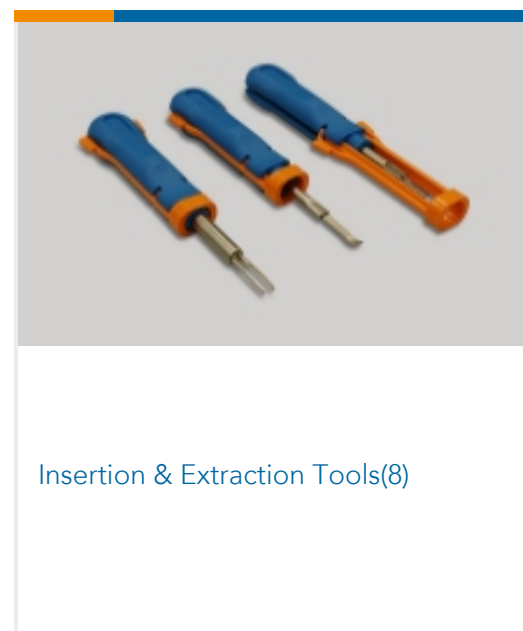


TE Part # 2375997-2
DT04-08PB-P093, REC, 8P BLK, BUSBAR
G, 4X2, B

Also in the Series | DEUTSCH Common Contact



Automotive Terminals(91)



Insertion & Extraction Tools(8)

Customers Also Bought



TE Part #0460-204-12141
DEUTSCH Solid Contacts



TE Part #DT04-2P
DEUTSCH DT Receptacle Connectors



TE Part #W3P
Wedgelocks: DEUTSCH DT



TE Part #114017-ZZ
SEALING PLUG, SIZE 12/16, WHT

Documents

Product Drawings

PIN, SOLID, SIZE 16, 14AWG, NI

English

CAD Files

3D PDF

3D

Customer View Model

[ENG_CVM_CVM_0460-215-16141_99_c-0460-215-16141-99.2d_dxf.zip](#)

English

Customer View Model

[ENG_CVM_CVM_0460-215-16141_99_c-0460-215-16141-99.3d_igs.zip](#)

English

Customer View Model

[ENG_CVM_CVM_0460-215-16141_99_c-0460-215-16141-99.3d_stp.zip](#)



English

By downloading the CAD file I accept and agree to the [Terms and Conditions](#) of use.

Datasheets & Catalog Pages

[CONNECTOR SELECTOR](#)

English

Product Specifications

[Engineering Report](#)

English