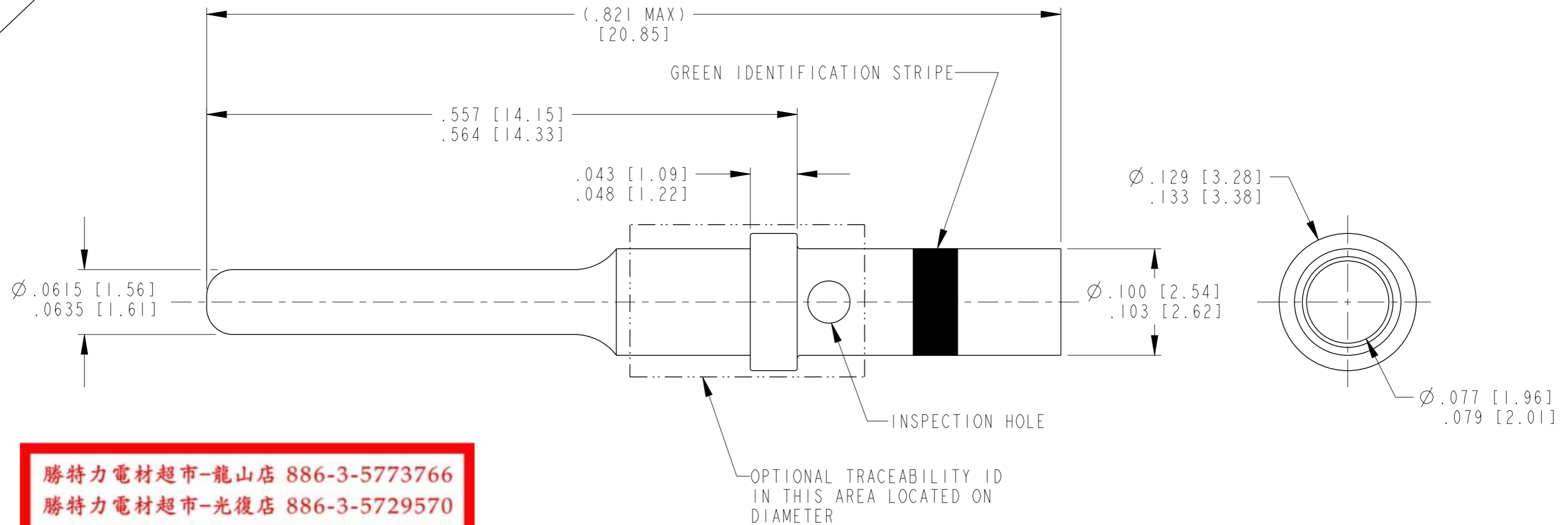
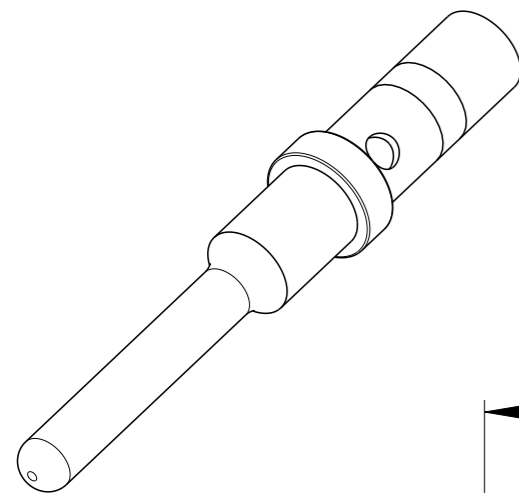


REVISIONS

P	LTR	DESCRIPTION	DATE	DWN	APVD
	E	REVISED PER PCN E-18-001206	24JAN2018	JA	DM



勝特力電材超市-龍山店 886-3-5773766  
 勝特力電材超市-光復店 886-3-5729570  
 勝特力電子(上海) 86-21-34970699  
 勝特力電子(深圳) 86-755-83298787  
<http://www.100y.com.tw>

TE INTERNAL PN	DEUTSCH PN	PLATING
0460-215-1631	0460-215-1631	GOLD
0460-215-16141	0460-215-16141	NICKEL

THIS DRAWING IS A CONTROLLED DOCUMENT.		DWN D. SPENCER 02OCT1999														
DIMENSIONS: INCHES [mm]		CHK B. BYFORD 23JUN2000														
TOLERANCES UNLESS OTHERWISE SPECIFIED:		APVD D. MEYER 22JUN2000	NAME CONTACT, PIN SIZE 16 14 AWG WIRE [2.00mm <sup>2</sup> ]													
<table border="0"> <tr><td>0 PLC</td><td>±</td></tr> <tr><td>1 PLC</td><td>±</td></tr> <tr><td>2 PLC</td><td>±</td></tr> <tr><td>3 PLC</td><td>±</td></tr> <tr><td>4 PLC</td><td>±</td></tr> <tr><td>ANGLES</td><td>±</td></tr> </table>		0 PLC	±	1 PLC	±	2 PLC	±	3 PLC	±	4 PLC	±	ANGLES	±	PRODUCT SPEC 0425-015-0000	SIZE A3	
0 PLC	±															
1 PLC	±															
2 PLC	±															
3 PLC	±															
4 PLC	±															
ANGLES	±															
MATERIAL		APPLICATION SPEC 0425-205-0000	CAGE CODE 4AFU8	DRAWING NO 0460-215-16XX												
FINISH		WEIGHT 0.54g	RESTRICTED TO													
		CUSTOMER DRAWING	SCALE 10:1	SHEET 1 OF 1												
			REV E													

1. WIRE RANGE : 14 AWG [2.0 mm<sup>2</sup>].

NOTES:

0460-215-1631 ✓ ACTIVE

DEUTSCH | DEUTSCH Common Contact

TE Internal #: 0460-215-1631

Automotive Terminals, Pin, Pin Diameter 1.5 mm [.062 in], 16 – 14 AWG Wire Size, 1.31 – 2.08 mm<sup>2</sup> Wire Size, DEUTSCH Common Contact

[View on TE.com >](#)



Terminals & Splices > Automotive Terminals > DEUTSCH Solid Contacts



Terminal Type: **Pin**

Mating Pin Diameter: **1.5 mm [.062 in]**

Terminal Transmits: **0 – 24 A (Low Power)**

Wire Size: **1.31 – 2.08 mm<sup>2</sup>**

[All DEUTSCH Solid Contacts \(46\)](#)

## Features

### Product Type Features

Receptacle Style	180°
Sealable	No
Primary Locking Feature	Clean Body

### Contact Features

Contact Size	Size 16
Contact Fabrication	Solid
Wire Contact Termination Area Plating Material	Gold
Typical Current Rating	13 A
Crimp Type	Indent
Terminal Type	Pin
Mating Pin Diameter	1.5 mm [.062 in]
Interface Plating	Gold (Au)

### Termination Features

Termination Method to Wire & Cable	Crimp
Product Terminates To	Wire

### Dimensions

Wire Size	1.31 – 2.08 mm <sup>2</sup>
-----------	-----------------------------



Tab Length 20.85 mm[.82 in]

**Usage Conditions**

Insulation Option	Uninsulated
Operating Temperature (Max)	150 °C[302 °F]
Operating Temperature Range	-55 – 150 °C[-67 – 302 °F]

**Operation/Application**

Compatible With Wire Base Material	Copper
------------------------------------	--------

**Packaging Features**

Packaging Quantity	2500
Packaging Method	Crate

**Other**

Customer Preferred Contact	Yes
Terminal Transmits	0 – 24 A (Low Power)

**Product Compliance**

[For compliance documentation, visit the product page on TE.com>](#)

EU RoHS Directive 2011/65/EU	Compliant with Exemptions
EU ELV Directive 2000/53/EC	Compliant with Exemptions
China RoHS 2 Directive MIIT Order No 32, 2016	Restricted Materials Above Threshold
EU REACH Regulation (EC) No. 1907/2006	Current ECHA Candidate List: JAN 2024 (240) Candidate List Declared Against: JAN 2024 (240) SVHC > Threshold: Pb (1% in Component Part) <b>Article Safe Usage Statements:</b> Do not eat, drink or smoke when using this product. Wash thoroughly after handling. Recycle if possible and dispose of the article by following all applicable governmental regulations relevant to your geographic location.
Halogen Content	Low Halogen - Br, Cl, F, I < 900 ppm per homogenous material. Also BFR/CFR/PVC Free
Solder Process Capability	Not reviewed for solder process capability

Product Compliance Disclaimer

This information is provided based on reasonable inquiry of our suppliers and represents our current actual knowledge based on the information they provided. This information is subject to change. The part numbers that TE has identified as EU RoHS compliant have a maximum concentration of 0.1% by weight in homogenous materials for lead, hexavalent chromium, mercury, PBB, PBDE, DBP, BBP, DEHP, DIBP, and 0.01% for cadmium, or qualify for an exemption to these limits as defined in the Annexes of Directive 2011/65/EU (RoHS2). Finished electrical and electronic equipment products will be CE marked as required by Directive 2011/65/EU. Components may not be CE marked. Additionally, the part

numbers that TE has identified as EU ELV compliant have a maximum concentration of 0.1% by weight in homogenous materials for lead, hexavalent chromium, and mercury, and 0.01% for cadmium, or qualify for an exemption to these limits as defined in the Annexes of Directive 2000/53/EC (ELV). Regarding the REACH Regulation, the information TE provides on SVHC in articles for this part number is based on the latest European Chemicals Agency (ECHA) 'Guidance on requirements for substances in articles' posted at this URL: <https://echa.europa.eu/guidance-documents/guidance-on-reach>

## Compatible Parts



TE Part # CAT-H3930-CH8172  
DEUTSCH HD30 Housings




TE Part # CAT-J41-DDRC  
DEUTSCH DT Receptacle Connectors



TE Part # CAT-H396-CH8172  
DEUTSCH HDP20 Housings



TE Part # CAT-H3910-CH8172  
DEUTSCH HD10 Housings




TE Part # CAT-D781-CH8172  
DEUTSCH DRB Housings



TE Part # CAT-D799-CH8172  
DEUTSCH DRC Housings



TE Part # JS-16-00  
JIFFY SPLICE, Size 16



TE Part # CAT-D48-ST273  
DEUTSCH Solid Contacts



TE Part # CAT-J67-DSCC16  
DEUTSCH Size 16 Crimp Contacts



TE Part # CAT-J41-DDCC  
DEUTSCH DT Color Connectors



TE Part # HDT-48-00  
CRIMP TOOL, HAND



TE Part # HDT-50-00  
CRIMP TOOL



TE Part # HDP-400  
POWER CRIMPER



TE Part # CAT-D487-CH8172  
DEUTSCH DT Series Housings & Connectors



TE Part # CAT-ST858-CH8172  
DEUTSCH Strike Housings

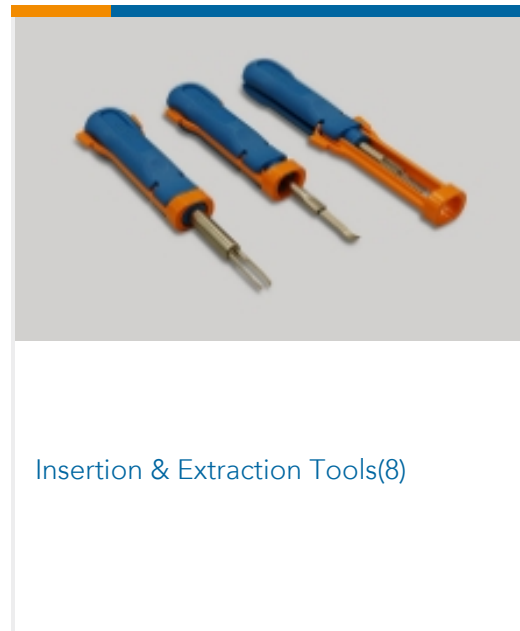
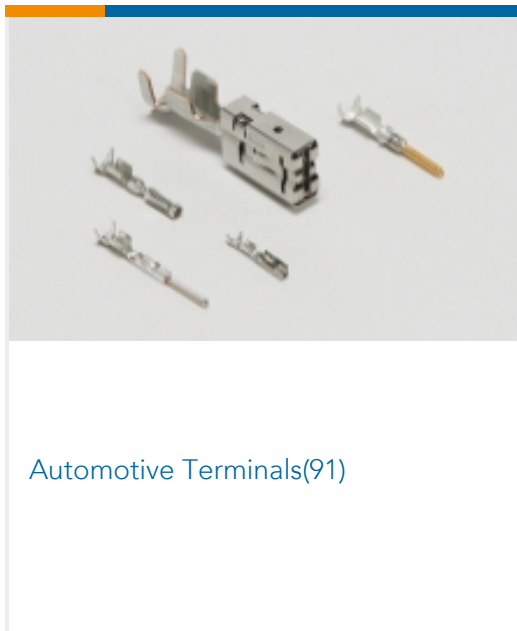


TE Part # 2286003-3  
2POS. DT. REC HSG. ASSY. SEALED

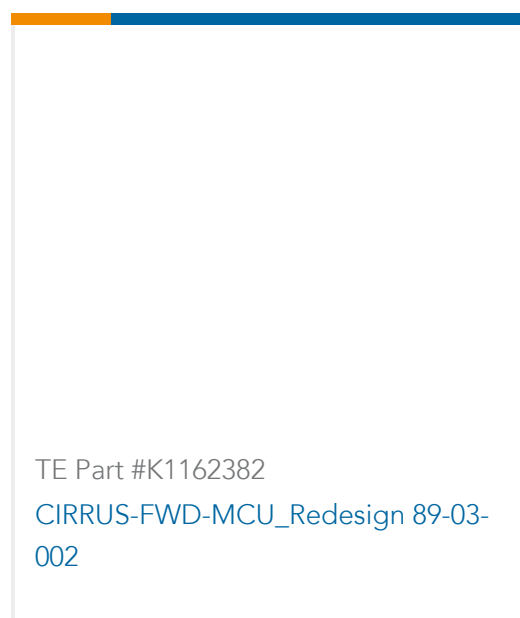




## Also in the Series | DEUTSCH Common Contact



## Customers Also Bought



## Documents

### Product Drawings

PIN, SOLID, SIZE 16, 14AWG, AU

English

### CAD Files

3D PDF

3D



**Customer View Model**

[ENG\\_CVM\\_CVM\\_0460-215-1631\\_G.2d\\_dxf.zip](#)

English

**Customer View Model**

[ENG\\_CVM\\_CVM\\_0460-215-1631\\_G.3d\\_igs.zip](#)

English

**Customer View Model**

[ENG\\_CVM\\_CVM\\_0460-215-1631\\_G.3d\\_stp.zip](#)

English

By downloading the CAD file I accept and agree to the [Terms and Conditions](#) of use.

---

**Datasheets & Catalog Pages**

[CONNECTOR SELECTOR](#)

English

---

**Product Specifications**

[Application Specification](#)

English