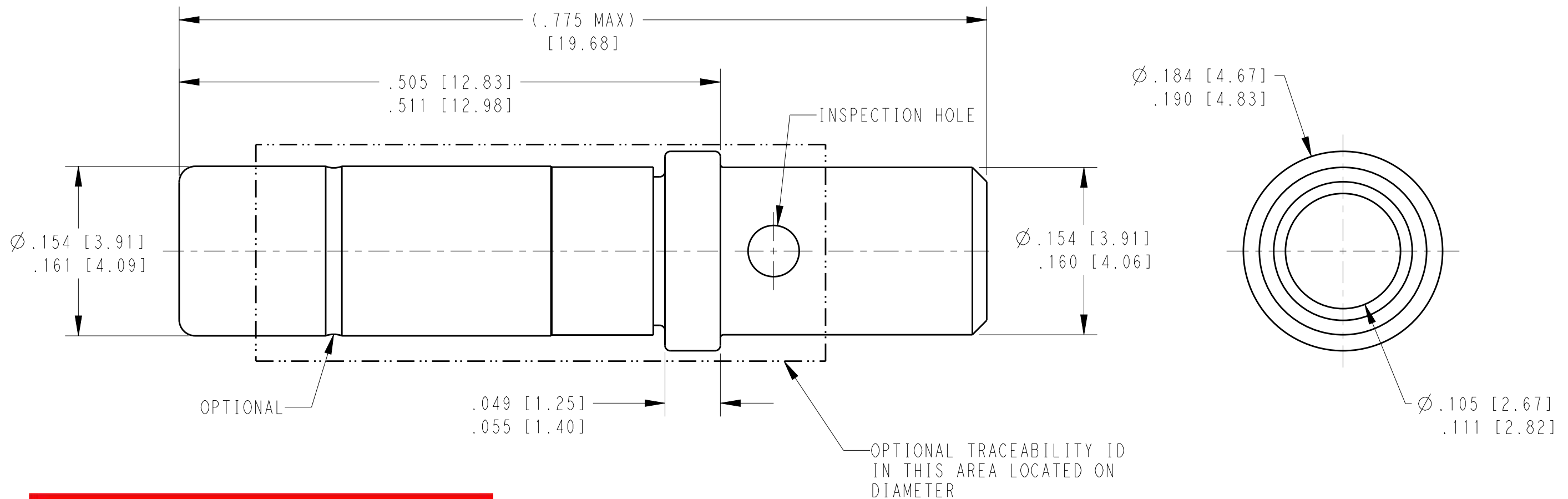


THIS DRAWING IS UNPUBLISHED
 RELEASED FOR PUBLICATION 2018
 © COPYRIGHT 1997 BY TE CONNECTIVITY ALL RIGHTS RESERVED.

REVISIONS					
P	LTR	DESCRIPTION	DATE	DWN	APVD
	NC	NEW RELEASE PER E.O P15504	22FEB2007	-	RDR
	A	NEW RELEASE PER E.O. P20205	04JUN2009	DM	RDR
	B	REVISED PER E-18-001206	24JAN2018	JA	DM



勝特力電材超市-龍山店 886-3-5773766
 勝特力電材超市-光復店 886-3-5729570
 勝特力电子(上海) 86-21-34970699
 勝特力电子(深圳) 86-755-83298787
<http://www.100y.com.tw>

TE INTERNAL PN	DEUTSCH PN	PLATING
0462-203-1231	0462-203-1231	GOLD
0462-203-12141	0462-203-12141	NICKEL

THIS DRAWING IS A CONTROLLED DOCUMENT.		DWN D. MEYER 16DEC1997		
DIMENSIONS: INCHES [mm]		CHK M. GONZALES 03JUN2009		
TOLERANCES UNLESS OTHERWISE SPECIFIED:		APVD R. REED 04JUN2009	NAME CONTACT SOCKET SIZE 12	
0 PLC ± 1 PLC ± 2 PLC ± 3 PLC ± 4 PLC ± ANGLES ±		PRODUCT SPEC 0425-015-0000	RESTRICTED TO	
MATERIAL		APPLICATION SPEC 0425-205-0000	SIZE A3	CAGE CODE 4AFU8
FINISH		WEIGHT 1.27g	DRAWING NO 0462-203-12XX	
		CUSTOMER DRAWING	SCALE 10:1	SHEET 1 OF 1
			REV B	

NOTES:
 1. WIRE RANGE : 14 AWG TO 12 AWG [2.0 - 3.0 mm²]



DEUTSCH | DEUTSCH Common Contact

TE Internal #: 0462-203-12141

Automotive Terminals, Socket, Pin Diameter 2.4 mm [.094 in], 14 – 12 AWG Wire Size, 2.08 – 3.31 mm² Wire Size, DEUTSCH Common Contact

[View on TE.com >](#)

Terminals & Splices > Automotive Terminals > DEUTSCH Solid Contacts



Terminal Type: **Socket**

Mating Pin Diameter: **2.4 mm [.094 in]**

Terminal Transmits: **25 – 40 A (Power)**

Wire Size: **2.08 – 3.31 mm²**

[All DEUTSCH Solid Contacts \(46\)](#)

Features

Product Type Features

Receptacle Style	180°
Sealable	No
Primary Locking Feature	Integrated in Housing

Contact Features

Contact Size	Size 12
Contact Fabrication	Solid
Wire Contact Termination Area Plating Material	Nickel
Typical Current Rating	25 A
Crimp Type	Indent
Terminal Type	Socket
Mating Pin Diameter	2.4 mm[.094 in]
Interface Plating	Nickel (Ni)

Termination Features

Termination Method to Wire & Cable	Crimp
Product Terminates To	Wire

Dimensions

Wire Size	2.08 – 3.31 mm ²
-----------	-----------------------------



Usage Conditions

Insulation Option	Uninsulated
Operating Temperature (Max)	125 °C[257 °F]
Operating Temperature Range	-55 – 125 °C[-67 – 257 °F]

Operation/Application

Compatible With Wire Base Material	Copper
------------------------------------	--------

Packaging Features

Packaging Quantity	1250
Packaging Method	Crate

Other

Customer Preferred Contact	Yes
Terminal Transmits	25 – 40 A (Power)

Product Compliance

[For compliance documentation, visit the product page on TE.com>](#)

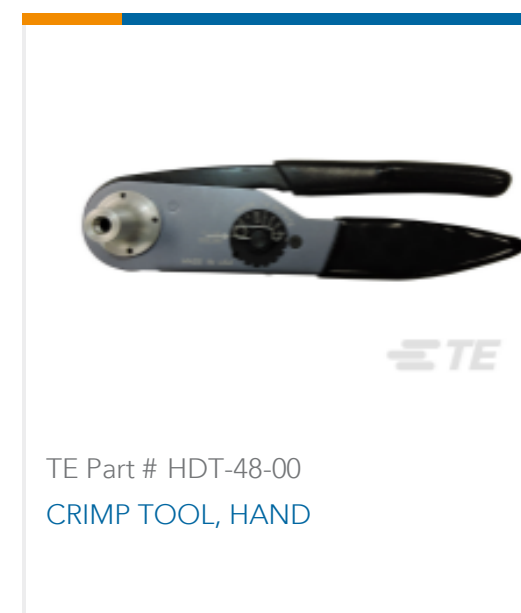
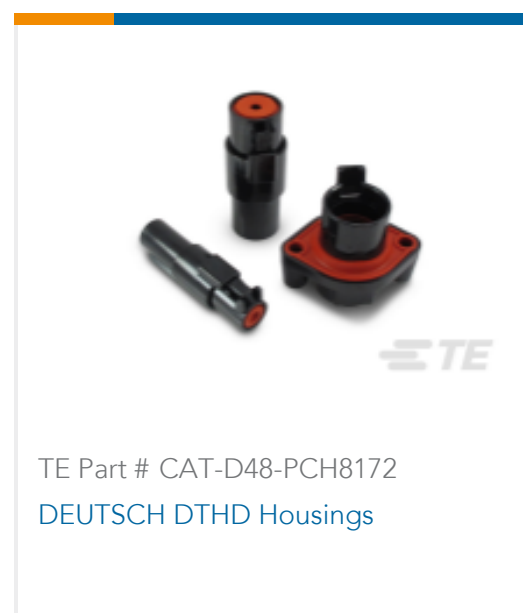
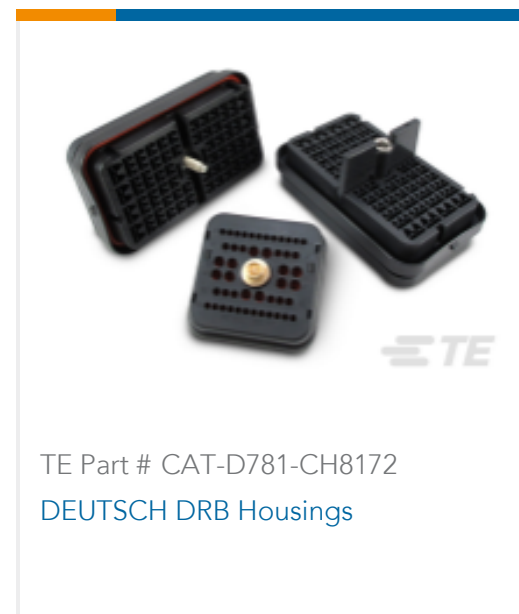
EU RoHS Directive 2011/65/EU	Compliant with Exemptions
EU ELV Directive 2000/53/EC	Compliant
China RoHS 2 Directive MIIT Order No 32, 2016	Restricted Materials Above Threshold
EU REACH Regulation (EC) No. 1907/2006	Current ECHA Candidate List: JAN 2024 (240) Candidate List Declared Against: JAN 2024 (240) SVHC > Threshold: Pb (.5% in Component Part) Article Safe Usage Statements: Do not eat, drink or smoke when using this product. Wash thoroughly after handling. Recycle if possible and dispose of the article by following all applicable governmental regulations relevant to your geographic location.
Halogen Content	Low Halogen - Br, Cl, F, I < 900 ppm per homogenous material. Also BFR/CFR/PVC Free
Solder Process Capability	Not reviewed for solder process capability

Product Compliance Disclaimer

This information is provided based on reasonable inquiry of our suppliers and represents our current actual knowledge based on the information they provided. This information is subject to change. The part numbers that TE has identified as EU RoHS compliant have a maximum concentration of 0.1% by weight in homogenous materials for lead, hexavalent chromium, mercury, PBB, PBDE, DBP, BBP, DEHP, DIBP, and 0.01% for cadmium, or qualify for an exemption to these limits as defined in the Annexes of Directive 2011/65/EU (RoHS2). Finished electrical and electronic equipment products will be CE marked as required by Directive 2011/65/EU. Components may not be CE marked. Additionally, the part numbers that TE has identified as EU ELV compliant have a maximum concentration of 0.1% by weight in homogenous materials for lead, hexavalent chromium, and mercury, and 0.01% for cadmium, or qualify for an exemption to these limits

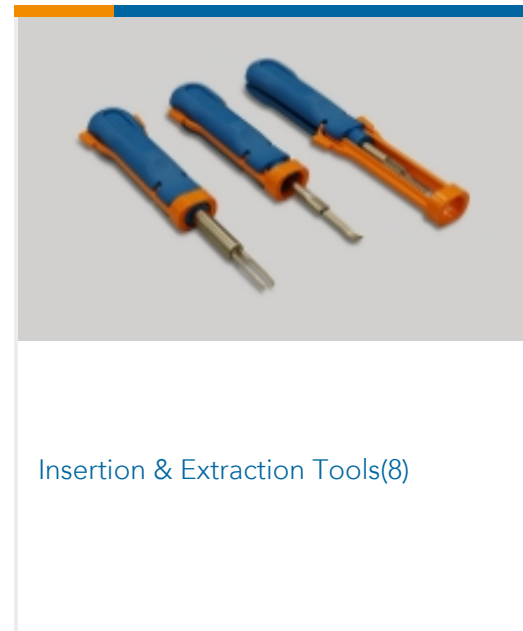
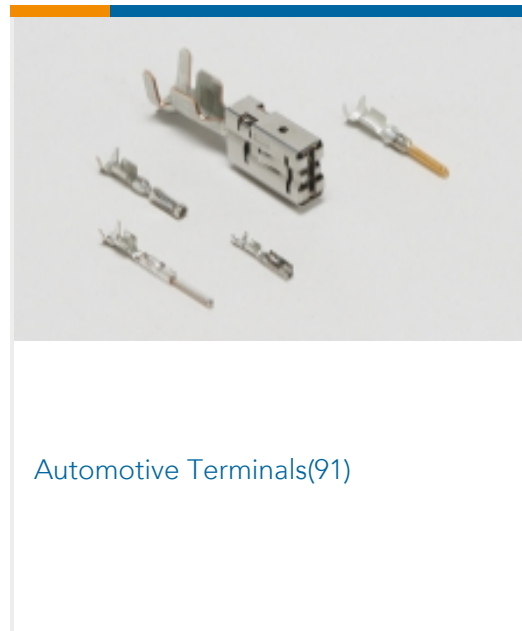
as defined in the Annexes of Directive 2000/53/EC (ELV). Regarding the REACH Regulation, the information TE provides on SVHC in articles for this part number is based on the latest European Chemicals Agency (ECHA) 'Guidance on requirements for substances in articles' posted at this URL: <https://echa.europa.eu/guidance-documents/guidance-on-reach>

Compatible Parts





Also in the Series | DEUTSCH Common Contact



Customers Also Bought



Documents

Product Drawings

SOC, SOLID, SIZE 12, 12-14AWG, NI

English

CAD Files

3D PDF

3D

Customer View Model

[ENG_CVM_CVM_0462-203-12141_E.2d_dxf.zip](#)

English

Customer View Model

[ENG_CVM_CVM_0462-203-12141_E.3d_igs.zip](#)

English

Customer View Model

[ENG_CVM_CVM_0462-203-12141_E.3d_stp.zip](#)



English

By downloading the CAD file I accept and agree to the [Terms and Conditions](#) of use.

Datasheets & Catalog Pages

CONNECTOR SELECTOR

English

Product Specifications

Engineering Report

English