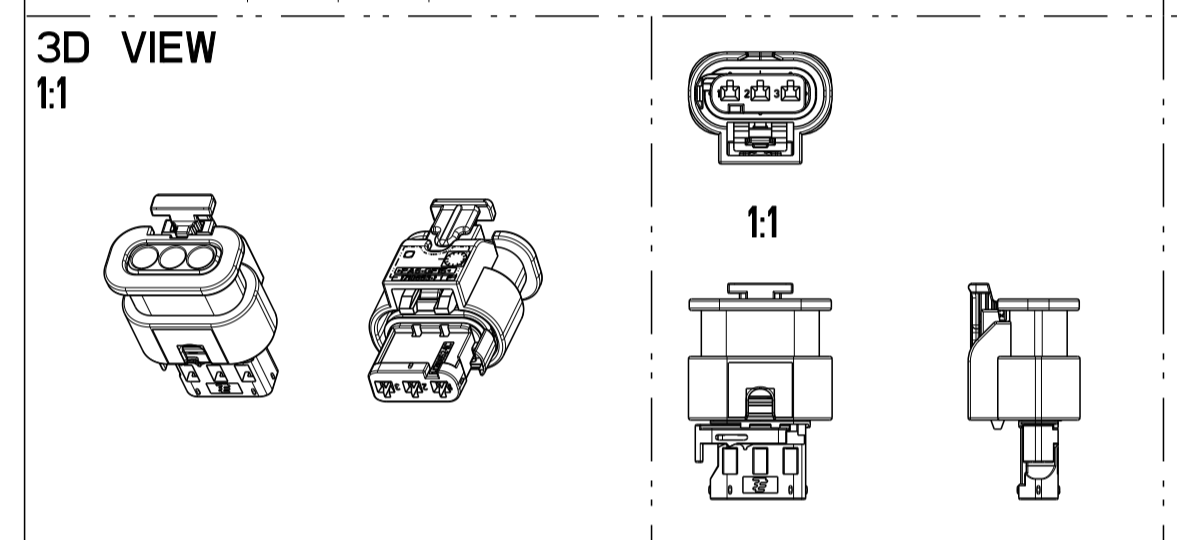
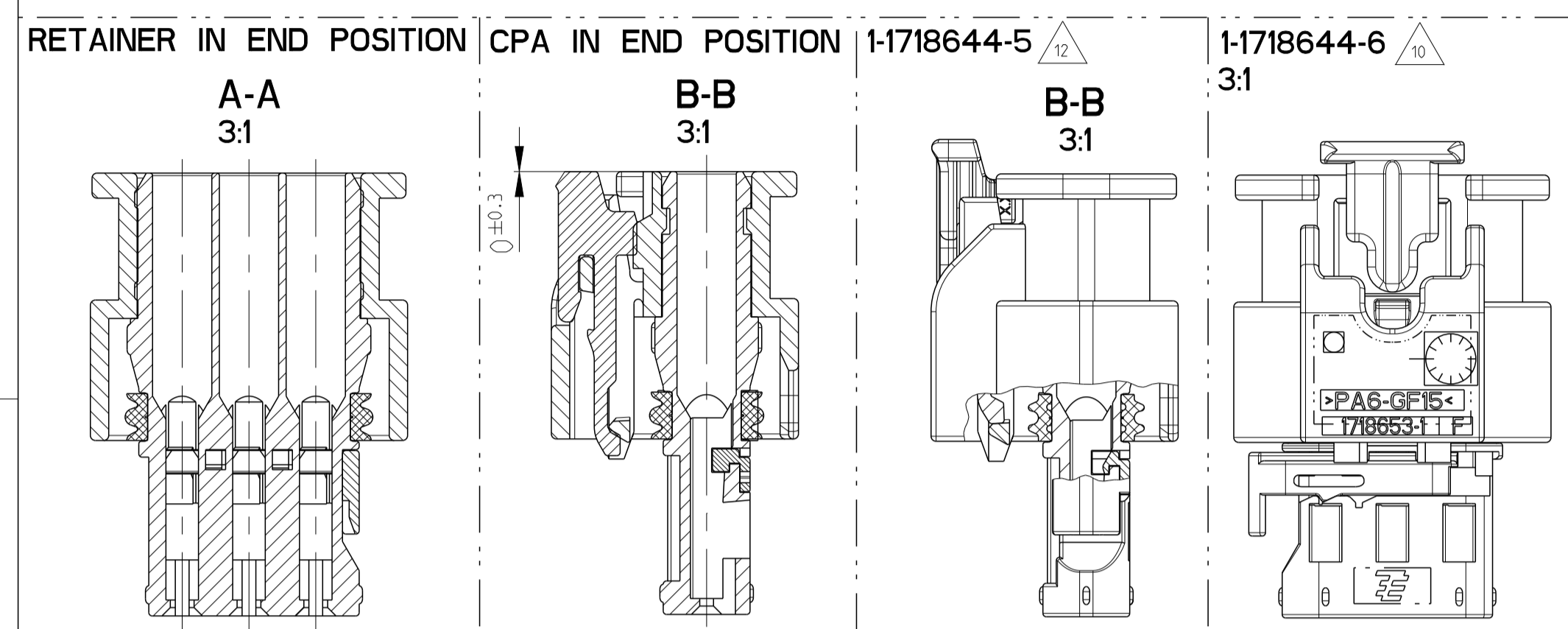
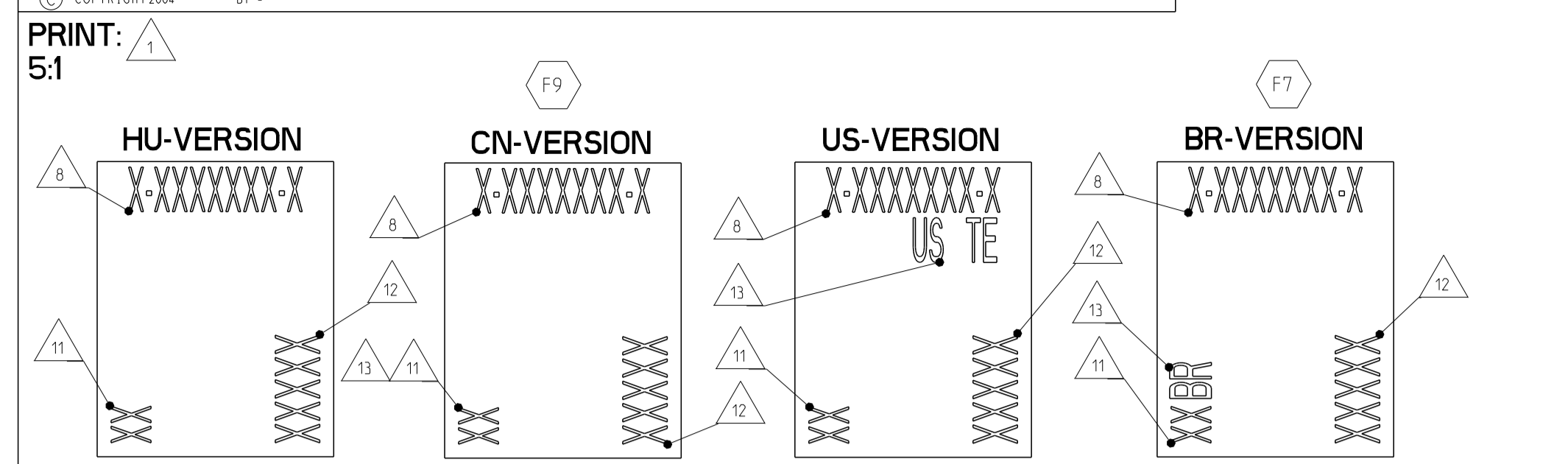
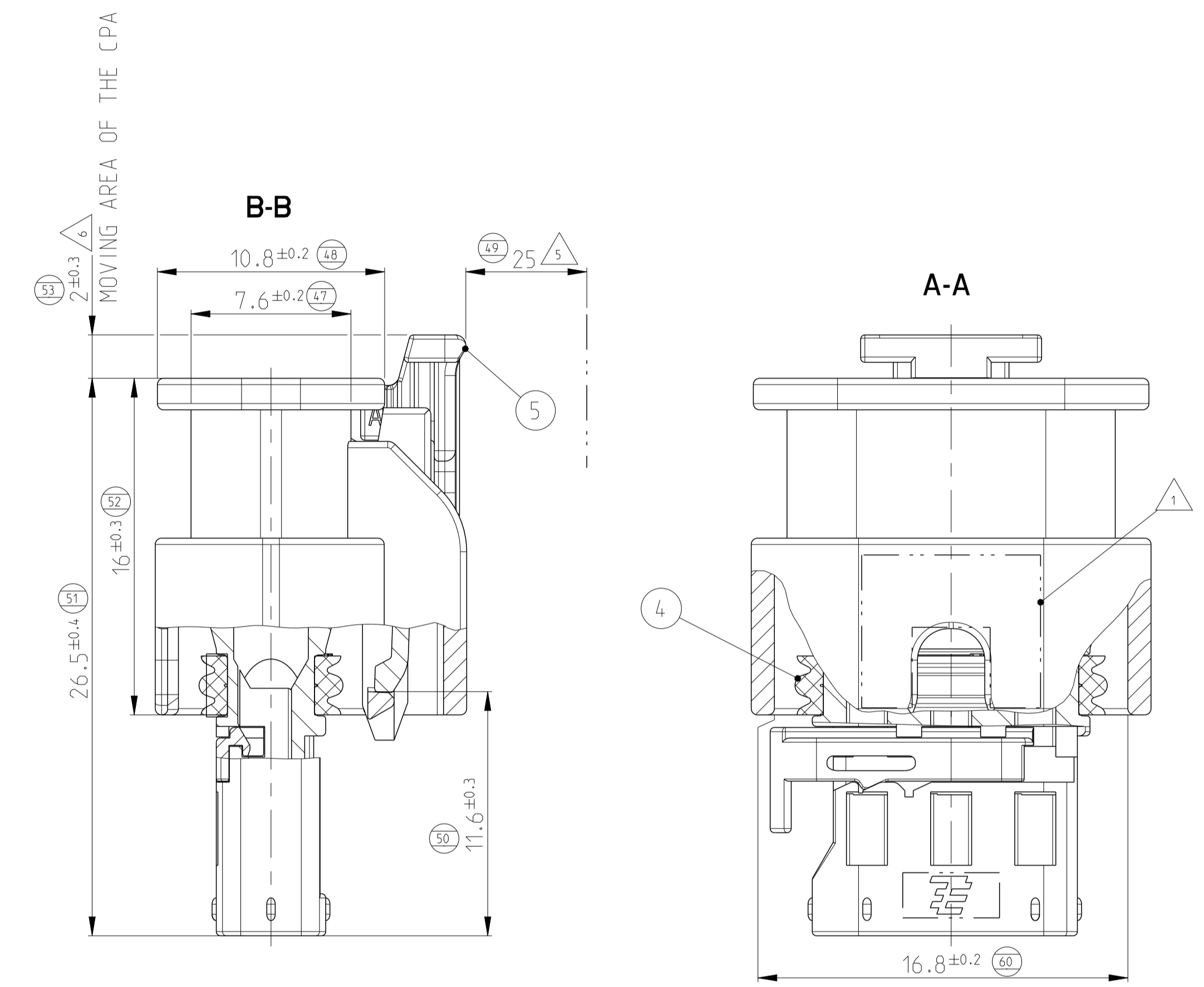
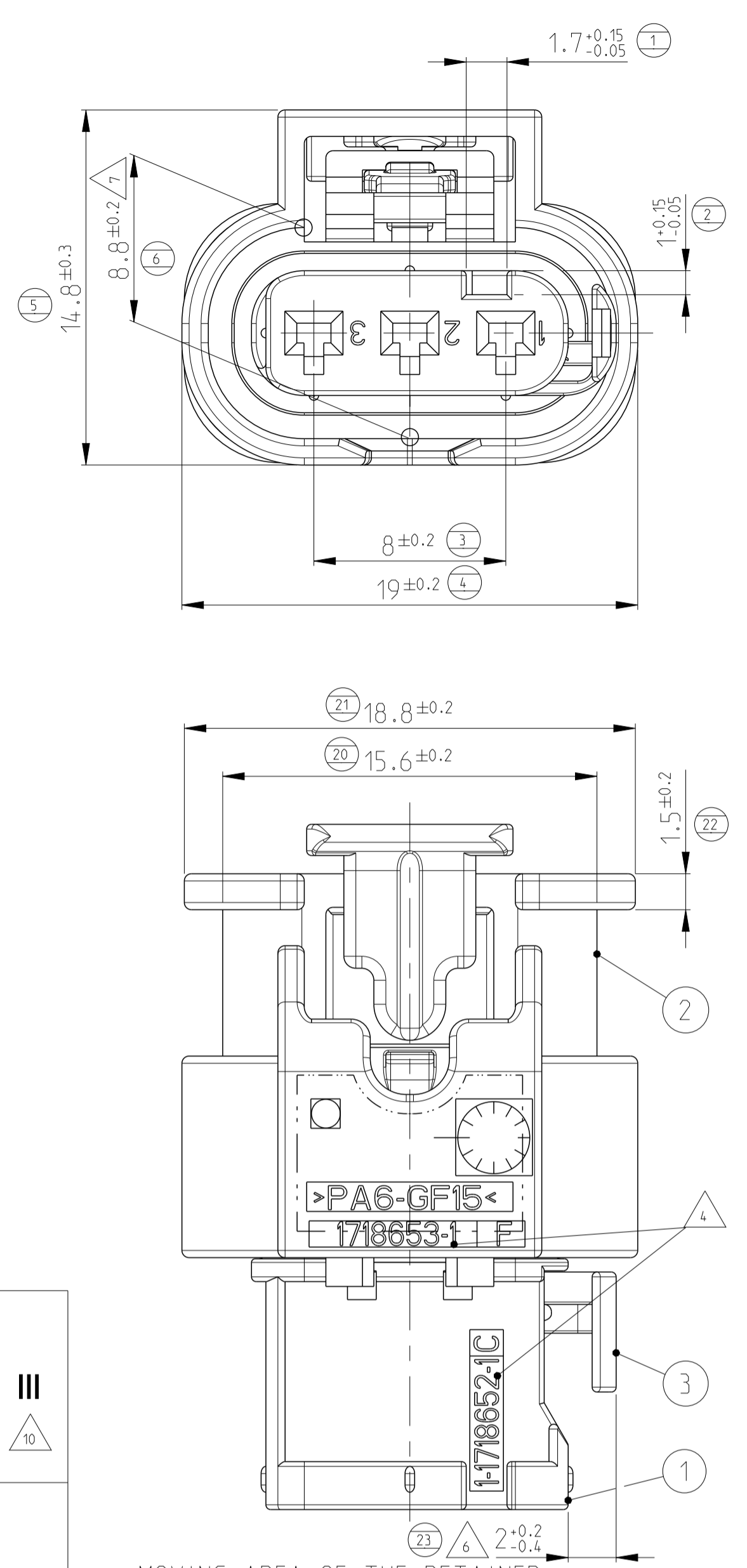


LOC		DIST		REVISIONS			
P	LTN	DESCRIPTION	DATE	DWN	APVD		
F7		LASER PRINT UPDATED WITH BR VERSION	06NOV2018	SZN	LSZ		
F8		NEW VERSION ADDED	03MAY2019	SZN	LSZ		
F9		LASER PRINT UPDATED WITH CN LOCATION	06AUG2019	SZN	LSZ		
F10		BOTTOM VIEW ADDED FOR CODING D	25MAR2020	SZN	LSZ		

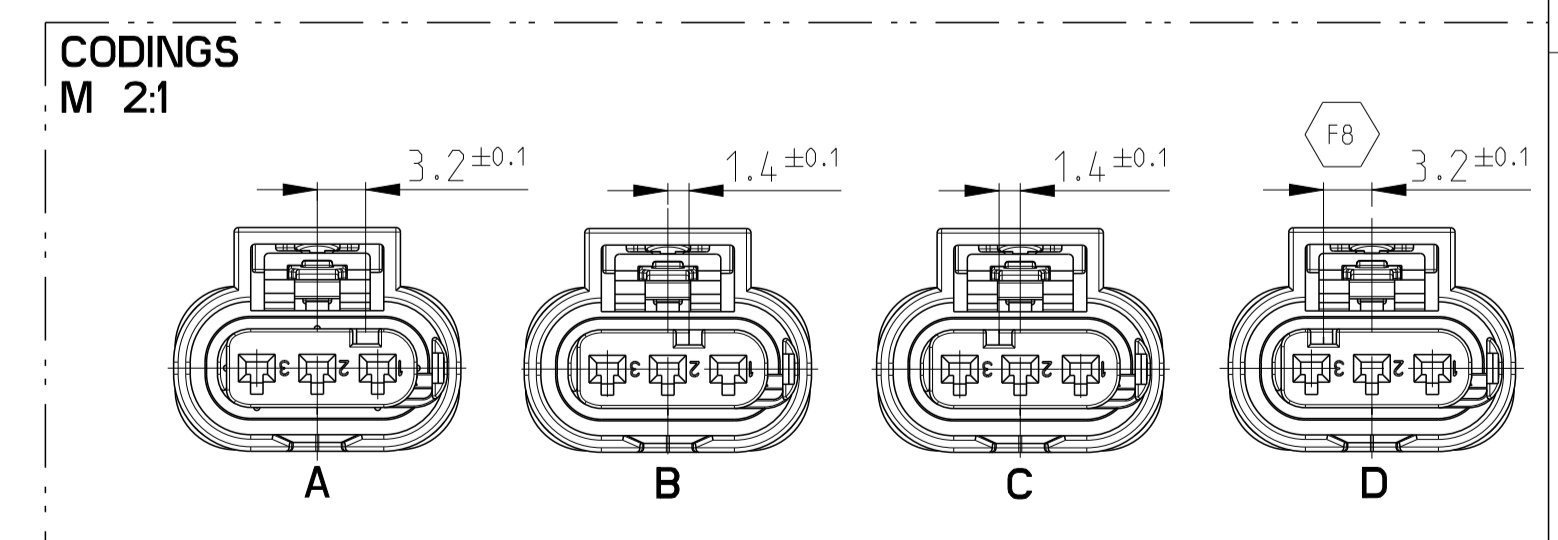


TE-ORDER NO.	COD	DESCRIPTION	REV	QTY	DESCRIPTION	MATERIAL	SURFACE/COLOUR	ITEM	VAR
1-1718644-6	A	3pos. MCON 1.2 - LL Connector Sealed	F	1	MCON 1.2 - CPA	PA46-GF15	GRAY SIML. RAL 7037	5	III
				1	3pos. MCON 1.2 - Seal	MVQ	NATURE	4	
				1	3pos. MCON 1.2 - Retainer	PA66-GF15	VIOLETT SIML. RAL 4006	3	
				1	3pos. MCON 1.2 - Protection Cover	PA6-GF15	BLACK SIML. RAL 9011	2	
				1	3pos. MCON 1.2 - Recepticle Hsg.	PA66-GF30	BLACK SIML. RAL 9011	1	
2-1718644-5	B	3pos. MCON 1.2 - LL Connector Sealed	A	1	MCON 1.2 - CPA	PA46-GF15	GRAY SIML. RAL 7037	5	II
				1	3pos. MCON 1.2 - Seal	MVQ	GREEN	4	
				1	3pos. MCON 1.2 - Retainer	PA66-GF15	VIOLETT SIML. RAL 4006	3	
				1	3pos. MCON 1.2 - Protection Cover	PA46	BLACK SIML. RAL 9011	2	
				1	3pos. MCON 1.2 - Recepticle Hsg.	PA66-GF30	NATURE	1	
1-1718644-5	A	3pos. MCON 1.2 - LL Connector Sealed	D	1	MCON 1.2 - CPA	PA46-GF15	GRAY SIML. RAL 7037	5	I
				1	3pos. MCON 1.2 - Seal	MVQ	GREEN	4	
				1	3pos. MCON 1.2 - Retainer	PA66-GF15	VIOLETT SIML. RAL 4006	3	
				1	3pos. MCON 1.2 - Protection Cover	PA46	BLACK SIML. RAL 9011	2	
				1	3pos. MCON 1.2 - Recepticle Hsg.	PA66-GF30	BLACK SIML. RAL 9011	1	
4-1718644-1	D	3pos. MCON 1.2 - LL Connector Sealed	A	1	MCON 1.2 - CPA	PA46-GF15	GRAY SIML. RAL 7037	5	I
				1	3pos. MCON 1.2 - Seal	MVQ	NATURE	4	
				1	3pos. MCON 1.2 - Retainer	PA66-GF15	VIOLETT SIML. RAL 4006	3	
				1	3pos. MCON 1.2 - Protection Cover	PA6-GF15	BLACK SIML. RAL 9011	2	
				1	3pos. MCON 1.2 - Recepticle Hsg.	PA66-GF30	VIOLETT SIML. RAL 4006	1	
3-1718644-1	C	3pos. MCON 1.2 - LL Connector Sealed	F	1	MCON 1.2 - CPA	PA46-GF15	GRAY SIML. RAL 7037	5	I
				1	3pos. MCON 1.2 - Seal	MVQ	NATURE	4	
				1	3pos. MCON 1.2 - Retainer	PA66-GF15	VIOLETT SIML. RAL 4006	3	
				1	3pos. MCON 1.2 - Protection Cover	PA6-GF15	BLACK SIML. RAL 9011	2	
				1	3pos. MCON 1.2 - Recepticle Hsg.	PA66-GF30	BLUE SIML. RAL 5012	1	
2-1718644-1	B	3pos. MCON 1.2 - LL Connector Sealed	F	1	MCON 1.2 - CPA	PA46-GF15	GRAY SIML. RAL 7037	5	I
				1	3pos. MCON 1.2 - Seal	MVQ	NATURE	4	
				1	3pos. MCON 1.2 - Retainer	PA66-GF15	VIOLETT SIML. RAL 4006	3	
				1	3pos. MCON 1.2 - Protection Cover	PA6-GF15	BLACK SIML. RAL 9011	2	
				1	3pos. MCON 1.2 - Recepticle Hsg.	PA66-GF30	NATURE	1	
1-1718644-1	A	3pos. MCON 1.2 - LL Connector Sealed	F	1	MCON 1.2 - CPA	PA46-GF15	GRAY SIML. RAL 7037	5	I
				1	3pos. MCON 1.2 - Seal	MVQ	NATURE	4	
				1	3pos. MCON 1.2 - Retainer	PA66-GF15	VIOLETT SIML. RAL 4006	3	
				1	3pos. MCON 1.2 - Protection Cover	PA6-GF15	BLACK SIML. RAL 9011	2	
				1	3pos. MCON 1.2 - Recepticle Hsg.	PA66-GF30	BLACK SIML. RAL 9011	1	



- MOVING AREA OF THE RETAINER
- MOVING AREA OF THE CPA
- NOTES:
- 1 AREA FOR PRINT
  - 2 USABLE CONTACTS MCON 1.2 LL SEE TE-NO. 1452674
  - 3 MAX. WIRE SIZE RANGE 1.0 mm<sup>2</sup> FLR PERMITTED FOR CAVITY-Ø 3.55MM QUANTITY SEE WIRE HARNESS DRAWING FOR PERMISSIBLE CURRENT CARRYING CAPACITY OF THE SINGLE CONTACT SEE PRODUCT SPECIFICATION NO.108-18782
  - 4 SUPPLIER-MARK
  - 5 SPACE OF ACTIVITY
  - 6 SUPPLY CONDITION: CPA AND RETAINER IN PRELOCKED POSITION
  - 7 WARPAGE PERMITTED TO MAX. -0.5mm
  - 8 TE ORDER-NO.
  - 9 ACCORDING TO INTERFACE DRAWING SEE TE-NO. 114-18679-3
  - 9 VAR II: TEMPERATURE RESISTANCE OF PLASTIC PARTS 150 °C
  - 10 VAR III: VERSION WITH 180° TURNED REC. HSG
  - 11 ASSEMBLY LINE SEGMENT IDENTIFICATION
  - 12 DATE CODE (DDYY)
  - 13 DIVERGENT MARKING FOR PARTS FROM CHINESE, BRASIL AND U.S. PRODUCTION
- CODING A AS SHOWN

勝特力電材超市-龍山店 886-3-5773766  
 勝特力電材超市-光復店 886-3-5729570  
 勝特力电子(上海) 86-21-34970699  
 勝特力电子(深圳) 86-755-83298787  
<http://www.100y.com.tw>



THIS DRAWING IS A CONTROLLED DOCUMENT.		DWN	18012004	PRODUCT CHARACTERISTICS ACC. QMP EMEA_12	
DIMENSIONS: mm		CHK	13JAN2005	BESONDERE MERKMALE NACH QMP EMEA_12	
TOLERANCES UNLESS OTHERWISE SPECIFIED		NAME		3pos. MCON 1.2 - LL Connector, Sealed	
0 PLC ±		APVD		-	
1 PLC ±		PRODUCT SPEC		-	
2 PLC ±		APPLICATION SPEC		-	
3 PLC ±		SIZE		-	
4 PLC ±		WEIGHT	3 g	-	
5 PLC ±		CUSTOMER DRAWING		-	
ANGLES FINISH		SCALE	5:1	-	

---

## 2-8pos. MCON 1.2 – LL Connector, Sealed with SWS

---

### TABLE OF CONTENTS

#### 1 GENERAL

- 1.1 PURPOSE
- 1.2 CUSTOMER DRAWINGS
- 1.3 DELIVERY CONDITION
  - 1.3.1 CONNECTORS WITHOUT CPA
  - 1.3.2 CONNECTORS WITH CPA
  - 1.3.3 TERMINALS
  - 1.3.4 CONNECTORS ARE BULK PACKAGED
  - 1.3.5 DUE TO BULK PACKAGING, IT IS POSSIBLE FOR THE RETAINER TO SHIFT DURING TRANSPORTATION
  - 1.3.6 SHOULD THIS OCCUR, SHIFT RETAINER TO PRE-LOCK POSITION AS DIMENSIONED ON TE CUSTOMER DRAWING PRIOR TO TERMINAL LOADING (Ref dim 2mm)

#### 2 CONNECTOR 2 TO 8POS, MCON 1.2 WITH SWS

- 2.1 ASSEMBLY OF THE CONNECTORS (VALID FOR ALL PIN COUNT VERSIONS)
- 2.2 TERMINAL INSERTION INSTRUCTIONS
- 2.3 APPLICABLE WIRES
- 2.4 RETAINER ENGAGE INSTRUCTIONS
- 2.5 RETAINER DISENGAGE INSTRUCTIONS
- 2.6 TERMINAL REMOVAL INSTRUCTIONS

#### 3 MATING AND UNMATING OF THE CONNECTORS

- 3.1 MATING WITH CPA
- 3.2 UNMATING WITH CPA
- 3.3 MATING WITHOUT CPA
- 3.4 UNMATING WITHOUT CPA

#### 4. DOCUMENT CHANGE HISTORY

## 1 GENERAL

### 1.1 PURPOSE

THIS SPECIFICATION DESCRIBES HOW TO HANDLE THE COMPONENTS OF THE CONNECTORS 2- TO 8 POS., MCON 1.2 WITH SWS (Single Wire Seal)

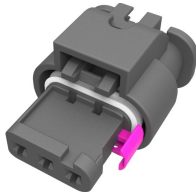
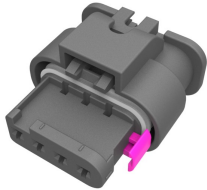
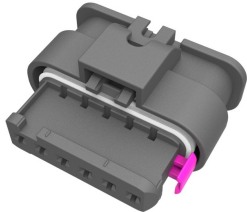
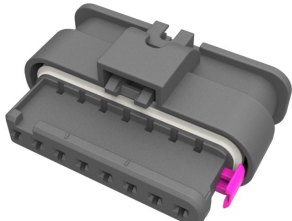
### 1.2 CUSTOMER DRAWINGS

THIS APPLICATION SPECIFICATION IS BASED ON THE LATEST VALID CUSTOMER DRAWINGS.

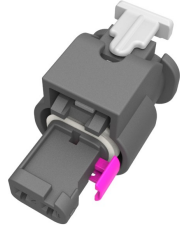
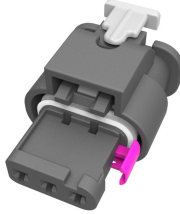
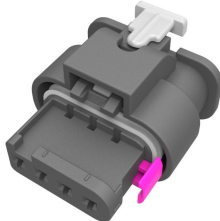
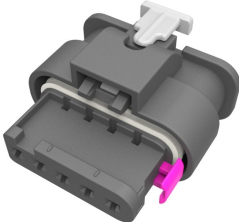
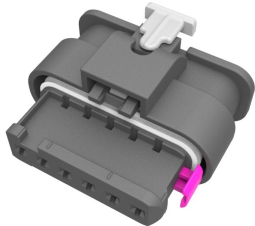
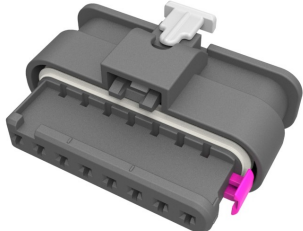
INTERFACE SPECIFICATION:  
SEE TYCO ELECTRONICS FRAME SPECIFICATION: **114-18679-3**

1.3 DELIVERY CONDITION


1.3.1 CONNECTORS WITHOUT CPA

<p>2pos. MCON 1.2 – LL Connector</p>	
<p>3pos. MCON 1.2 – LL Connector</p>	
<p>4pos. MCON 1.2 – LL Connector</p>	
<p>5pos. MCON 1.2 – LL Connector</p>	
<p>6pos. MCON 1.2 – LL Connector</p>	
<p>8pos. MCON 1.2 – LL Connector</p>	

1.3.2 CONNECTORS WITH CPA

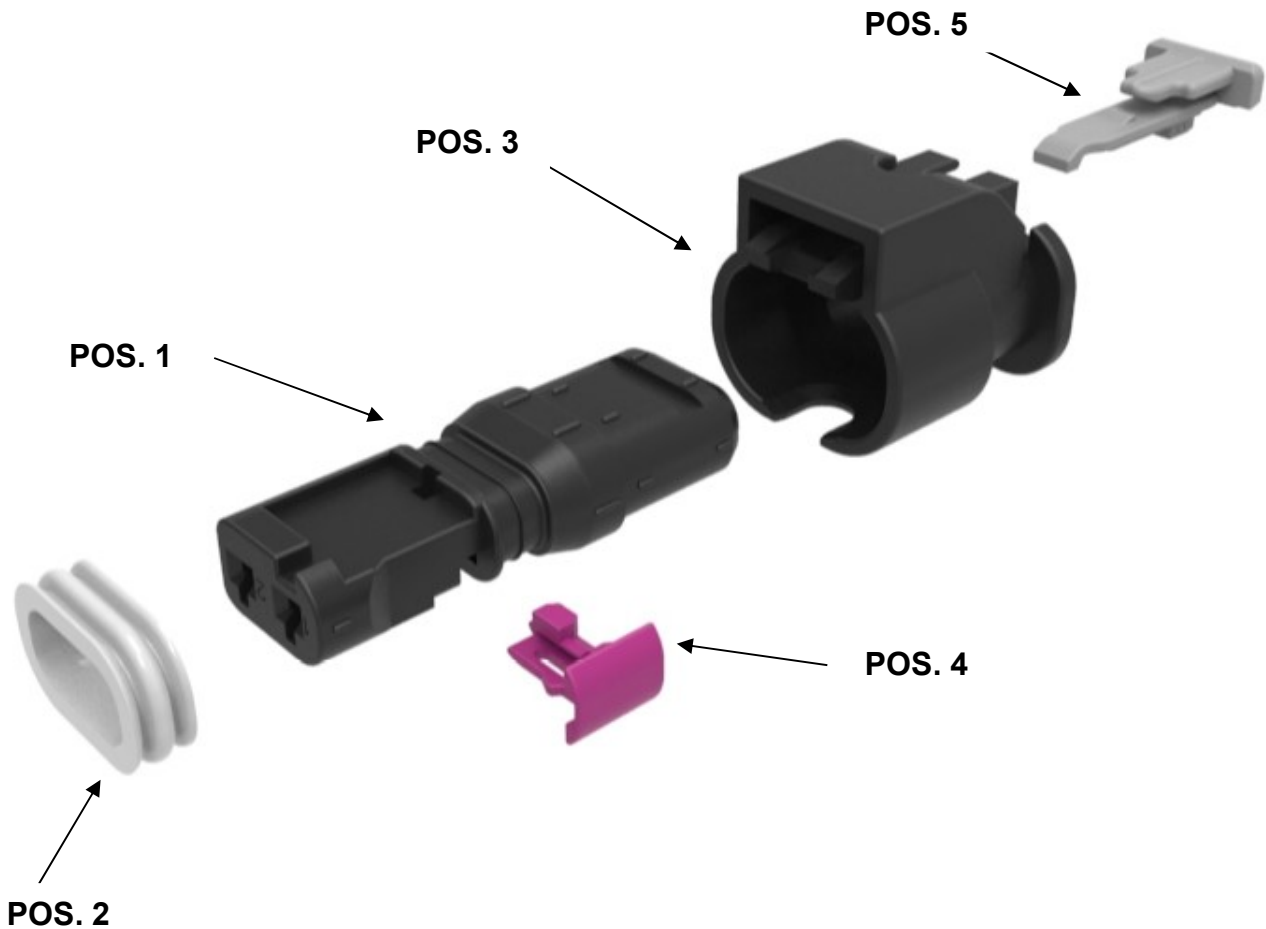
<p>2pos. MCON 1.2 – LL Connector</p>	
<p>3pos. MCON 1.2 – LL Connector</p>	
<p>4pos. MCON 1.2 – LL Connector</p>	
<p>5pos. MCON 1.2 – LL Connector</p>	
<p>6pos. MCON 1.2 – LL Connector</p>	
<p>8pos. MCON 1.2 – LL Connector</p>	

1.3.3 TERMINALS

<p>MCON 1.2 – LL Terminals</p>	<p>CUSTOMER DRAWING <b>1452674</b></p> <p>APPLICATION SPEC. <b>114-18464</b></p> <p>PRODUCT SPEC. <b>108-18782</b></p>	
--------------------------------	--	---

## 2 CONNECTOR 2 TO 8POS, MCON 1.2. WITH SWS

### 2.1 ASSEMBLY OF THE CONNECTORS (VALID FOR ALL PIN COUNT VERSIONS)



POS. 1: Receptacle Housing

POS. 2: Peripheral Seal

POS. 3: Protection Cover

POS. 4: Retainer

POS. 5: CPA



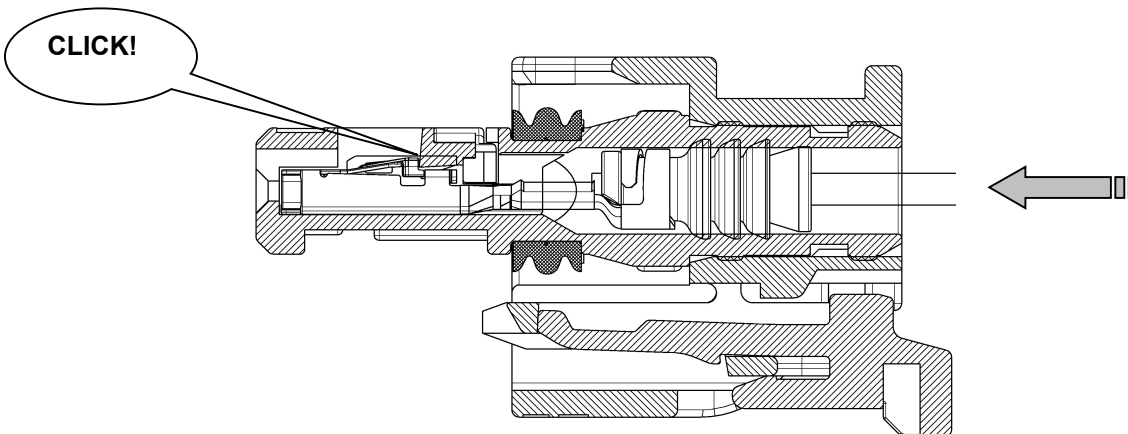
2.2 TERMINAL INSERTION INSTRUCTIONS

INSERTION DIRECTION

ORIENTATION FEATURE OF THE TERMINAL.

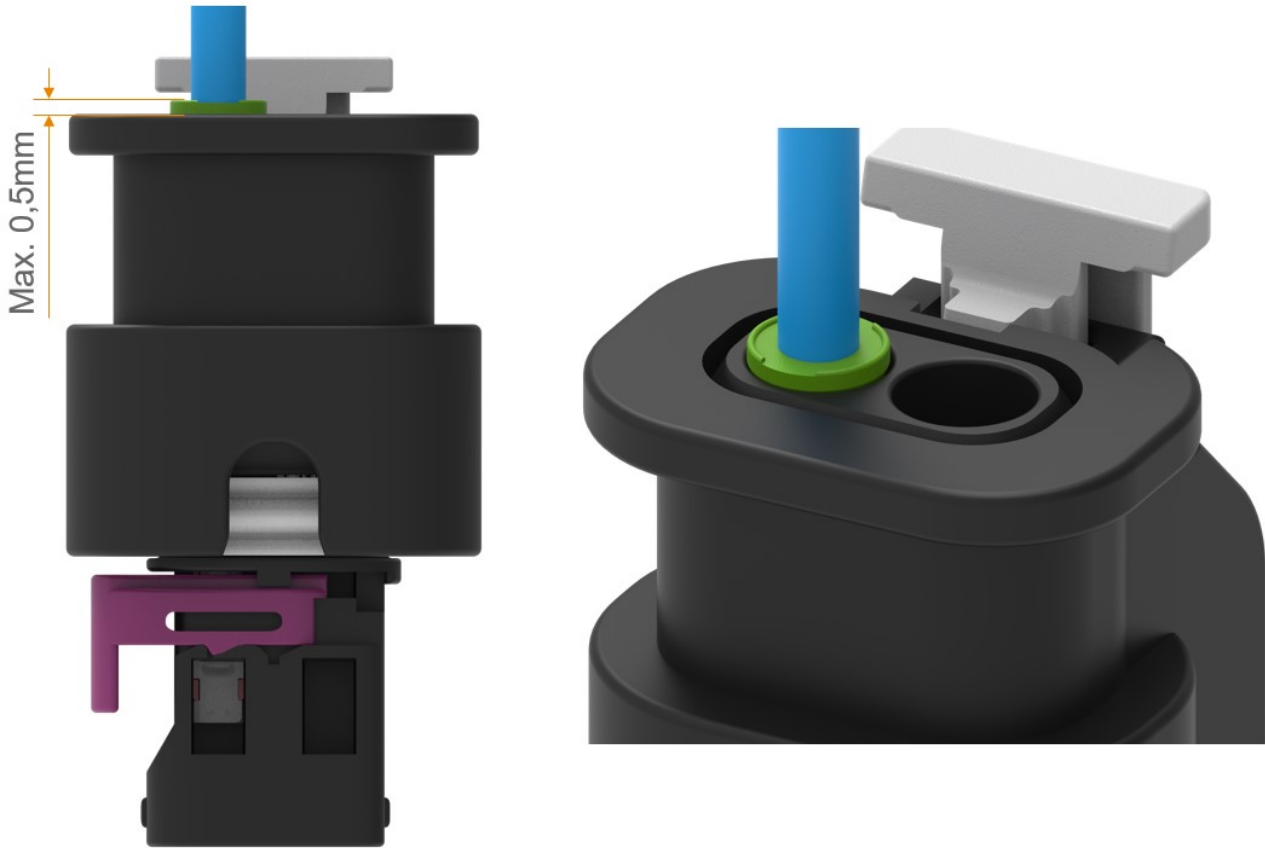


INSERT TERMINAL UNTIL AN AUDIBLE CLICK IS HEARD OR THE LOCK IS FELT





IN CASE OF 1mm<sup>2</sup> CABLE WITH 180° CABLE EXIT, SWS PROTRUSION DURING TERMINAL INSERTION OF **MAX. 0.5mm** IS ALLOWED. THIS IS ALLOWED FOR THE SEAL COLLAR ONLY. THE SEALING LIPS MUST REMAIN IN THE CONTACT CAVITY AT ALL TIMES.



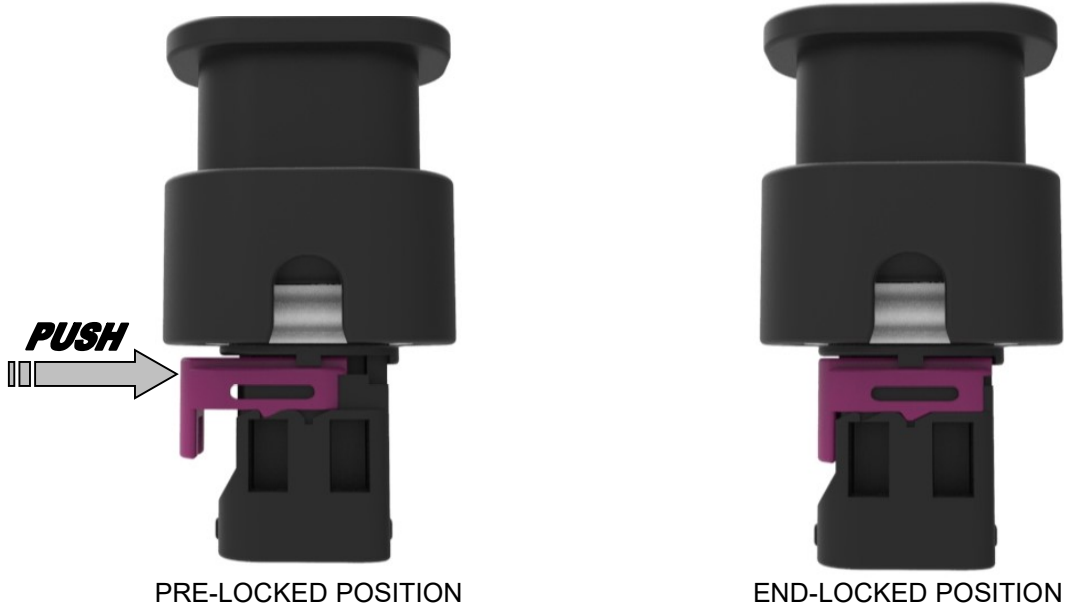
2.3 APPLICABLE WIRES

SEE ALSO THE CUSTOMER DRAWINGS **1452674**

Accessories							
Wire			Part numbers				
Type (DIN 76772)	Ø	mm <sup>2</sup>	MCON 1.2 LL	Single wire seal		Blind plug PN / Color	
FLR & ACW	1.2-1.4	0.35	7-1452665-3	Yellow	967067-2	967056-1	Blue
	1.4-1.6	0.50	7-1452668-3	Green	967067-1		
	1.7-1.9	0.75	7-1452668-3	Green	967067-1		
	1.9-2.1	1.00	7-1452671-3	Green	967067-1		
	2.2-2.4	1,50	7-1452671-3	Green	2287497-1		

## 2.4 RETAINER ENGAGE INSTRUCTIONS

### INSERTION OF THE RETAINER TO END-LOCKED POSITION



## 2.5 RETAINER DISENGAGE INSTRUCTIONS

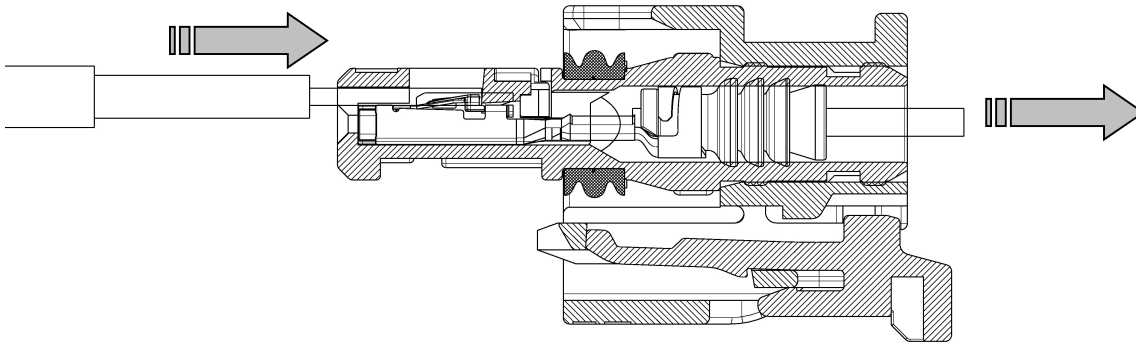
PLACE THE EXTRACTION TOOL (E.G. SCREWDRIVER) IN THE SHOWN PLACE TO DISENGAGE THE RETAINER.



RETAINER ONLY TO MOVE TO THE PRE-LOCKED POSITION

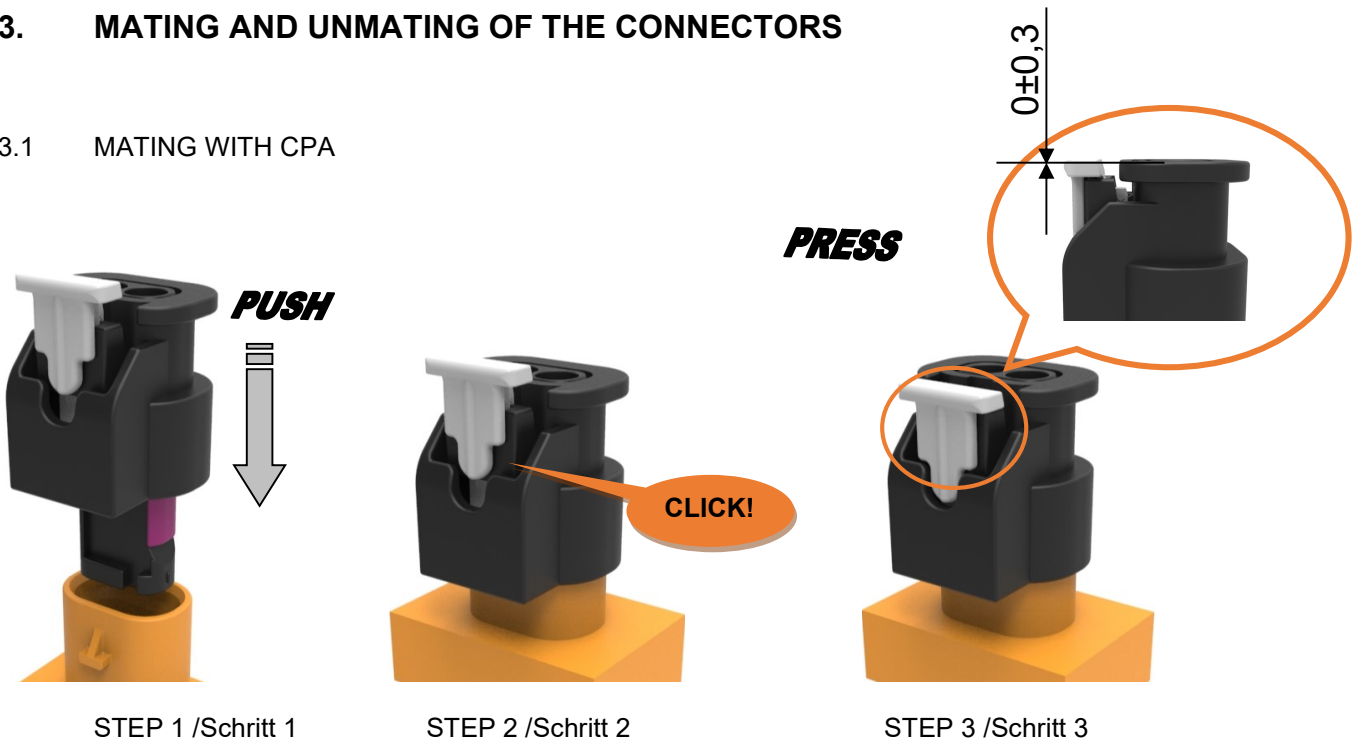
## 2.6 TERMINAL REMOVAL INSTRUCTIONS

INSERT THE EXTRACTION TOOL (TYCO-PN: 5-1579007-3) TO LOCKING HOOK. THE TERMINALS CAN BE REMOVED BY PULLING THE CABLE AND SIMULTAENEOUSLY BENDING THE LOCKING HOOK

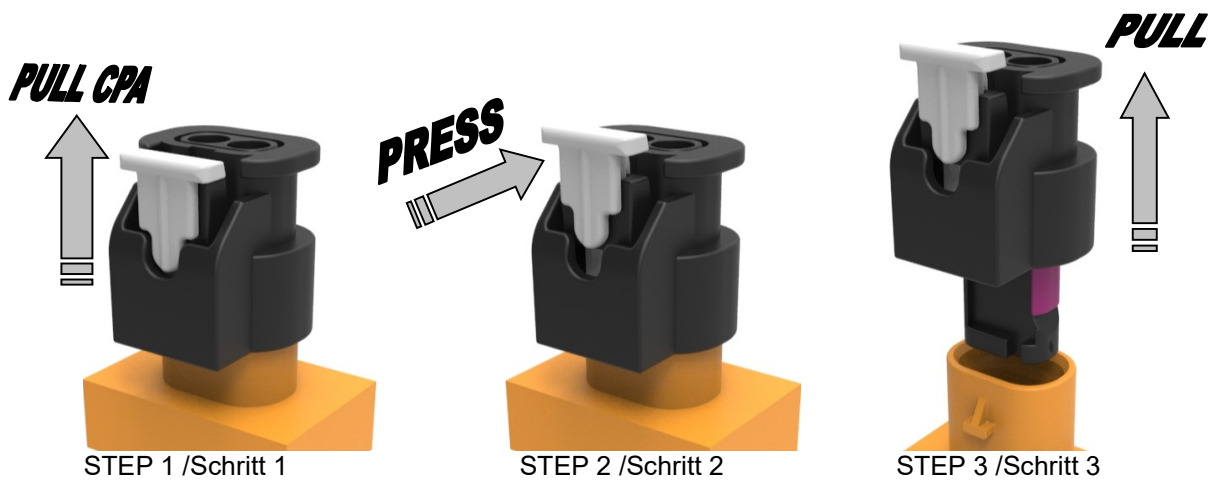


### 3. MATING AND UNMATING OF THE CONNECTORS

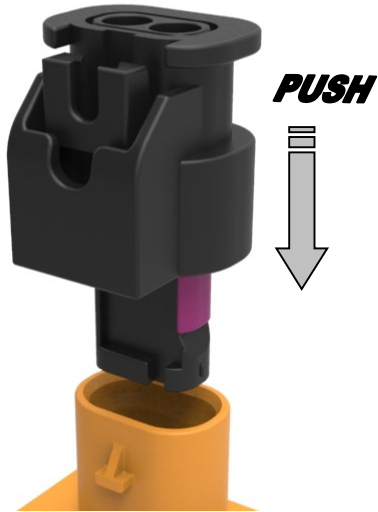
#### 3.1 MATING WITH CPA



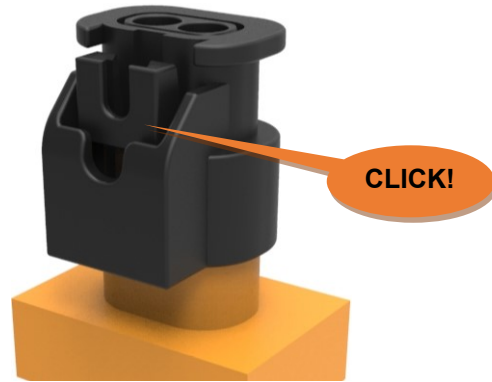
#### 3.2 UNMATING WITH CPA



3.3 MATING WITHOUT CPA

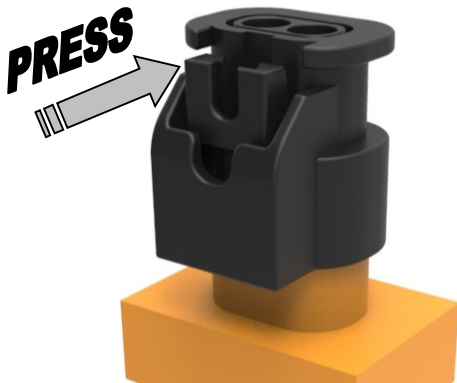


STEP 1

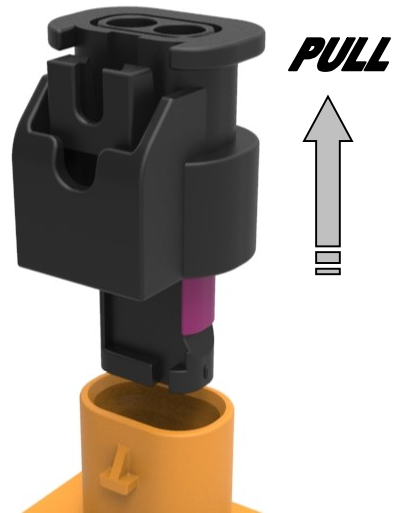


STEP 2

3.4 UNMATING WITHOUT CPA



STEP 1



STEP 2

---

**DOCUMENT CHANGE HISTORY**

	<b>NAME</b>	<b>DATE</b>	<b>REV</b>	<b>CHANGE</b>
<b>CHANGE HISTORY</b>	-	18SEP2007	A	Initial document
	Sz. Nemes	11AUG2013	A1	Point 1.3.3 - 1.3.6 added
	Sz. Nemes	26SEP2019	A2	Cosmetical update Wire insulation info added for 1,5mm <sup>2</sup> cable
	Sz. Nemes	13DEC2023	A3	Information on SWS protrusion added