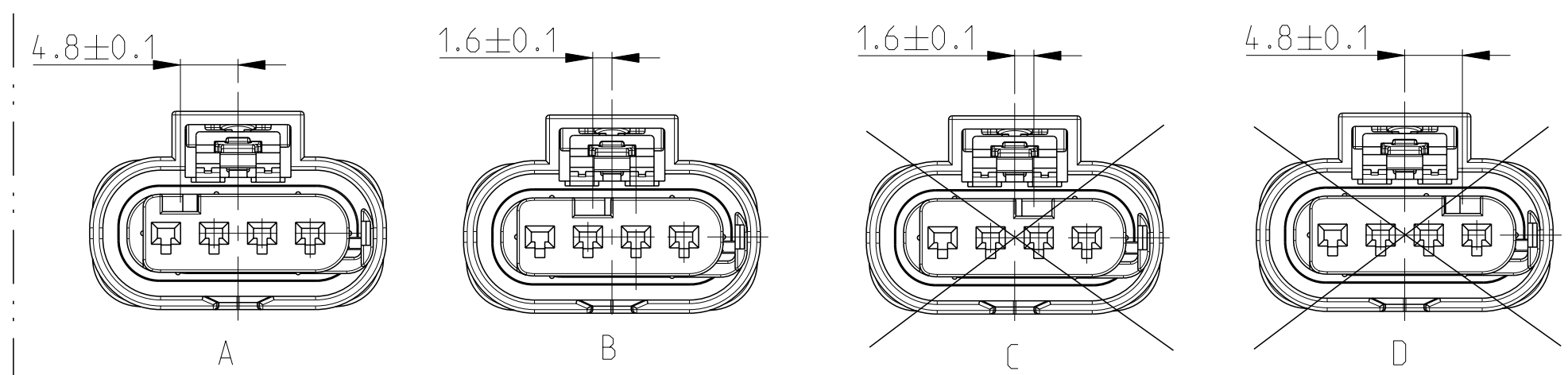
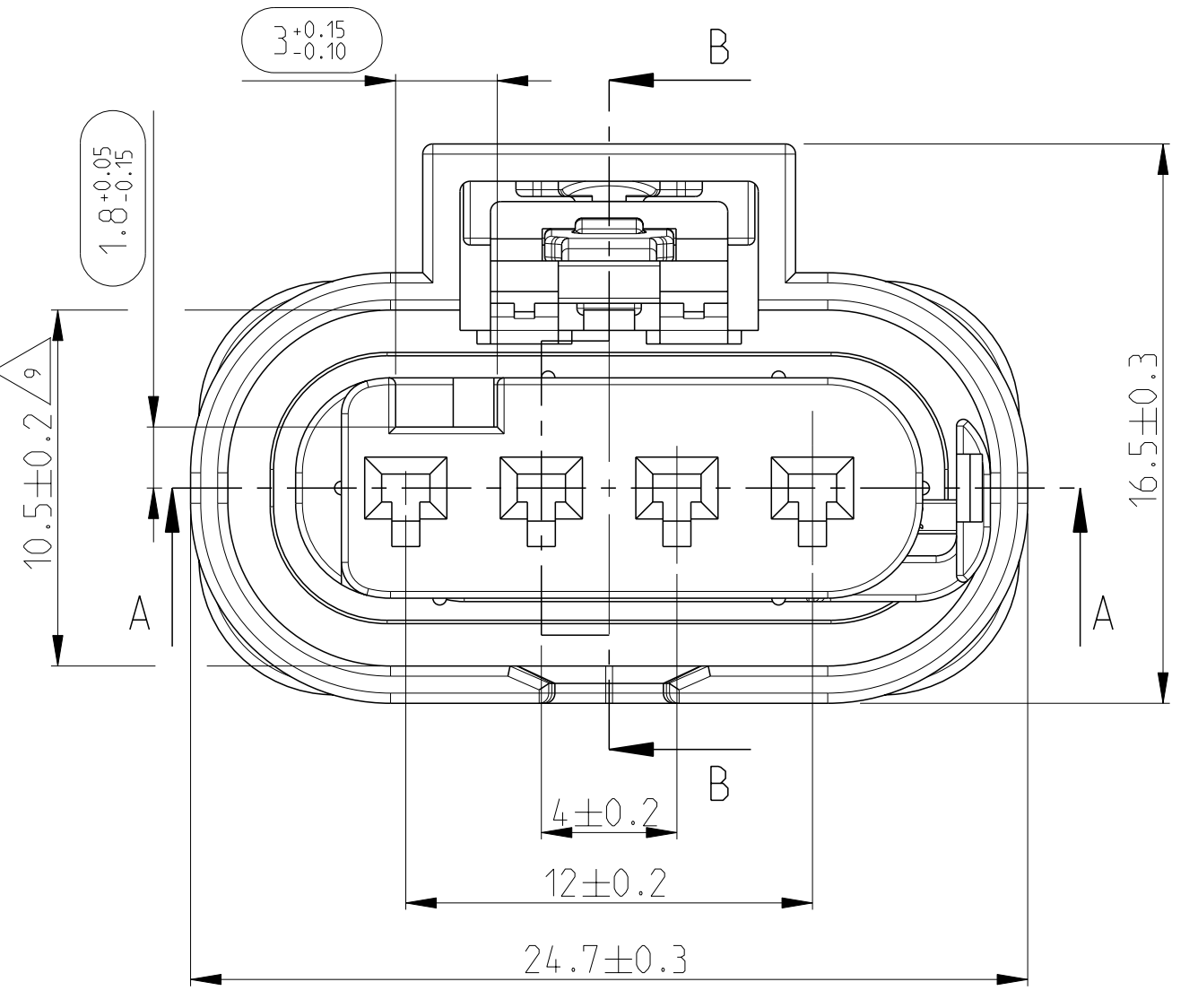
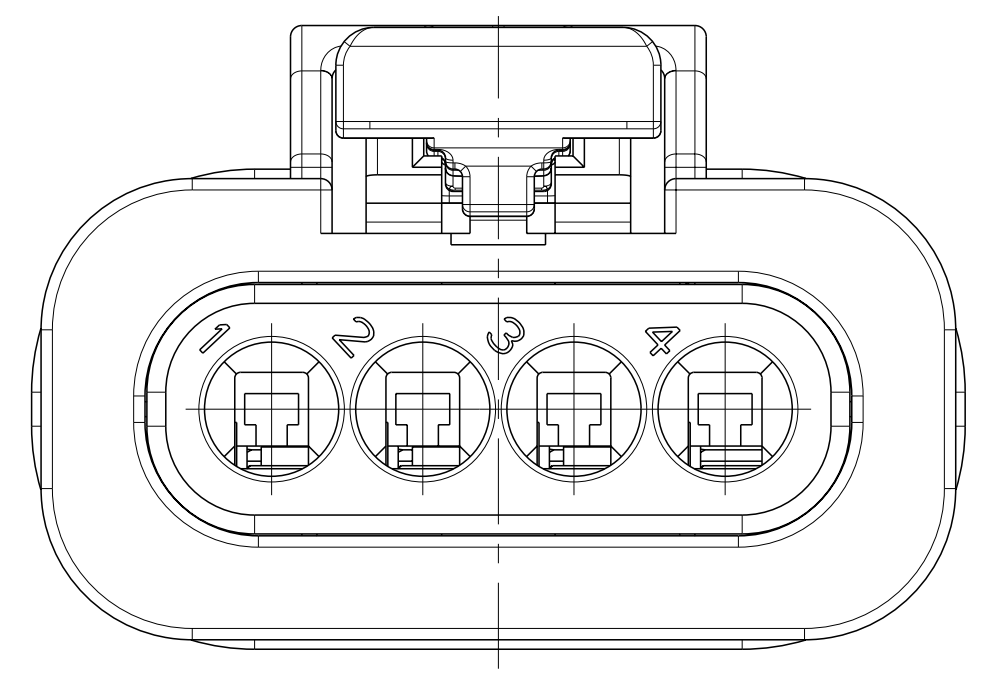
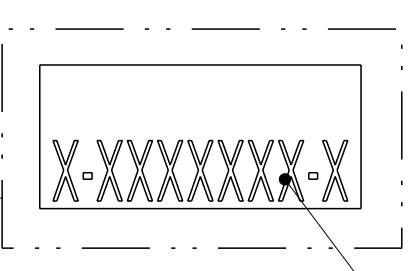
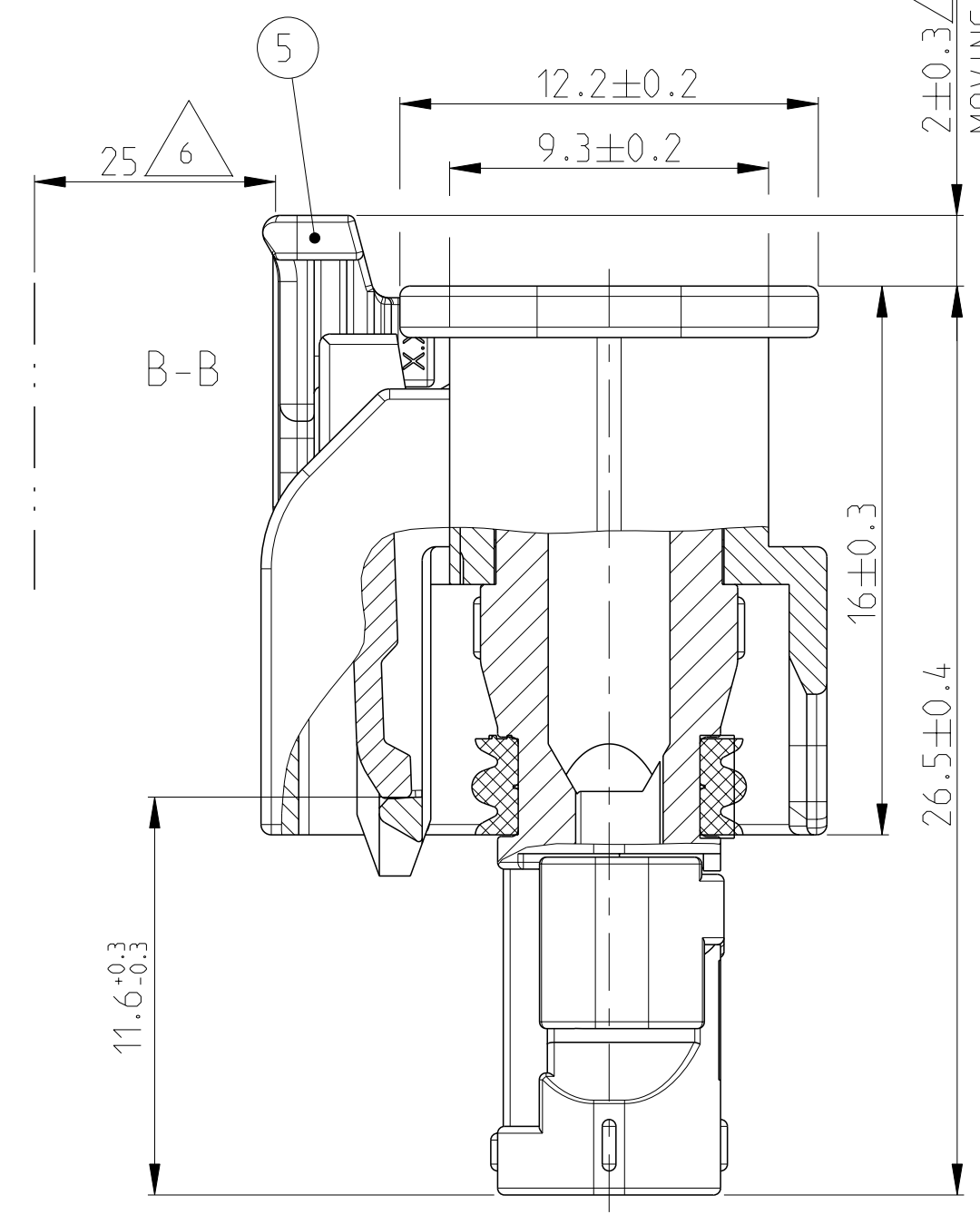
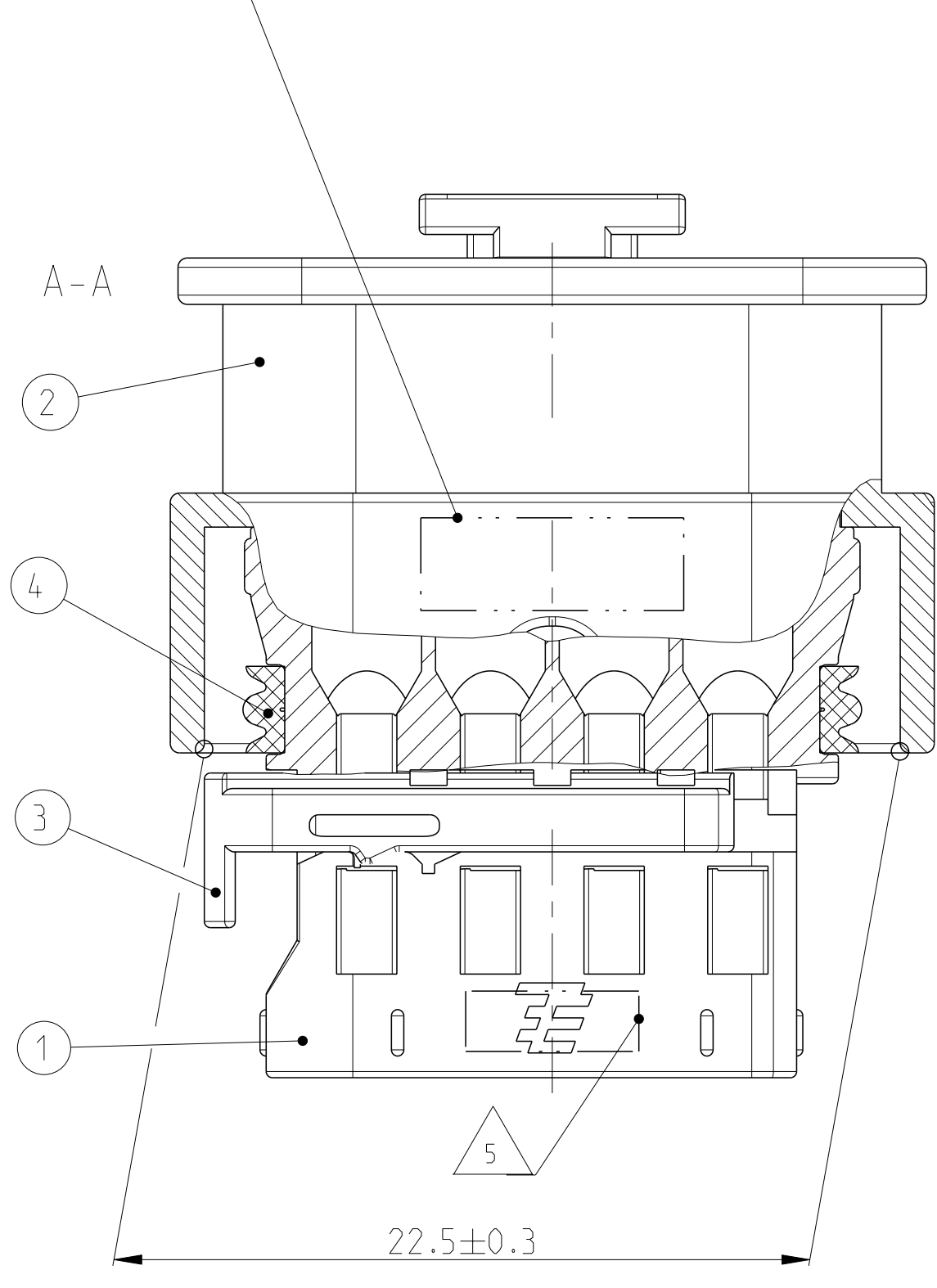


LOC	DIST	REVISIONS	DATE	DWN	APVD
FM	-	ANÄNDERUNGEN			
		ÄNDERUNGEN			
		DESCRIPTION			
		BESCHREIBUNG			
PROJKT NR.	D2	Coding B 2-1718645-1 added	10 JAN 2011	CLA	ASC
EGATNG 3277	E	ECR-12-006206	04 APR 2012	SZN	GB

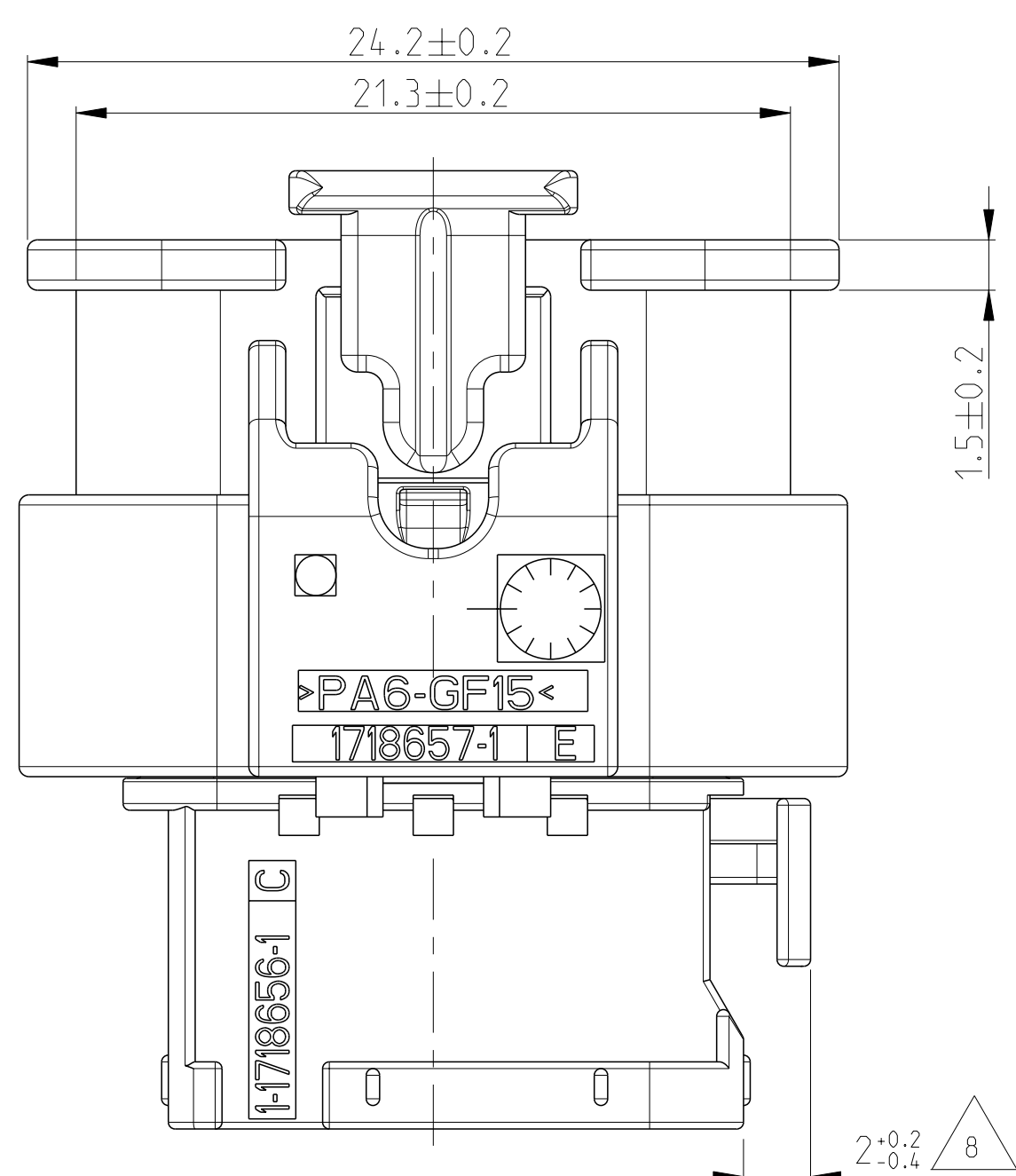
PRINT
Bedruckung



CODINGS
Kodierungen
M 2:1



MOVING AREA OF THE CPA
Verschiebeweg der Gehäusesicherung



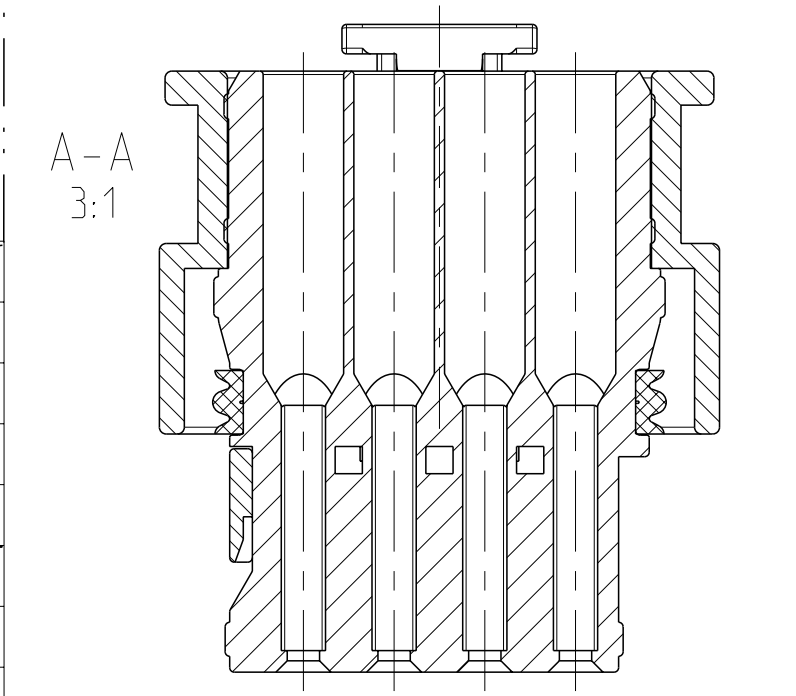
MOVING AREA OF THE RETAINER
Verschiebeweg der Kontaktsicherung

NOTES:
Bemerkungen:

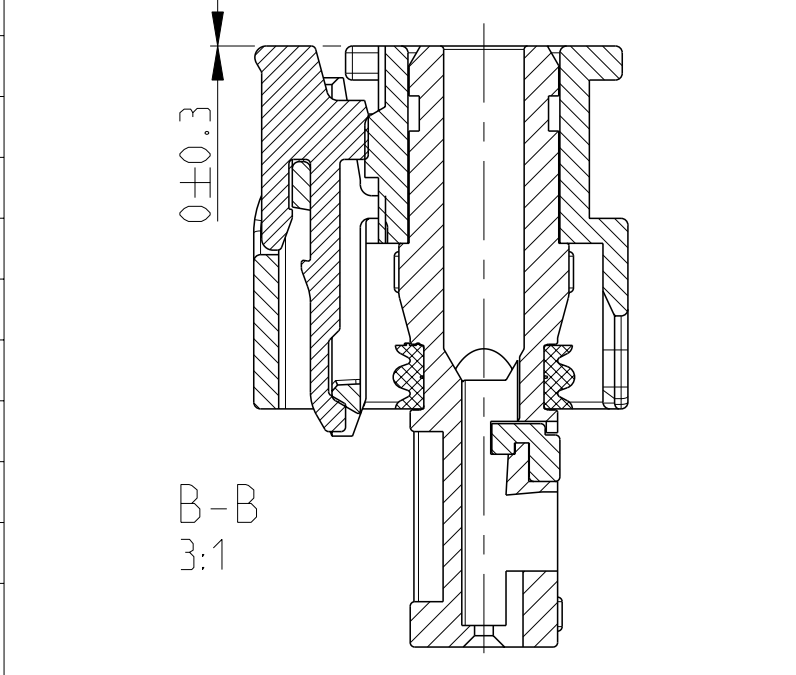
- ONLY THE GERMAN LANGUAGE VERSION IS AUTHORITATIVE
Massgebend ist nur der deutsche Text
- FUNCTIONAL MEASUREMENTS MARKED WITH ARE DOCUMENTED IN THE EMPB. NOT MARKED MEASUREMENTS ARE MEASURED, BUT NOT DOCUMENTED IN THE EMPB. DEVIATIONS HAVE TO BE CORRECTED.
Funktionsbestimmende Masse, die mit gekennzeichnet sind, werden im EMPB dokumentiert. Nicht gekennzeichnete Masse werden ebenfalls ausgemessen, aber nicht im EMPB dokumentiert. Abweichungen sind zu korrigieren.
- USABLE CONTACTS MCON 1.2 LL
SEE TE-NO. 1452674. SINGLE WIRE SEAL-VERSION
Verwendbare Kontakte MCON 1.2 LL
siehe TE-Zeichnung 1452674, Ausführung Einzeldichtung
- MAX. WIRE SIZE RANGE 1.0 mm² FLR PERMITTED FOR CAVITY-Ø 3.55MM
QUANTITY SEE WIRE HARNESS DRAWING FOR PERMISSIBLE CURRENT CARRYING CAPACITY OF THE SINGLE CONTACT
SEE PRODUCT SPECIFICATION NO. 108-18782
max. zulässiger Leitungsquerschnitt 1.0 mm² FLR, für Kammer-Ø 3.55mm
die Stückzahl ist im Leitungssatz festgelegt die zulässige Strombelastbarkeit für die einzelnen Kontakte ist der Spezifikation 108-18782 zu entnehmen
- SUPPLIER-MARK
Lieferantenkennzeichnung
- SPACE OF ACTIVITY
Befähigungsfreiraum
- SUPPLY CONDITION: CPA IN PRELOCKED POSITION
Auslieferungszustand: Gehäusesicherung in Vorraststellung
- SUPPLY CONDITION: RETAINER IN PRELOCKED POSITION
Auslieferungszustand: Zweite Kontaktsicherung in Vorraststellung
- WARPAGE PERMITTED TO MAX. -0.5mm
Verzug zulaessig bis max. -0.5mm
- TE ORDER-NO.
TE Bestell-Nr.
- ACCORDING TO INTERFACE DRAWING
SEE TE-NO. 114-18679-3
Passend zur Schnittstellen-Zeichnung
siehe TE-Nr. 114-18679-3

CODING A AS SHOWN
Kodierung A wie gezeichnet

RETAINER IN END POSITION
Kontaktsicherung in Endraststellung

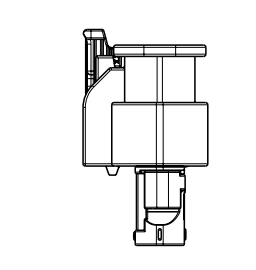
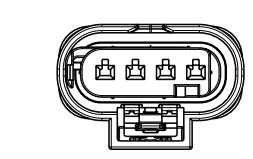
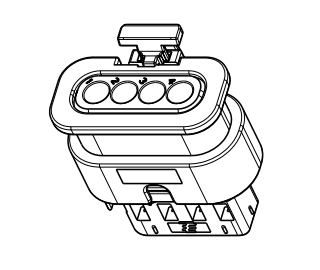


CPA IN END POSITION
Gehäusesicherung in Endraststellung



勝特力電材超市-龍山店 886-3-5773766
 勝特力電材超市-光復店 886-3-5729570
 勝特力电子(上海) 86-21-34970699
 勝特力电子(深圳) 86-755-83298787
<http://www.100y.com.tw>

3D VIEW
3D Ansicht
1:1



TE- Bestell-Nr. ORDER-NO.	COD	Benennung TITLE	REV	QTY	Benennung Einzelteil TITLE	Werkstoff MATERIAL	Oberfläche/Farbe SURFACE/COLOR	Pos. ITEM
4-1718645-1	D	Buchsengehäuse 4pol. CONNECTOR 4POS.	D	1	Gehäusesicherung CPA	PA46-GF15	grau/GREY ähnl./SIML. RAL 7037	5
				1	Dichtung SEAL	MVQ	natur/NATURE	4
				1	Kontaktsicherung RETAINER	PA66-GF15	violett/VIOLET ähnl./SIML. RAL 4006	3
				1	Umgehäuse OUTER HOUSING	PA6-GF15	schwarz/BLACK RAL 9011	2
				1	Buchsengehäuse INNER HOUSING	PA66-GF30	violett/VIOLET ähnl./SIML. RAL 4004	1
				1	Gehäusesicherung CPA	PA46-GF15	grau/GREY ähnl./SIML. RAL 7037	5
				1	Dichtung SEAL	MVQ	natur/NATURE	4
3-1718645-1	C	Buchsengehäuse 4pol. CONNECTOR 4POS.	D	1	Kontaktsicherung RETAINER	PA66-GF15	violett/VIOLET ähnl./SIML. RAL 4006	3
				1	Umgehäuse OUTER HOUSING	PA6-GF15	schwarz/BLACK RAL 9011	2
				1	Buchsengehäuse INNER HOUSING	PA66-GF30	blau/BLUE ähnl./SIML. RAL 5012	1
				1	Gehäusesicherung CPA	PA46-GF15	grau/GREY ähnl./SIML. RAL 7037	5
				1	Dichtung SEAL	MVQ	natur/NATURE	4
				1	Kontaktsicherung RETAINER	PA66-GF15	violett/VIOLET ähnl./SIML. RAL 4006	3
				1	Umgehäuse OUTER HOUSING	PA6-GF15	schwarz/BLACK RAL 9011	2
2-1718645-1	B	Buchsengehäuse 4pol. CONNECTOR 4POS.	E	1	Gehäusesicherung CPA	PA46-GF15	grau/GREY ähnl./SIML. RAL 7037	5
				1	Dichtung SEAL	MVQ	natur/NATURE	4
				1	Kontaktsicherung RETAINER	PA66-GF15	violett/VIOLET ähnl./SIML. RAL 4006	3
				1	Umgehäuse OUTER HOUSING	PA6-GF15	schwarz/BLACK RAL 9011	2
				1	Buchsengehäuse INNER HOUSING	PA66-GF30	natur/NATURE	1
				1	Gehäusesicherung CPA	PA46-GF15	grau/GREY ähnl./SIML. RAL 7037	5
				1	Dichtung SEAL	MVQ	natur/NATURE	4
1-1718645-1	A	Buchsengehäuse 4pol. CONNECTOR 4POS.	E	1	Kontaktsicherung RETAINER	PA66-GF15	violett/VIOLET ähnl./SIML. RAL 4006	3
				1	Umgehäuse OUTER HOUSING	PA6-GF15	schwarz/BLACK RAL 9011	2
				1	Buchsengehäuse INNER HOUSING	PA66-GF30	schwarz/BLACK RAL 9011	1
				1	Gehäusesicherung CPA	PA46-GF15	grau/GREY ähnl./SIML. RAL 7037	5
				1	Dichtung SEAL	MVQ	natur/NATURE	4
				1	Kontaktsicherung RETAINER	PA66-GF15	violett/VIOLET ähnl./SIML. RAL 4006	3
				1	Umgehäuse OUTER HOUSING	PA6-GF15	schwarz/BLACK RAL 9011	2

THIS DRAWING IS A CONTROLLED DOCUMENT.		DWN	16FEB2005	NAME	CONNECTOR, 4POS., MCON 1.2, SEALED Gehäuse, 4pol., MCON 1.2, dicht
OTHERWISE SPECIFIED: ALL DIMENSIONS UNLESS OTHERWISE SPECIFIED: DIMENSIONS IN MILLIMETERS		CHK	16FEB2005		
MATERIAL		APVD	J. Wöllel	SIZE	A1
WEIGHT		PRODUCT SPEC	108-18969	CAGE CODE	00779
DRAWING NO.		APPLICATION SPEC	114-18661	DRAWING NO.	1718645
CUSTOMER DRAWING		VERABREITUNGSSPEZ.	114-18661	SCALE	5:1
SHEET		FINISCHGRÖSSE/FARBEN	5 g	SHEET	1 OF 1
REV		DATE		REV	E

2-8pos. MCON 1.2 – LL Connector, Sealed with SWS

TABLE OF CONTENTS

1 GENERAL

- 1.1 PURPOSE
- 1.2 CUSTOMER DRAWINGS
- 1.3 DELIVERY CONDITION
 - 1.3.1 CONNECTORS WITHOUT CPA
 - 1.3.2 CONNECTORS WITH CPA
 - 1.3.3 TERMINALS
 - 1.3.4 CONNECTORS ARE BULK PACKAGED
 - 1.3.5 DUE TO BULK PACKAGING, IT IS POSSIBLE FOR THE RETAINER TO SHIFT DURING TRANSPORTATION
 - 1.3.6 SHOULD THIS OCCUR, SHIFT RETAINER TO PRE-LOCK POSITION AS DIMENSIONED ON THE CUSTOMER DRAWING PRIOR TO TERMINAL LOADING (Ref dim 2mm)

2 CONNECTOR 2 TO 8POS, MCON 1.2 WITH SWS

- 2.1 ASSEMBLY OF THE CONNECTORS (VALID FOR ALL PIN COUNT VERSIONS)
- 2.2 TERMINAL INSERTION INSTRUCTIONS
- 2.3 APPLICABLE WIRES
- 2.4 RETAINER ENGAGE INSTRUCTIONS
- 2.5 RETAINER DISENGAGE INSTRUCTIONS
- 2.6 TERMINAL REMOVAL INSTRUCTIONS

3 MATING AND UNMATING OF THE CONNECTORS

- 3.1 MATING WITH CPA
- 3.2 UNMATING WITH CPA
- 3.3 MATING WITHOUT CPA
- 3.4 UNMATING WITHOUT CPA

4. DOCUMENT CHANGE HISTORY

1 GENERAL

1.1 PURPOSE

THIS SPECIFICATION DESCRIBES HOW TO HANDLE THE COMPONENTS OF THE CONNECTORS 2- TO 8 POS., MCON 1.2 WITH SWS (Single Wire Seal)

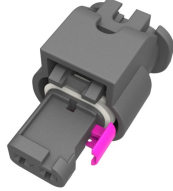
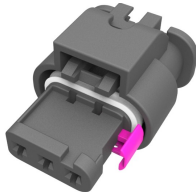
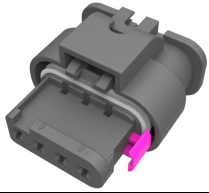
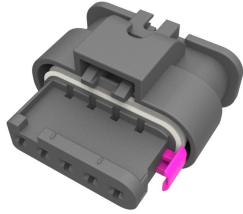
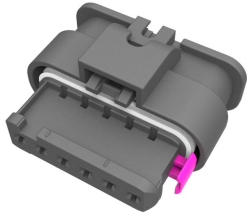
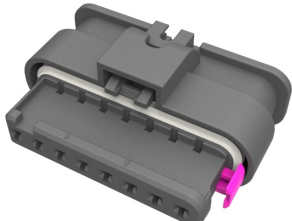
1.2 CUSTOMER DRAWINGS

THIS APPLICATION SPECIFICATION IS BASED ON THE LATEST VALID CUSTOMER DRAWINGS.

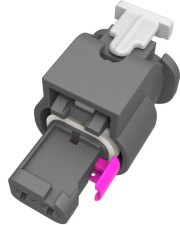
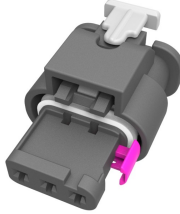
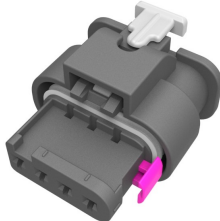
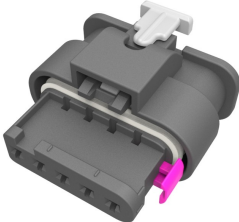
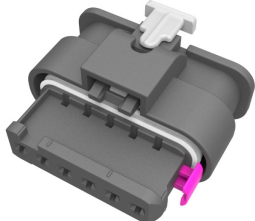
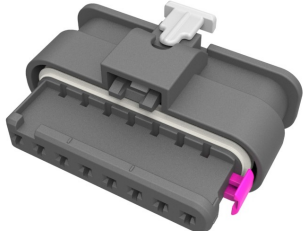
INTERFACE SPECIFICATION:
SEE TYCO ELECTRONICS FRAME SPECIFICATION: **114-18679-3**

1.3 DELIVERY CONDITION


1.3.1 CONNECTORS WITHOUT CPA

<p>2pos. MCON 1.2 – LL Connector</p>	
<p>3pos. MCON 1.2 – LL Connector</p>	
<p>4pos. MCON 1.2 – LL Connector</p>	
<p>5pos. MCON 1.2 – LL Connector</p>	
<p>6pos. MCON 1.2 – LL Connector</p>	
<p>8pos. MCON 1.2 – LL Connector</p>	

1.3.2 CONNECTORS WITH CPA

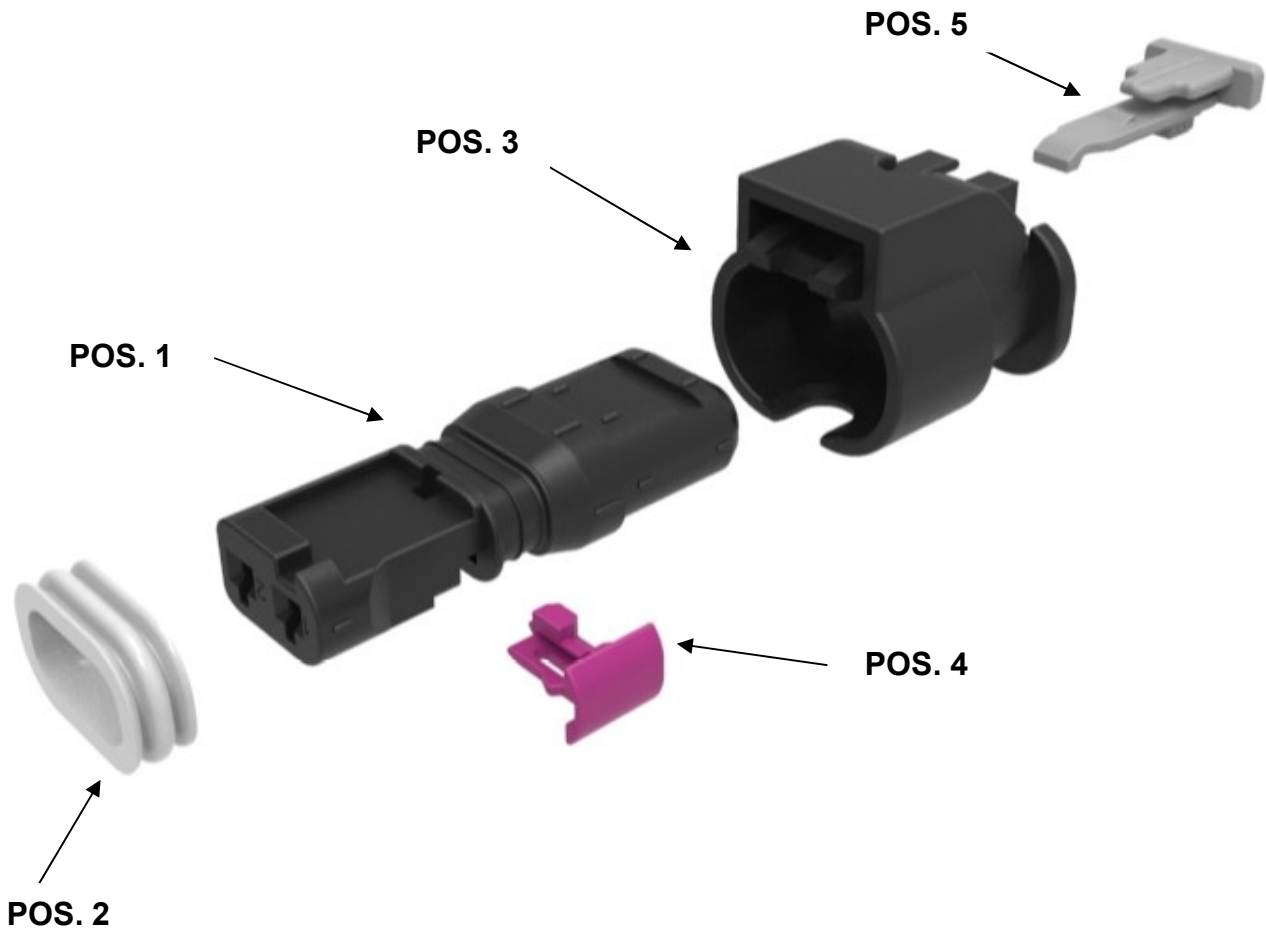
<p>2pos. MCON 1.2 – LL Connector</p>	
<p>3pos. MCON 1.2 – LL Connector</p>	
<p>4pos. MCON 1.2 – LL Connector</p>	
<p>5pos. MCON 1.2 – LL Connector</p>	
<p>6pos. MCON 1.2 – LL Connector</p>	
<p>8pos. MCON 1.2 – LL Connector</p>	

1.3.3 TERMINALS

<p>MCON 1.2 – LL Terminals</p>	<p>CUSTOMER DRAWING 1452674</p> <p>APPLICATION SPEC. 114-18464</p> <p>PRODUCT SPEC. 108-18782</p>	
--------------------------------	--	---

2 CONNECTOR 2 TO 8POS, MCON 1.2. WITH SWS

2.1 ASSEMBLY OF THE CONNECTORS (VALID FOR ALL PIN COUNT VERSIONS)



POS. 1: Receptacle Housing

POS. 2: Peripheral Seal

POS. 3: Protection Cover

POS. 4: Retainer

POS. 5: CPA

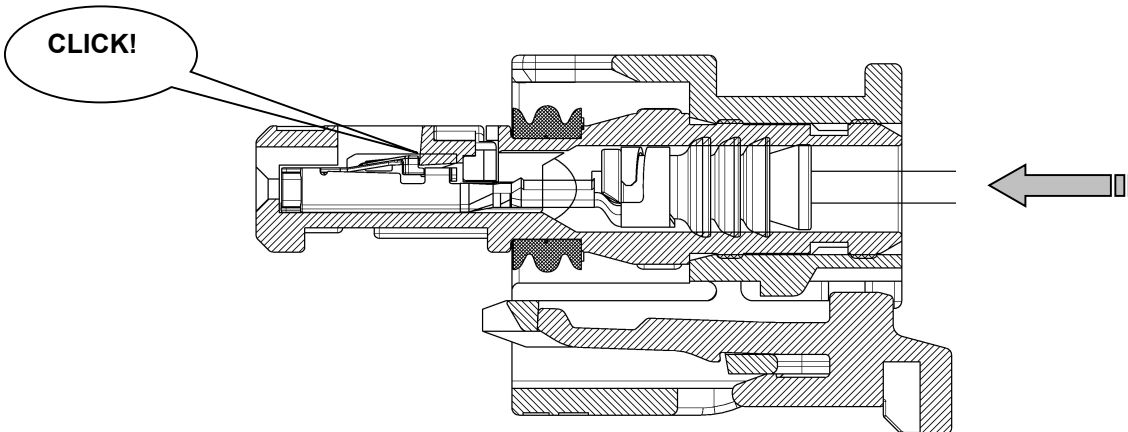
2.2 TERMINAL INSERTION INSTRUCTIONS

INSERTION DIRECTION

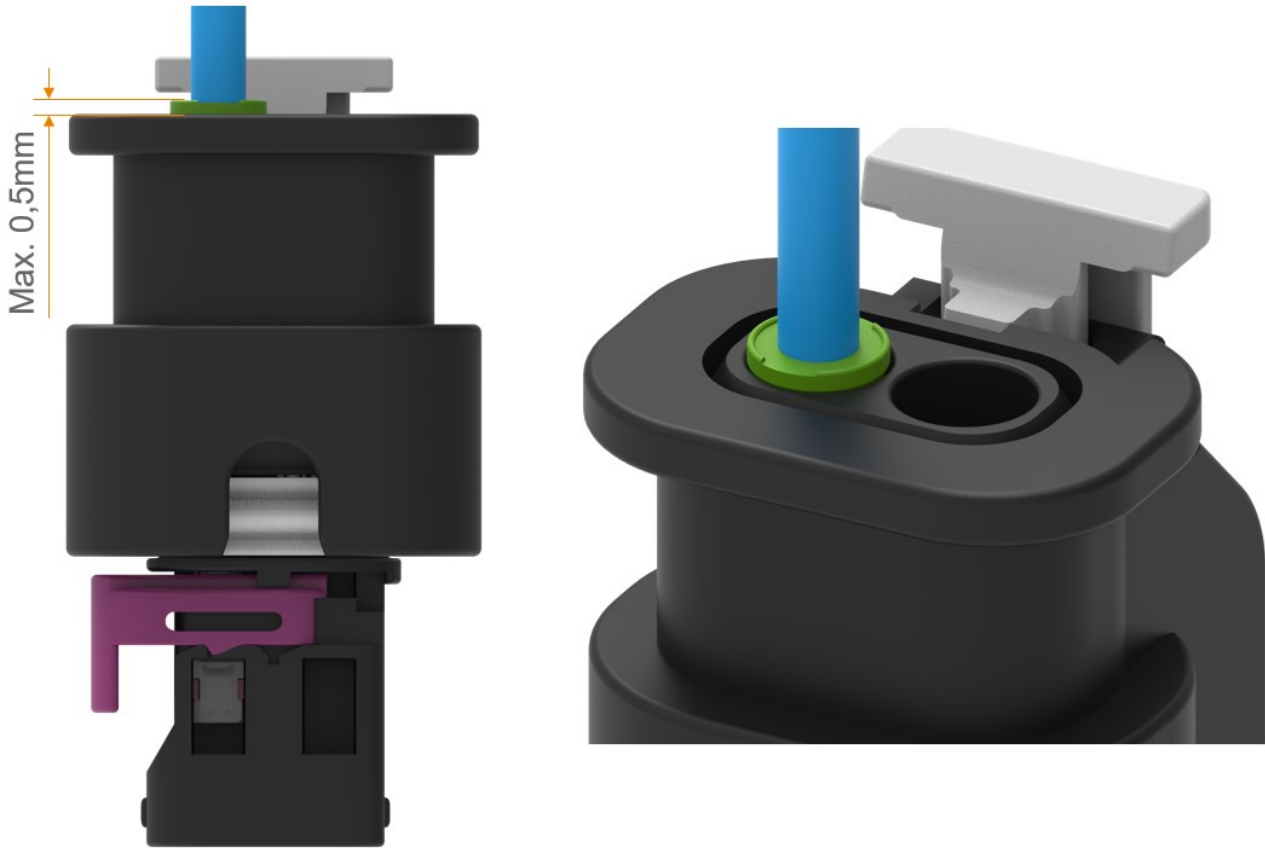
ORIENTATION FEATURE OF THE TERMINAL.



INSERT TERMINAL UNTIL AN AUDIBLE CLICK IS HEARD OR THE LOCK IS FELT



IN CASE OF 1mm² CABLE WITH 180° CABLE EXIT, SWS PROTRUSION DURING TERMINAL INSERTION OF **MAX. 0.5mm** IS ALLOWED. THIS IS ALLOWED FOR THE SEAL COLLAR ONLY. THE SEALING LIPS MUST REMAIN IN THE CONTACT CAVITY AT ALL TIMES.



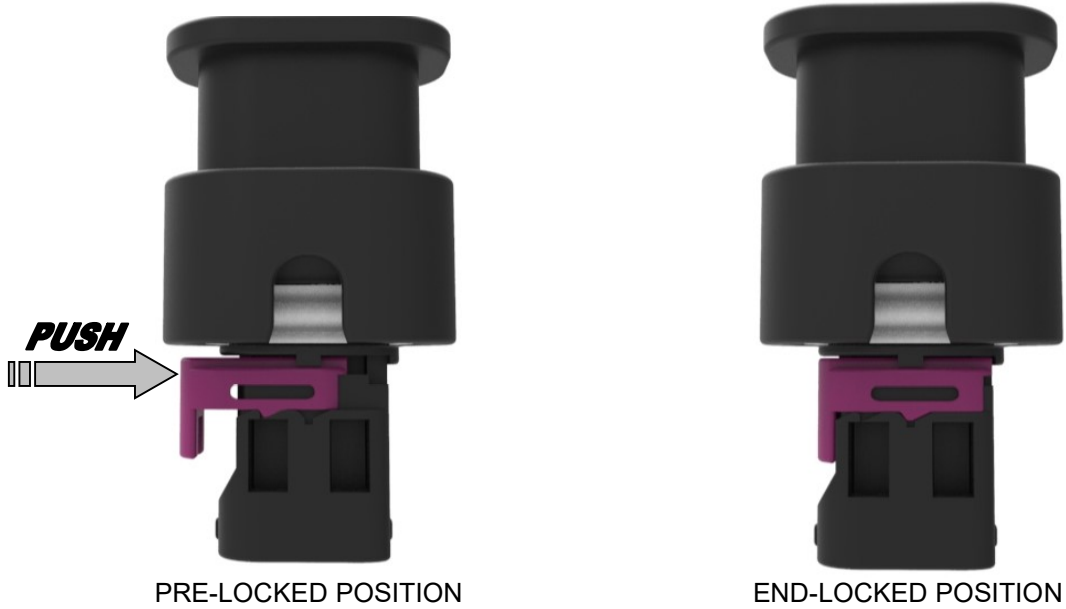
2.3 APPLICABLE WIRES

SEE ALSO THE CUSTOMER DRAWINGS **1452674**

Accessories							
Wire			Part numbers				
Type (DIN 76772)	Ø	mm ²	MCON 1.2 LL	Single wire seal		Blind plug PN / Color	
FLR & ACW	1.2-1.4	0.35	7-1452665-3	Yellow	967067-2	967056-1	Blue
	1.4-1.6	0.50	7-1452668-3	Green	967067-1		
	1.7-1.9	0.75	7-1452668-3	Green	967067-1		
	1.9-2.1	1.00	7-1452671-3	Green	967067-1		
	2.2-2.4	1,50	7-1452671-3	Green	2287497-1		

2.4 RETAINER ENGAGE INSTRUCTIONS

INSERTION OF THE RETAINER TO END-LOCKED POSITION



2.5 RETAINER DISENGAGE INSTRUCTIONS

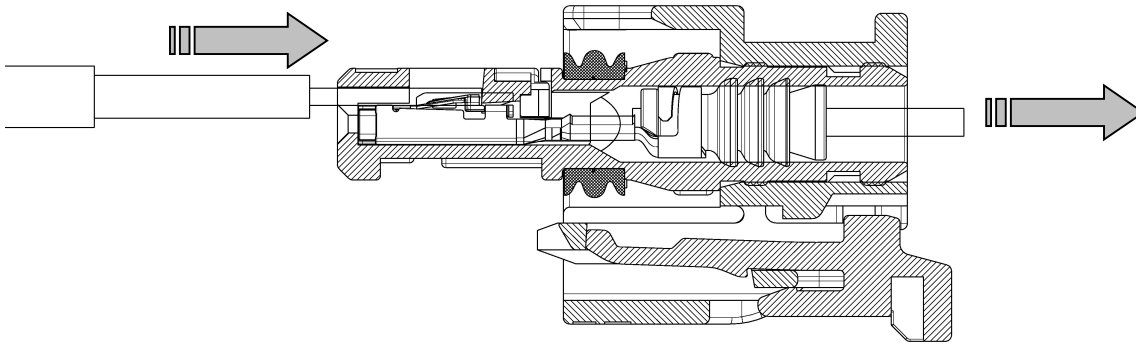
PLACE THE EXTRACTION TOOL (E.G. SCREWDRIVER) IN THE SHOWN PLACE TO DISENGAGE THE RETAINER.



RETAINER ONLY TO MOVE TO THE PRE-LOCKED POSITION

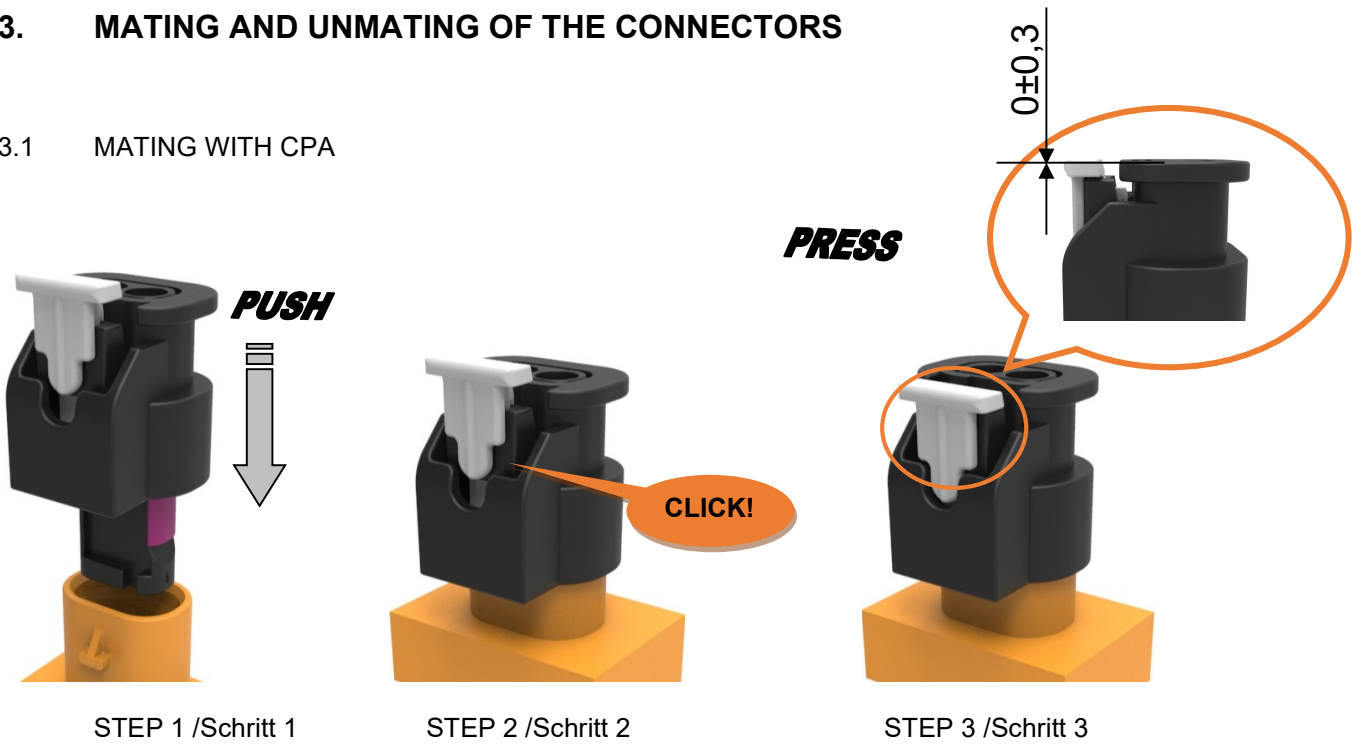
2.6 TERMINAL REMOVAL INSTRUCTIONS

INSERT THE EXTRACTION TOOL (TYCO-PN: 5-1579007-3) TO LOCKING HOOK. THE TERMINALS CAN BE REMOVED BY PULLING THE CABLE AND SIMULTAENEOUSLY BENDING THE LOCKING HOOK

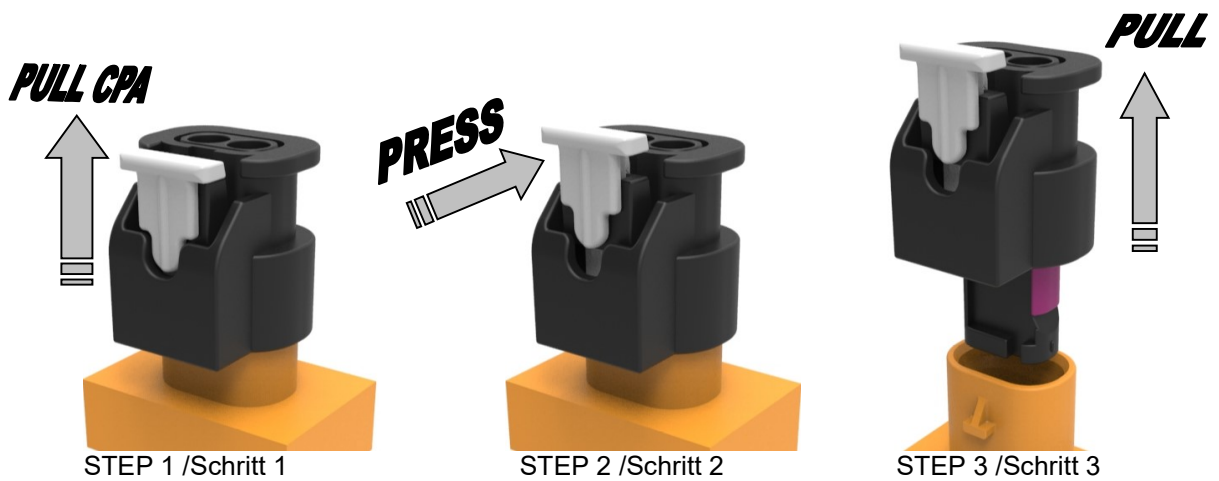


3. MATING AND UNMATING OF THE CONNECTORS

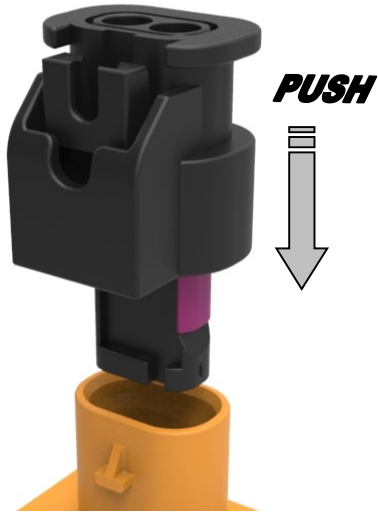
3.1 MATING WITH CPA



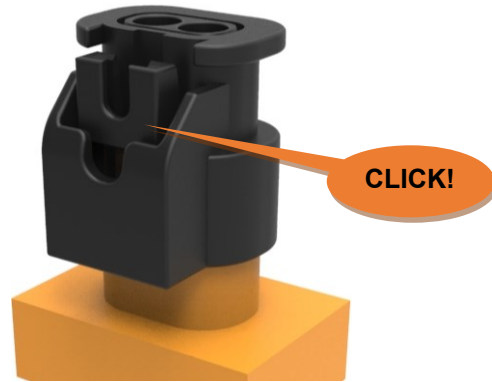
3.2 UNMATING WITH CPA



3.3 MATING WITHOUT CPA

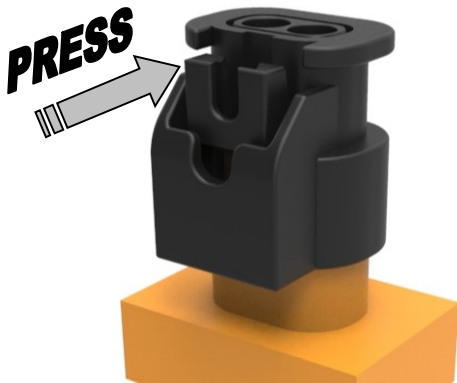


STEP 1

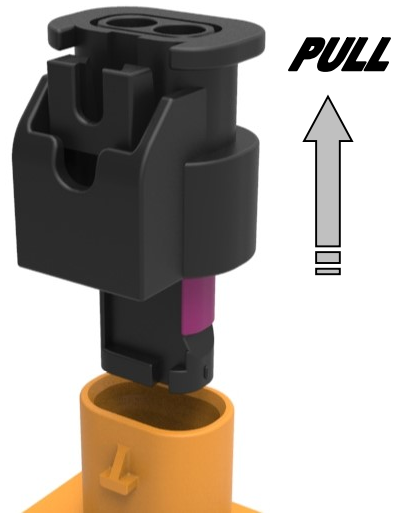


STEP 2

3.4 UNMATING WITHOUT CPA



STEP 1



STEP 2

DOCUMENT CHANGE HISTORY

	NAME	DATE	REV	CHANGE
CHANGE HISTORY	-	18SEP2007	A	Initial document
	Sz. Nemes	11AUG2013	A1	Point 1.3.3 - 1.3.6 added
	Sz. Nemes	26SEP2019	A2	Cosmetical update Wire insulation info added for 1,5mm ² cable
	Sz. Nemes	13DEC2023	A3	Information on SWS protrusion added