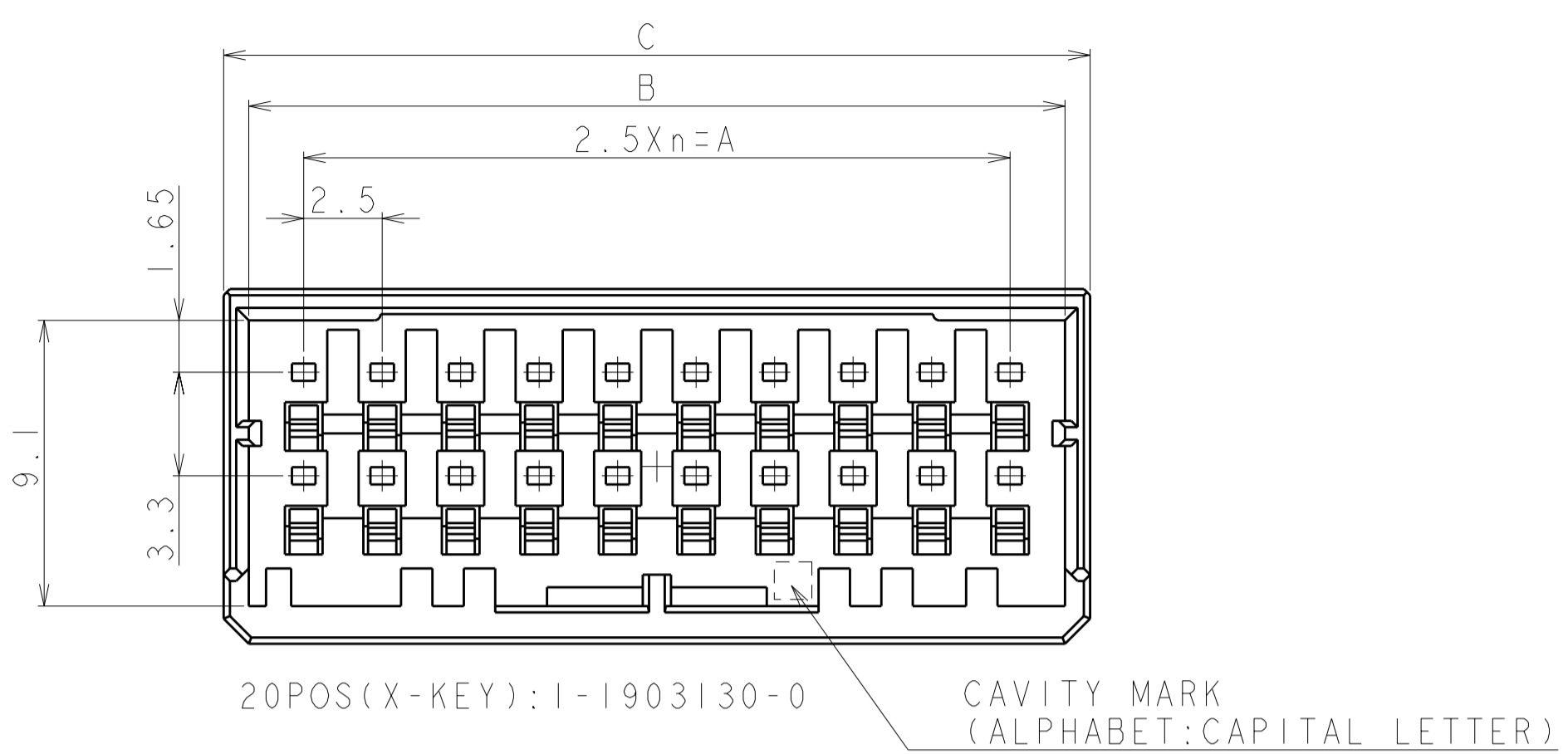
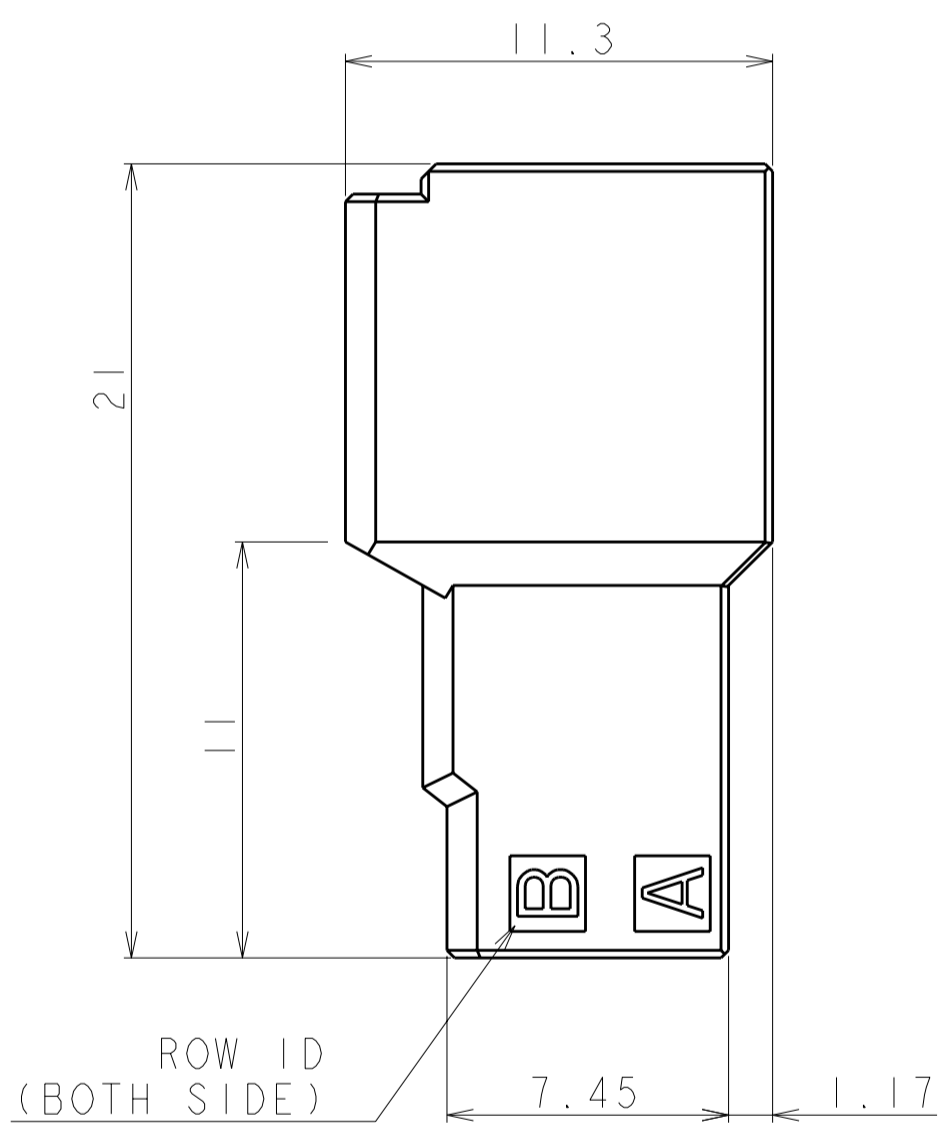
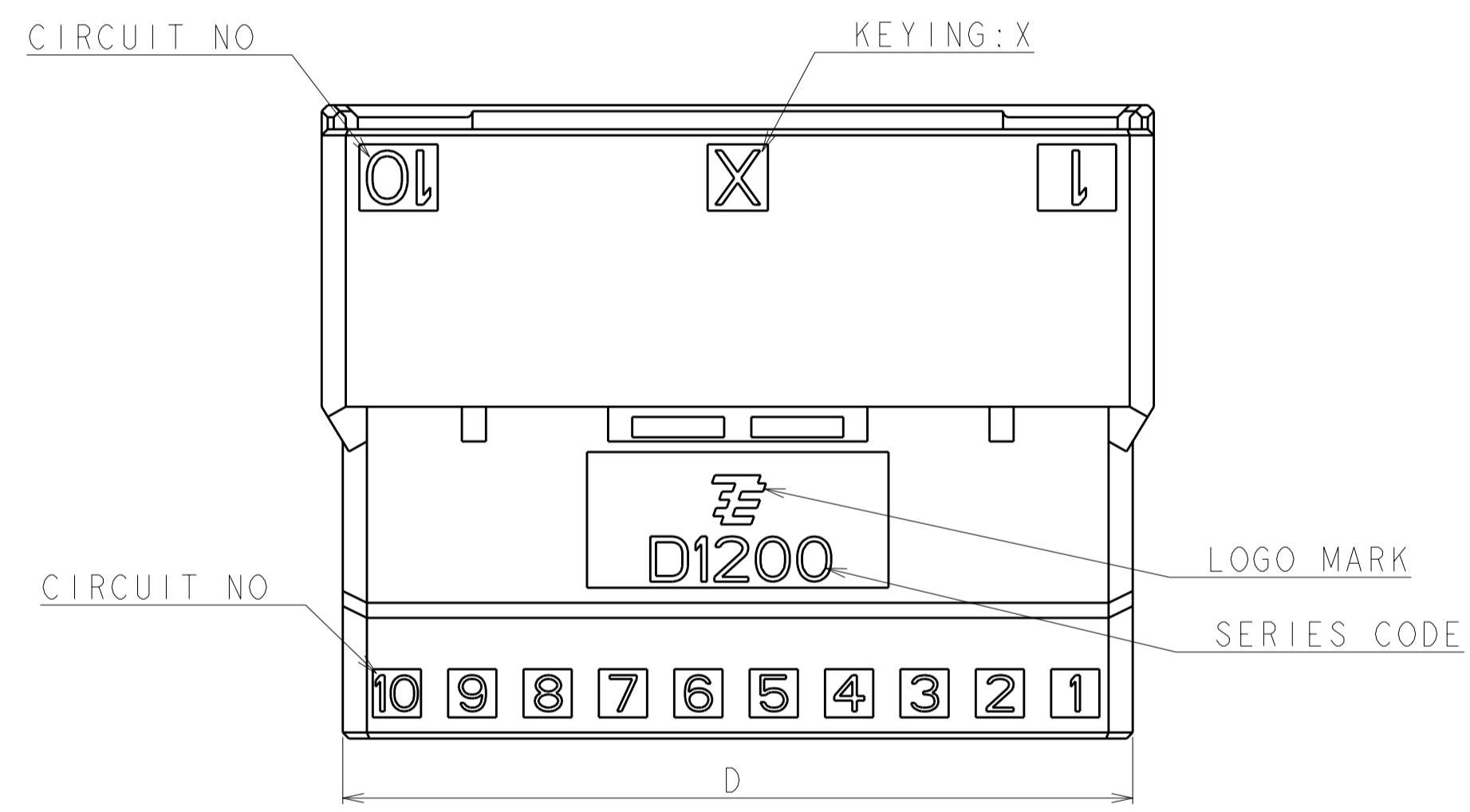


THIS DRAWING IS UNPUBLISHED. RELEASED FOR PUBLICATION 2006
 © COPYRIGHT 2006 BY TYCO ELECTRONICS CORPORATION. ALL INTERNATIONAL RIGHTS RESERVED.

LOC	DIST	REVISIONS					
J		P	LTR	DESCRIPTION	DATE	DWN	APVD
		C		REVISED PER ECR-10-017569	26AUG2010	HMR	T.M



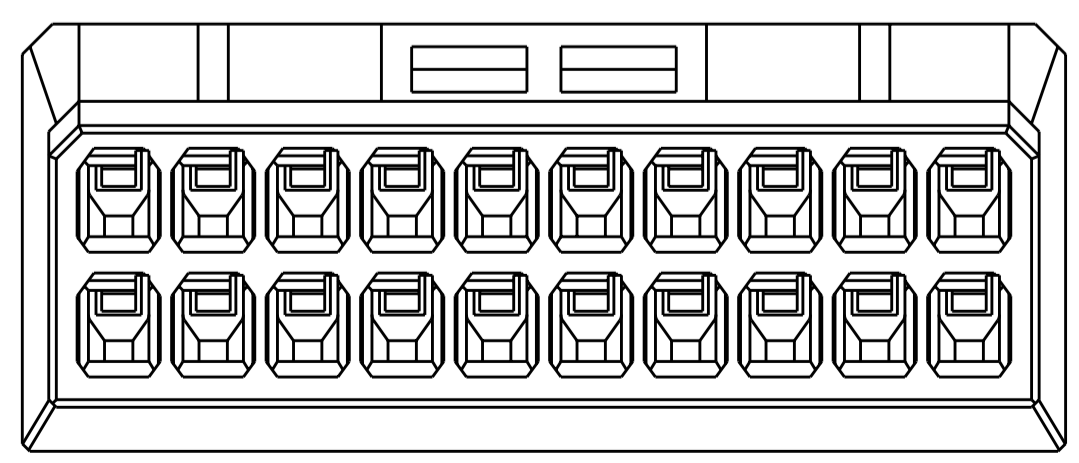
勝特力電材超市-龍山店 886-3-5773766
 勝特力電材超市-光復店 886-3-5729570
 勝特力電子(上海) 86-21-34970699
 勝特力電子(深圳) 86-755-83298787
<http://www.100y.com.tw>



1. MATERIAL: GLASS FILED THERMO PLASTIC POLYESTER(94V-0), COLOR: BLACK
 2. THE SHAPE, SIZE AND POSITION OF THE CHARACTER SHOW THE OUTLINE. THEY DON'T SHOW DETAILS.
 3. THE KEYING ARRANGEMENT OF "Y" IS SYMMETRIC WITH "X".
1. 材料: ガラス入り熱可塑性ポリエステル樹脂(94V-0), 色: 黒
 2. 文字の形状、大きさ、および位置については、大略を示すものであり、詳細を示すものではありません。
 3. Y KEY形状は、X KEY形状と左右対称

AS SHOWN 20POS(X-KEY) : 1-1903130-0

POS	KEY	n	A	B	C	D	PART NO
20	Y	9	22.5	26.0	27.6	26.2	2-1903130-0
20	X	9	22.5	26.0	27.6	26.2	1-1903130-0
12	Y	5	12.5	16.0	17.6	16.2	2-1903130-6
12	X	5	12.5	16.0	17.6	16.2	1-1903130-6
8	Y	3	7.5	11.0	12.6	11.2	2-1903130-4
8	X	3	7.5	11.0	12.6	11.2	1-1903130-4
6	Y	2	5.0	8.5	10.1	8.7	2-1903130-3
6	X	2	5.0	8.5	10.1	8.7	1-1903130-3
4	X	1	2.5	6.0	7.6	6.2	1-1903130-2



THIS DRAWING IS A CONTROLLED DOCUMENT FOR TYCO ELECTRONICS CORPORATION IT IS SUBJECT TO CHANGE AND THE CONTROLLING ENGINEERING ORGANIZATION SHOULD BE CONTACTED FOR THE LATEST REVISION.

DIMENSIONS: 単位: 概 mm
 TOLERANCES UNLESS OTHERWISE SPECIFIED: 一般公差 ±0.3, ±3°
 0-PLC ±
 1-PLC ±
 2-PLC ±
 3-PLC ±
 4-PLC ±
 ANGLES ±
 MATERIAL 材料 FINISH 仕上

DWN: M. MAEBASHI 11APR2006
 CHK: T. KUDO 11APR2006
 APVD: D. MITSUGI 11APR2006
 PRODUCT SPEC: 108-78268, 78298
 APPLICATION SPEC: 114-5377
 WEIGHT: CUSTOMER DRAWING

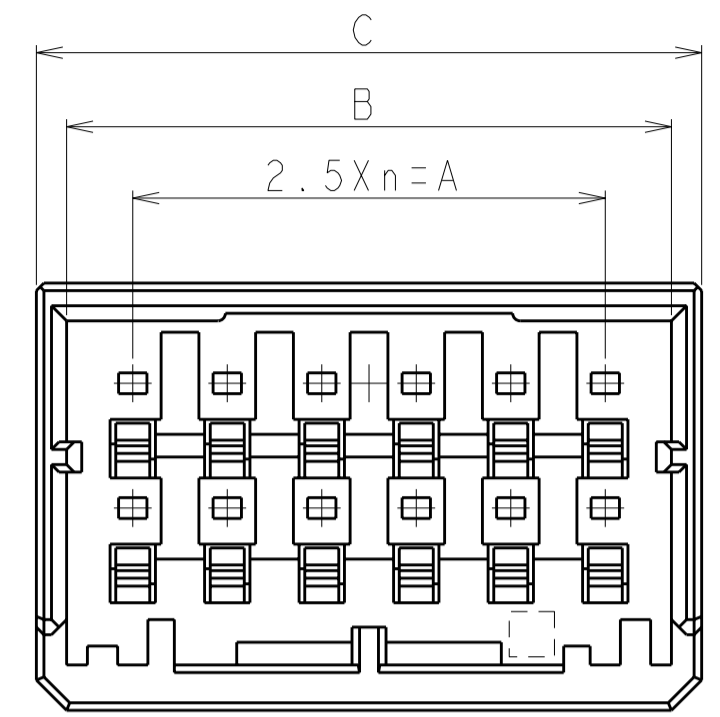
Tyco Electronics Corporation
 Kawasaki, Japan

NAME: DYNAMIC D1200D 2.5mm PITCH TAB HSG, FREE HANGING TYPE 4-20 POS
 SIZE: A2 CAGE CODE: 00779 DRAWING NO: 1903130 RESTRICTED TO: C

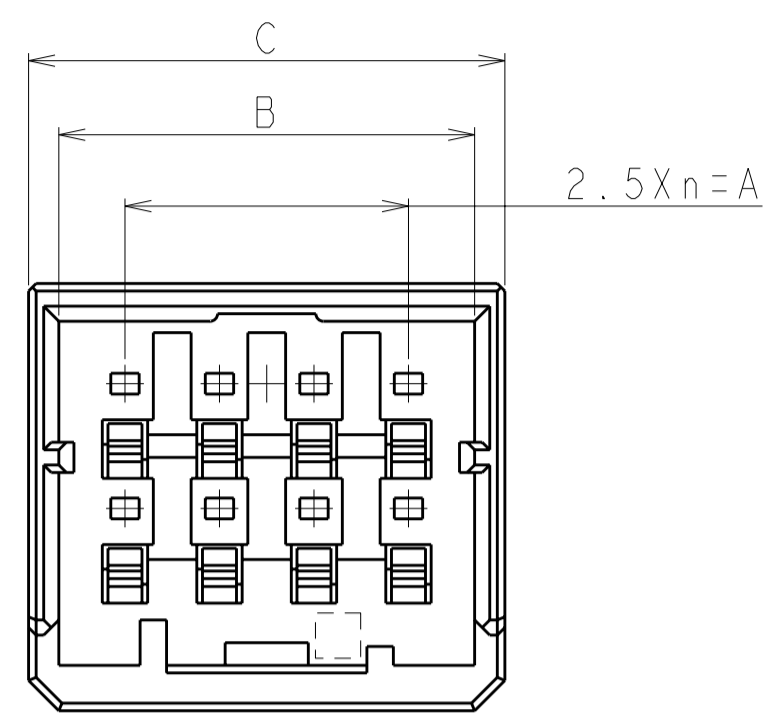
SCALE: 5:1 SHEET 1 OF 2 REV C

THIS DRAWING IS UNPUBLISHED. RELEASED FOR PUBLICATION 2006
 © COPYRIGHT 2006 BY TYCO ELECTRONICS CORPORATION. ALL INTERNATIONAL RIGHTS RESERVED.

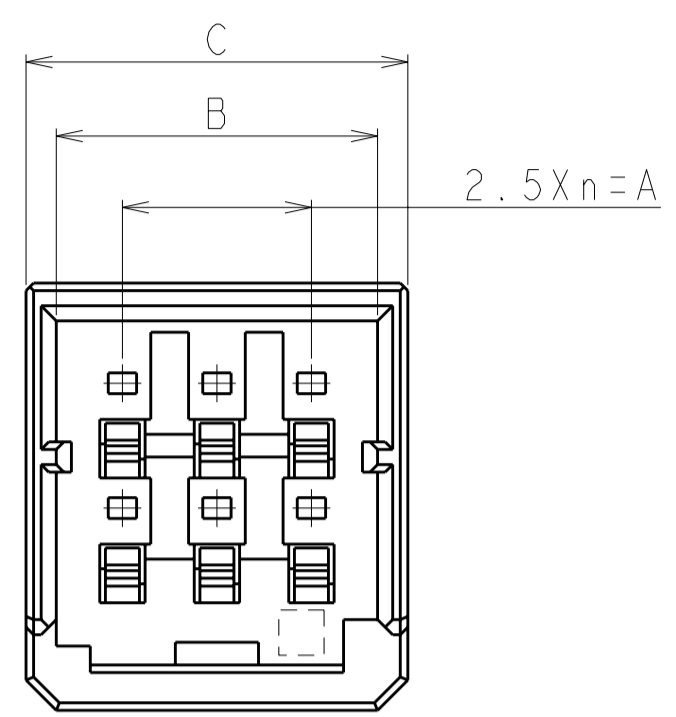
LOC		DIST		REVISIONS			
P	LTR	DATE	DWN	APVD	DESCRIPTION		
J					SEE SHEET 1 OF 2		



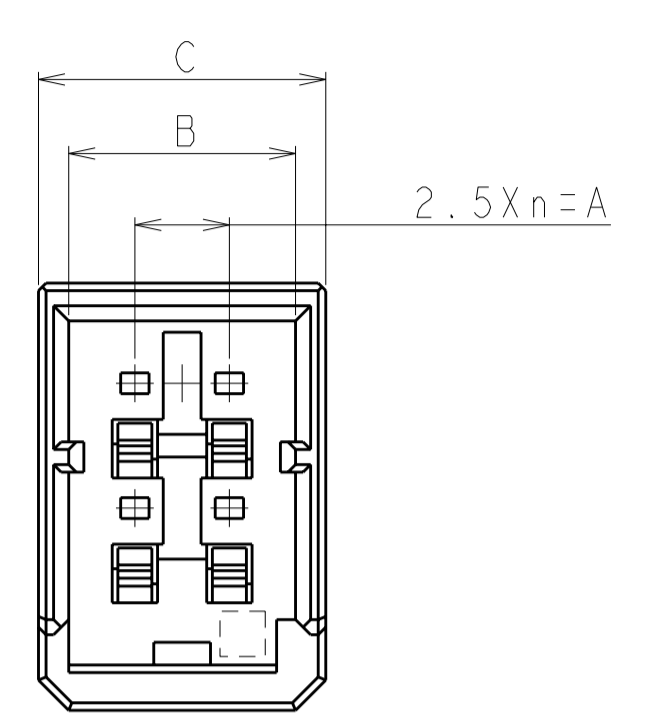
12POS(X-KEY): I-1903130-6



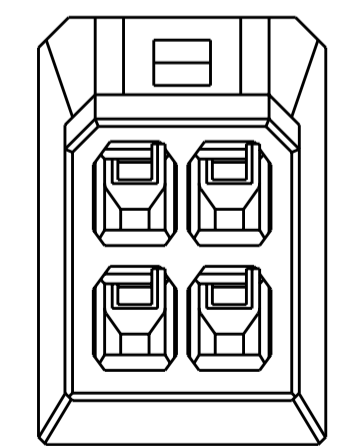
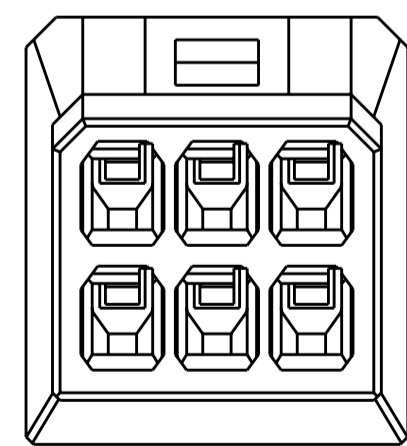
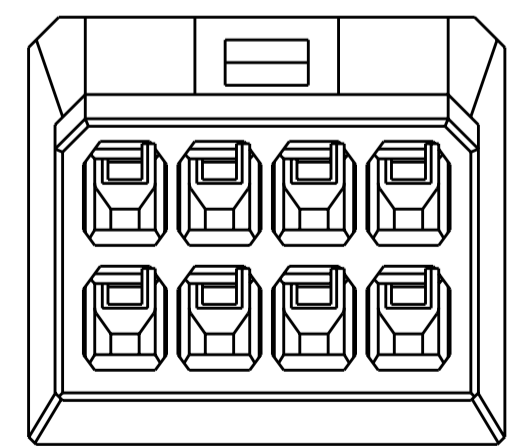
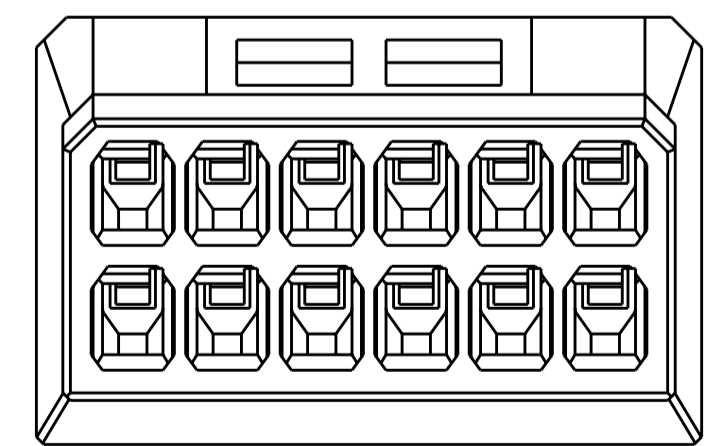
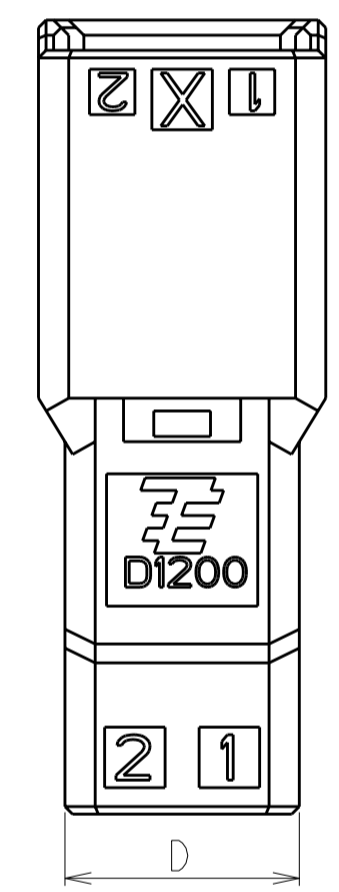
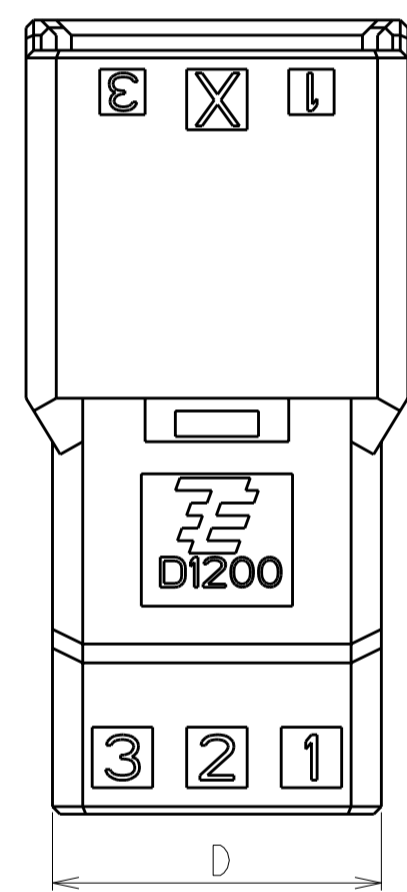
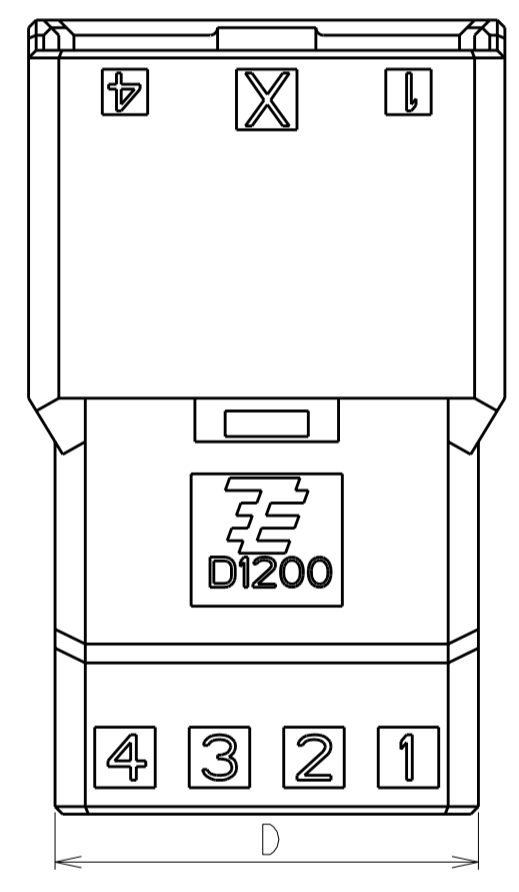
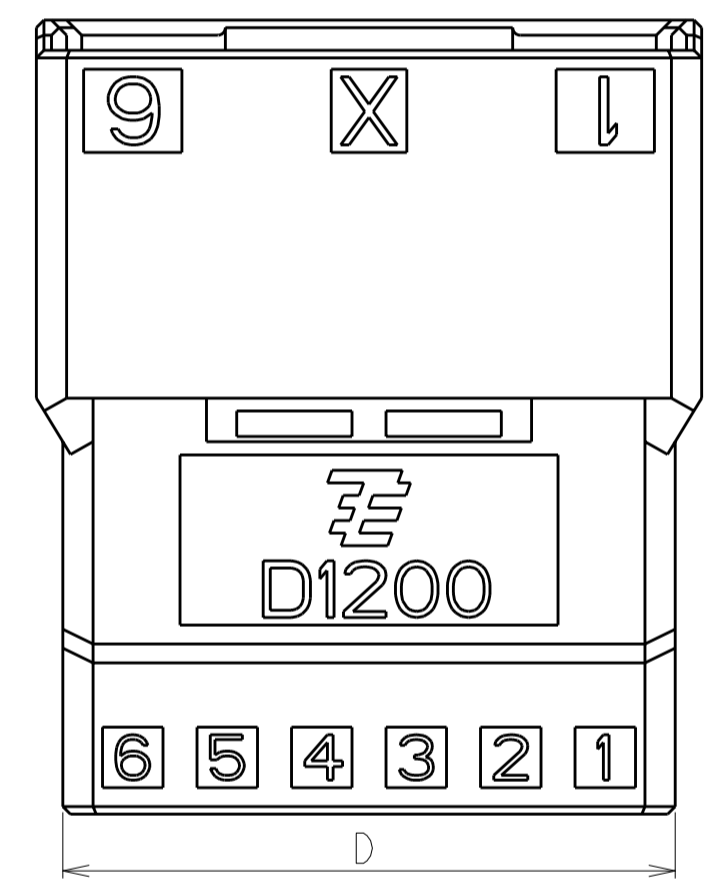
8POS(X-KEY): I-1903130-4



6POS(X-KEY): I-1903130-3



4POS(X-KEY): I-1903130-2



THIS DRAWING IS A CONTROLLED DOCUMENT FOR TYCO ELECTRONICS CORPORATION IT IS SUBJECT TO CHANGE AND THE CONTROLLING ENGINEERING ORGANIZATION SHOULD BE CONTACTED FOR THE LATEST REVISION.		DWN M. MAEBASHI 11APR2006 CHK T. KUDO 11APR2006 APVD D. MITSUGI 11APR2006	Tyco Electronics Corporation Kawasaki, Japan
DIMENSIONS: 単位: 概 mm	TOLERANCES UNLESS OTHERWISE SPECIFIED: 一般公差 0 PLC ± 1 PLC ± 2 PLC ± 3 PLC ± 4 PLC ± ANGLES ± FINISH 仕上	PRODUCT SPEC 製品規格 108-78268, 78298 APPLICATION SPEC 取付適用規格 114-5377	NAME DYNAMIC D1200D 2.5mm PITCH TAB HSG, FREE HANGING TYPE 4-20 POS
MATERIAL 材料		WEIGHT	SIZE A2 CAGE CODE 00779 DRAWING NO. C-1903130
CUSTOMER DRAWING		SCALE 5:1	SHEET 2 OF 2 REV C

Extraction Tool for Dynamic 1000 Series Connector
ダイナミック・1000・シリーズ・コネクタ用引抜工具
TOOL P/N: 1891526-1

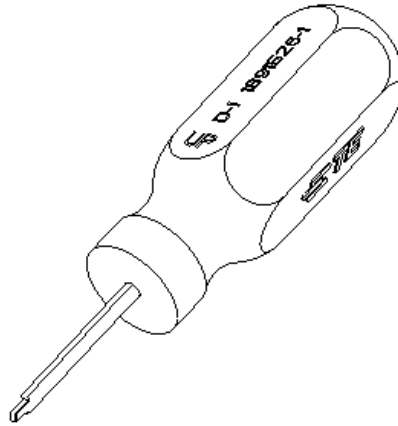


Fig.1 引抜工具(Extraction Tool)

1. はじめに

本取扱説明書は、ダイナミック・1000・シリーズ・コンタクトをハウジングから引抜く際に使用する引抜工具(型番1891526-1)の取扱いについて説明するものです。
作業の前に必ずお読み下さい。

1. INTRODUCTION

This Instruction Sheet explains the handling of the extraction tool (P/N1891526-1) used in Dynamic 1000 Series Contact is extracted from a housing.
READ THIS MANUAL CAREFULLY BEFORE OPERATION

2. 適用製品

コンタクト型番	コンタクト型番
X-1827569-X	X-1903111-X
X-1827586-X	X-1903112-X
X-1827570-X	X-1903113-X
X-1827587-X	X-1903114-X
X-1871303-X	X-1903115-X
X-1871743-X	X-1903116-X
X-1827571-X	X-1903117-X
X-1827588-X	X-1903118-X
X-1871304-X	X-1903120-X
X-1871744-X	X-1903121-X
X-1827572-X	X-1903122-X
X-1827589-X	X-1903124-X
X-1871731-X	X-1903125-X
X-1871745-X	X-1903126-X

2. APPLICABLE PRODUCTS

Contact P/N	Contact P/N
X-1827569-X	X-1903111-X
X-1827586-X	X-1903112-X
X-1827570-X	X-1903113-X
X-1827587-X	X-1903114-X
X-1871303-X	X-1903115-X
X-1871743-X	X-1903116-X
X-1827571-X	X-1903117-X
X-1827588-X	X-1903118-X
X-1871304-X	X-1903120-X
X-1871744-X	X-1903121-X
X-1827572-X	X-1903122-X
X-1827589-X	X-1903124-X
X-1871731-X	X-1903125-X
X-1871745-X	X-1903126-X

Xには、1桁の数字が入り型番を構成します。
プレフィックスが0(ゼロ)の場合は省略されます。

"X" means one numeric number.
When prefix number is 0(zero), prefix omitted.

ハウジング型番	ハウジング型番
X-1827862-X	X-1903129-X
X-1827863-X	X-1903130-X
X-1871057-X	X-1903131-X
X-1871465-X	
X-1827864-X	
X-1827579-X	
X-1903127-X	
X-1903128-X	

Housing P/N	Housing P/N
X-1827862-X	X-1903129-X
X-1827863-X	X-1903130-X
X-1871057-X	X-1903131-X
X-1871465-X	
X-1827864-X	
X-1827579-X	
X-1903127-X	
X-1903128-X	

3. 使用手順

以下の手順でコンタクトを引抜いて下さい。

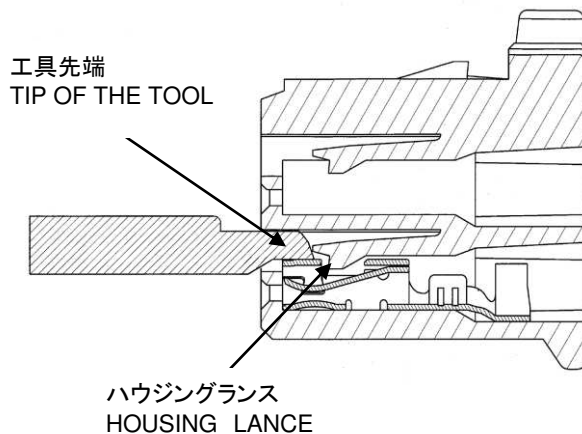


Fig2

[手順]

- 1) コネクタのかん合側から工具先端が突き当たるまで挿入してハウジングランスを上げて下さい。
- 2) その状態で電線を持ち、コンタ外を引抜いて下さい。

注記

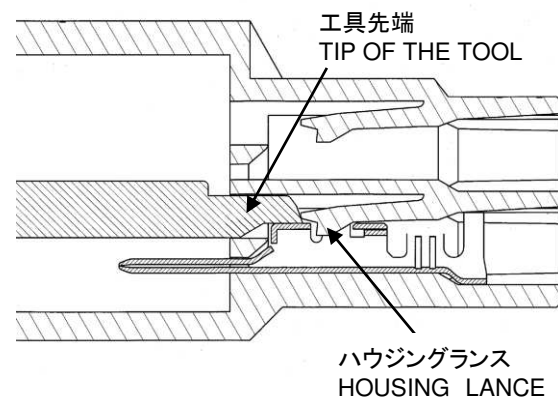
引抜いたコンタ外を再使用する場合はコンタ外に異常がないか確認し、異常があれば使用しないで下さい。

工具を挿入するだけでハウジングランスは解除されます。工具をこじるとランスや工具を傷めますのでこじらないで下さい。

端子カゴウ部には絶対に挿入しないで下さい。挿入した場合は必ず新しい端子と取り替えて下さい。

3.Extraction Procedure

Extract a contact in the following procedure.



[Procedure]

- 1) Insert tool tip from mating side of the connector until it touches and moves the housing lance
- 2) Hold an electric wire in this condition and extract a contact

Notes

When a case of extracted contact, make sure that there no damage on the contact. If the contact is damaged, DO NOT reuse.

Contact lance could be released by just inserting the extraction tool. Do not apply excess force when you push in the tool into housing. Housing lance and/or tool may be damaged.

Do not insert the extraction tool into contact. The contact may be damaged and must be replaced with new one.