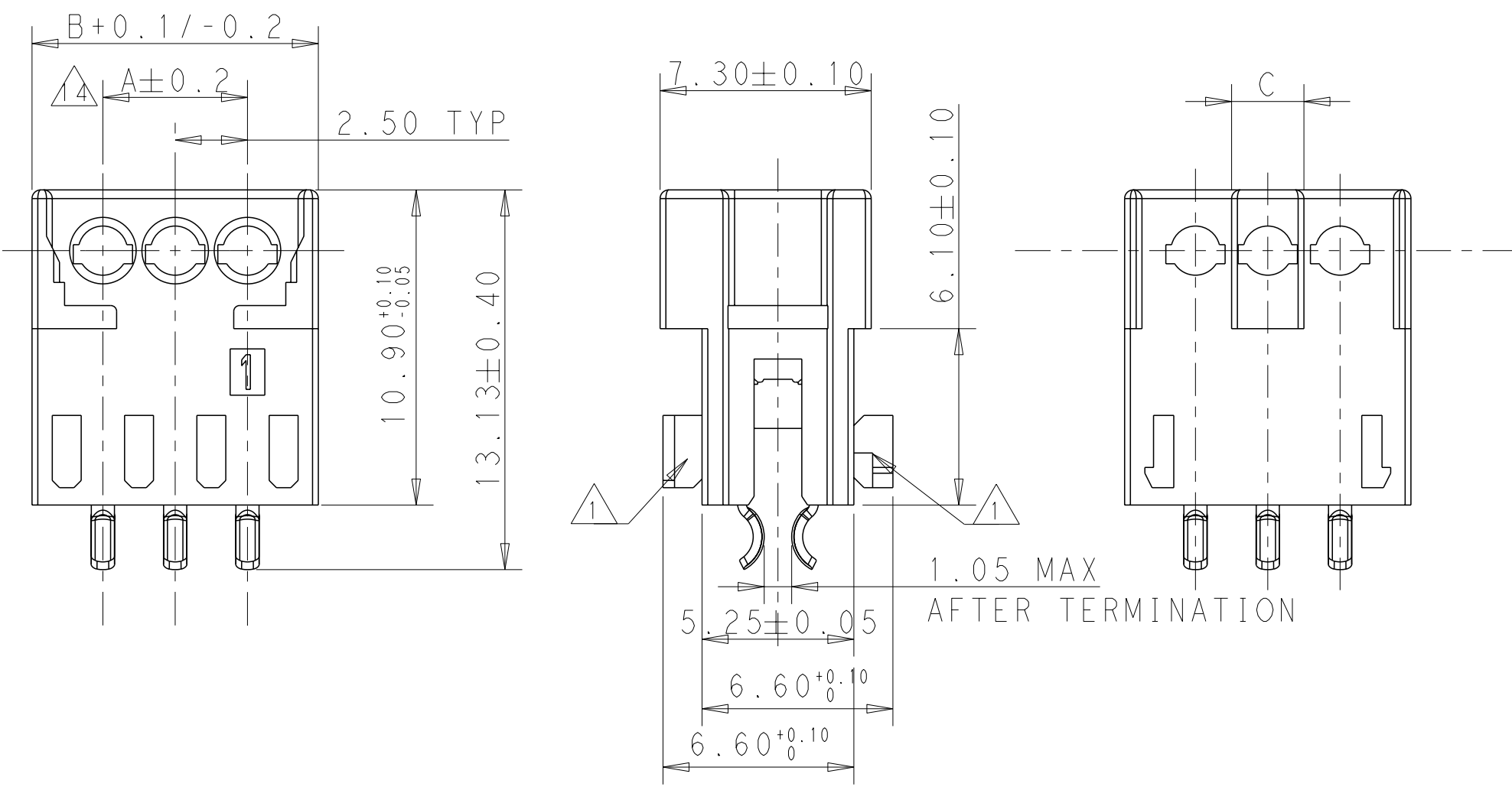
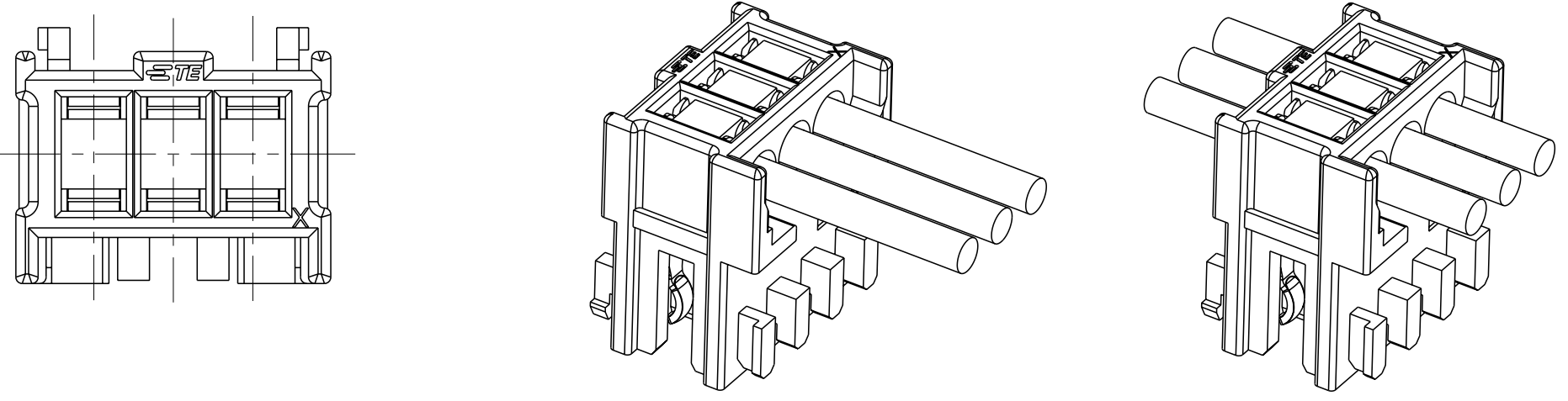


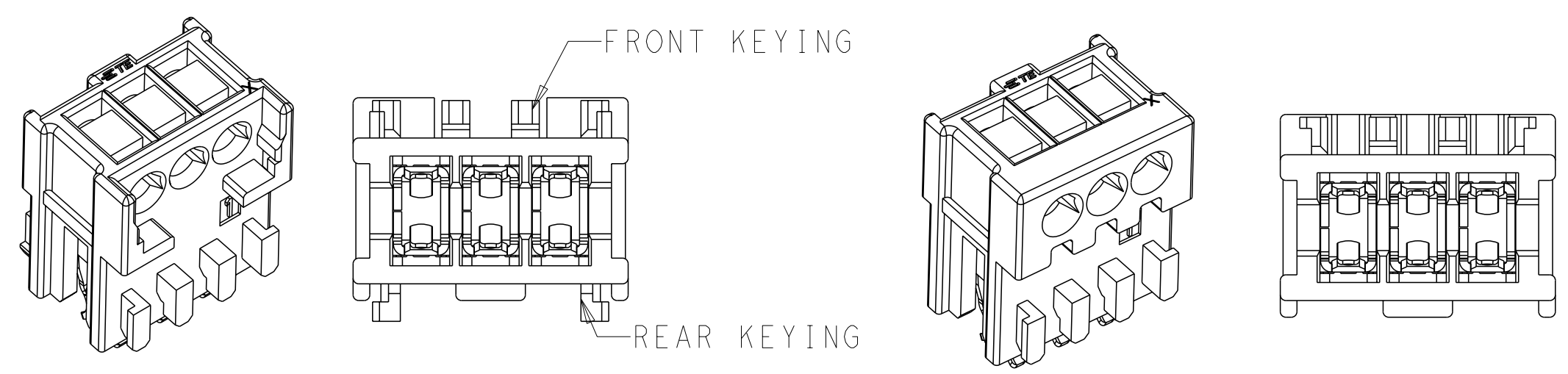
THIS DRAWING IS UNPUBLISHED. RELEASED FOR PUBLICATION  
 © COPYRIGHT copyright.d8Te- ALL RIGHTS RESERVED.

REVISIONS				
P	LTR	DESCRIPTION	DATE	APVD
C		ECR-21-101119	26MAY2021	WW FL
C1		ECR-21-106357	05JUL2021	WW FL
D		ECR-21-124826	23DEC2021	TL FL
D1		ECR-22-129104	15FEB2022	TL FL

**勝特力材料 886-3-5753170**  
**勝特力电子(上海) 86-21-34970699**  
**勝特力电子(深圳) 86-755-83298787**  
[Http://www.100y.com.tw](http://www.100y.com.tw)



KEYING OPTION A AS SHOWN



OPTION A  
FRONT KEYING + REAR KEYING  
OPENING ON FRONT

OPTION B  
FRONT KEYING ONLY  
CLOSING ON FRONT

KEYING OPTIONS

TERMINATED STATUS

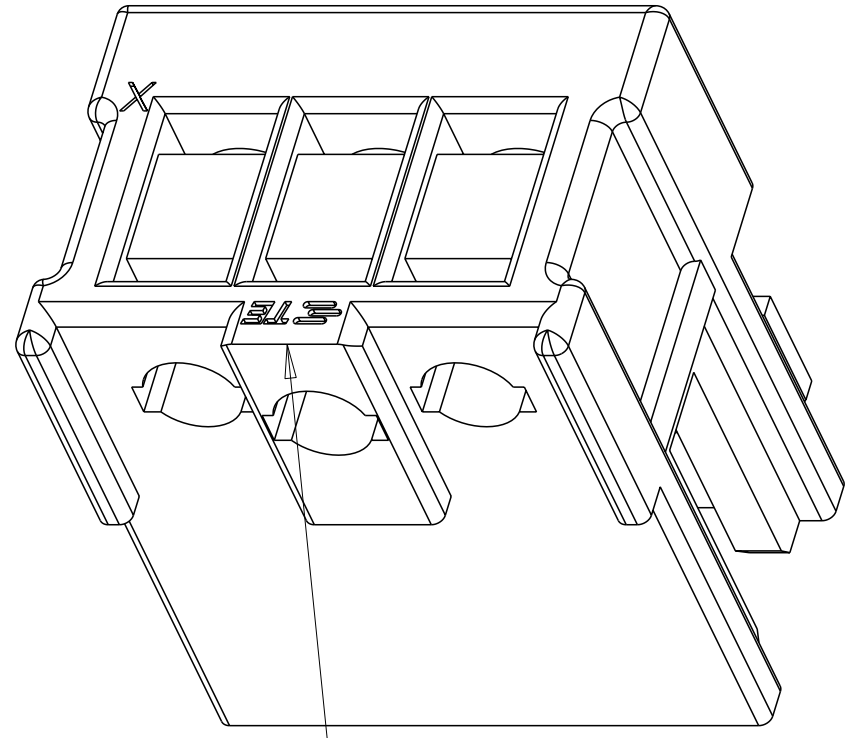
- ① KEYING RIBS: POSSIBLE TO BE CUT WITH TERMINATION MACHINE
- ② MATING PART: PCB OR TAB HEADER ACC. RAST 2.5 STANDARD
- ③ HOUSING: NYLON, IEC 60335-1 GLOW WIRE TEST 750°C WITHOUT FLAME CONTACT: COPPER ALLOY WITH TIN PLATED
- ④ WIRE RANGE 0.22~0.35MM<sup>2</sup>, INSULATION RANGE 1.2~1.6 MM
- ⑤ KEYING RIBS BETWEEN CAVITY NO.. SEE TABLE
- ⑥ TWO KEYING OPTIONS ARE AVAILABLE, THE DIMENSIONS FOR THE TWO OPTIONS ARE THE SAME EXCEPT THAT THE OPTION B HAS ONLY THE FRONT KEYING AND CLOSED FRONT OF HOUSING
- ⑦ FULLY LOADED AND SELECTIVELY LOADED VERSIONS ARE AVAILABLE
- ⑧ X.. CAVITY LOADED WITH CONTACT  
O.. CAVITY WITHOUT CONTACT
- ⑨ KEYING CONFIGURATION SEE PAGE 5, IF NO DETAIL KEYING CONFIGURATION SHOWN TO A PN, THEN NO NEED TO CUT ANY KEYING ON THIS PN
- ⑩ THE SCRATCHES ON THE HOUSING DUE TO THE BARBS OF THE CONTACT ARE ACCEPTABLE, DETAIL PICTURES PLEASE SEE THE SEPC 114-106198.
- ⑪ PRELIMINARY PART NOT RELEASED FOR PRODUCTION
- ⑫ THE PART NUMBER IS WITH LOOSE PIECE AND PACKAGED WITH TUBE
- ⑬ THE PART NUMBER IS WITH CHAIN CONNECTION
- ⑭ DIMENSION "A" IS FROM FIRST HOLE TO LAST HOLE IN THE HOUSING
- ⑮ PNS WITH BLACK HOUSING, OTHERS ARE WITH NATURAL HOUSING
- ⑯ PACKING WITH U SHAPE TUBE
- ⑰ PACKING WITH O SHAPE TUBE

THIS DRAWING IS A CONTROLLED DOCUMENT.		DWN: 09 JUN 2015 WINTER WANG	TE Connectivity	
DIMENSIONS: mm		CHK: 09 JUN 2015 DANIEL ZHANG		
TOLERANCES UNLESS OTHERWISE SPECIFIED:		APVD: 09 JUN 2015 RICCARDO ROBONE	NAME: Customer Drawing MONOPLUG 2.5 CONNECTOR	
0 PLC ±0.4 1 PLC ±0.3 2 PLC ±0.2 3 PLC ± 4 PLC ± ANGLES ± FINISH -		PRODUCT SPEC: 108-106198	SIZE: A2	RESTRICTED TO: -
MATERIAL: -		APPLICATION SPEC: 114-106198	CAGE CODE: -	DRAWING NO: C-2232884
		WEIGHT: -	SCALE: 5:1	SHEET: 1 OF 4
		CUSTOMER DRAWING	REV: D1	

Printed on 17 Feb 2022 13:21 (China Standard Time) from IE487732

THIS DRAWING IS UNPUBLISHED. RELEASED FOR PUBLICATION  
 © COPYRIGHT copyright.d8te- ALL RIGHTS RESERVED.

REVISIONS				
P	LTR	DESCRIPTION	DATE	APVD
		SEE SHEET 1		



WITHOUT OBVIOUS RADIUS IN THIS EDGE, ONLY FOR 3P, 4P & 5P

UL94-V0 GWT 750°C TIN PLATED LOOSE PIECE	ALL CAVITIES LOADED WITH CONTACT, FULLY LOADED	B	13	30	34.9	2.5	1-2232893-3	1-2406853-3
			12	27.5	32.4	5	1-2232893-2	1-2406853-2
			11	25	29.9	2.5	1-2232893-1	1-2406853-1
			10	22.5	27.4	5	1-2232892-0	1-2406852-0
			9	20	24.9	2.5	1-2232892-9	1-2406852-9
			8	17.5	22.4	5	1-2232892-8	1-2406852-8
			7	15	19.9	2.5	1-2232892-7	1-2406852-7
			6	12.5	17.4	5	1-2232892-6	1-2406852-6
			5	10	14.9	2.5	1-2351101-5 <sup>△15</sup>	1-2406854-5 <sup>△15</sup>
			5	10	14.9	2.5	1-2232892-5	1-2406852-5
			4	7.5	12.4	5	1-2351101-4 <sup>△15</sup>	1-2406854-4 <sup>△15</sup>
			4	7.5	12.4	5	1-2232892-4	1-2406852-4
			3	5	9.9	2.5	1-2351101-3 <sup>△15</sup>	1-2406854-3 <sup>△15</sup>
3	5	9.9	2.5	1-2232892-3	1-2406852-3			
2	2.5	7.4	2.5	1-2232892-2	1-2406852-2			
PROPERTIES	CAVITIES LOADED	KEYING OPTION	POS.	DIM A	DIM B	DIM C	PART-NO <sup>△12</sup> <sup>△16</sup>	PART-NO <sup>△11</sup> <sup>△17</sup> <sup>△12</sup>

UL94-V0 GWT 750°C TIN PLATED LOOSE PIECE	ALL CAVITIES LOADED WITH CONTACT, FULLY LOADED	A	13	30	34.9	2.5	1-2232885-3
			12	27.5	32.4	5	1-2232885-2
			11	25	29.9	2.5	1-2232885-1
			10	22.5	27.4	5	1-2232884-0
			9	20	24.9	2.5	1-2232884-9
			8	17.5	22.4	5	1-2232884-8
			7	15	19.9	2.5	1-2232884-7
			6	12.5	17.4	5	1-2232884-6
			5	10	14.9	2.5	1-2232884-5
			4	7.5	12.4	5	1-2232884-4
			3	5	9.9	2.5	1-2232884-3
			2	2.5	7.4	2.5	1-2232884-2
			PROPERTIES	CAVITIES LOADED	KEYING OPTION	POS.	DIM A

THIS DRAWING IS A CONTROLLED DOCUMENT.		DWN 09 JUN 2015 WINTER WANG	TE Connectivity
DIMENSIONS: mm		CHK 09 JUN 2015 DANIEL ZHANG	
TOLERANCES UNLESS OTHERWISE SPECIFIED:		APVD 09 JUN 2015 RICCARDO ROBONE	
0 PLC ±0.4 1 PLC ±0.3 2 PLC ±0.2 3 PLC ± 4 PLC ± ANGLES ± FINISH -		PRODUCT SPEC 108-106198 APPLICATION SPEC 114-106198 WEIGHT -	NAME Customer Drawing MONOPLUG 2.5 CONNECTOR SIZE A2 CAGE CODE - DRAWING NO C-2232884 RESTRICTED TO -
MATERIAL -		CUSTOMER DRAWING	
		SCALE 5:1	SHEET 2 OF 4
		REV D1	

Printed on 17 Feb 2022 13:21 (China Standard Time) from IE487732

THIS DRAWING IS UNPUBLISHED. RELEASED FOR PUBLICATION  
 © COPYRIGHT copyright.d8Te- ALL RIGHTS RESERVED.

REVISIONS				
P	LTR	DESCRIPTION	DATE	APVD
		SEE SHEET 1		

UL94-V0 GWT 750°C TIN PLATED LOOSE PIECE	X	O	X	O	X	O	X	O	X	O	X	O	X	B	13	30	34.9	2.5	1-2232891-3	1-2406851-3
	X	X	X	O	O	X	O	O	X	X	X	X			12	27.5	32.4	5	1-2232891-2	1-2406851-2
	X	X	X	O	O	O	X	O	X	O	X				11	25	29.9	2.5	2-2232891-1	2-2406851-1
	X	O	X	O	X	O	X	O	X	O	X				11	25	29.9	2.5	1-2232891-1	1-2406851-1
	X	O	O	X	O	X	O	X	O	X					10	22.5	27.4	5	4-2232890-0	4-2406849-0
	X	X	O	X	O	X	O	X	O	X					10	22.5	27.4	5	3-2232890-0	3-2406849-0
	X	X	O	X	O	X	O	X	X	X					10	22.5	27.4	5	1-2232890-0	1-2406849-0
	X	O	X	O	X	O	X	O	X						9	20	24.9	2.5	1-2232890-9	1-2406849-9
	X	X	O	O	O	X	X	X							8	17.5	22.4	5	1-2232890-8	1-2406849-8
	X	O	X	O	X	O	X								7	15	19.9	2.5	1-2352002-7 $\triangle_{15}$	1-2406856-7 $\triangle_{15}$
	X	O	X	O	X	O	X								7	15	19.9	2.5	1-2232890-7	1-2406849-7
	X	O	X	O	X	X									6	12.5	17.4	5	1-2232890-6	1-2406849-6
	X	O	X	O	X										5	10	14.9	2.5	1-2352002-5 $\triangle_{15}$	1-2406856-5 $\triangle_{15}$
	X	O	X	O	X										5	10	14.9	2.5	1-2232890-5	1-2406849-5
	X	O	X	X											4	7.5	12.4	5	1-2232890-4	1-2406849-4
X	O	X											3	5	9.9	2.5	1-2232890-3	1-2406849-3		
X	O												2	2.5	7.4	2.5	1-2232890-2	1-2406849-2		
PROPERTIES	1	2	3	4	5	6	7	8	9	10	11	12	13	KEYING OPTION	POS.	DIM A	DIM B	DIM C	PART-NO. $\triangle_{12}$ $\triangle_{16}$	PART-NO. $\triangle_{11}$ $\triangle_{12}$ $\triangle_{17}$
CAVITIES LOADED $\triangle_8$																				

UL94-V0 GWT 750°C TIN PLATED LOOSE PIECE	X	O	X	O	X	O	X	O	X	O	X	O	X	A	13	30	34.9	2.5	1-2232895-3			
	X	X	X	O	O	X	O	O	X	X	X	X			12	27.5	32.4	5	1-2232895-2			
	X	X	X	O	O	O	X	O	X	O	X				11	25	29.9	2.5	2-2232895-1			
	X	O	X	O	X	O	X	O	X	O	X				11	25	29.9	2.5	1-2232895-1			
	X	X	O	X	O	X	O	X	X	X					10	22.5	27.4	5	1-2232894-0			
	X	O	X	O	X	O	X	O	X						9	20	24.9	2.5	1-2232894-9			
	X	X	O	O	O	X	X	X							8	17.5	22.4	5	1-2232894-8			
	X	O	X	O	X	O	X								7	15	19.9	2.5	1-2232894-7			
	X	O	X	O	X	X									6	12.5	17.4	5	1-2232894-6			
	X	O	X	O	X										5	10	14.9	2.5	1-2232894-5			
	X	O	X	X											4	7.5	12.4	5	1-2232894-4			
	X	O	X												3	5	9.9	2.5	1-2232894-3			
	X	O													2	2.5	7.4	2.5	1-2232894-2			
	PROPERTIES	1	2	3	4	5	6	7	8	9	10	11	12		13	KEYING OPTION	POS.	DIM A	DIM B	DIM C	PART-NO. $\triangle_{11}$ $\triangle_{12}$ $\triangle_{16}$	
	CAVITIES LOADED $\triangle_8$																					

THIS DRAWING IS A CONTROLLED DOCUMENT.

DIMENSIONS: mm	TOLERANCES UNLESS OTHERWISE SPECIFIED: 0 PLC ±0.4 1 PLC ±0.3 2 PLC ±0.2 3 PLC ± 4 PLC ±	DWN: 09 JUN 2015 WINTER WANG CHK: 09 JUN 2015 DANIEL ZHANG APVD: 09 JUN 2015 RICCARDO ROBONE	NAME: Customer Drawing MONOPLUG 2.5 CONNECTOR
MATERIAL: -	FINISH: -	PRODUCT SPEC: 108-106198 APPLICATION SPEC: 114-106198	SIZE: A2 CAGE CODE: - DRAWING NO: C-2232884
CUSTOMER DRAWING		WEIGHT: -	RESTRICTED TO: -
		SCALE: 5:1	SHEET: 3 OF 4 REV: D1

STE TE Connectivity

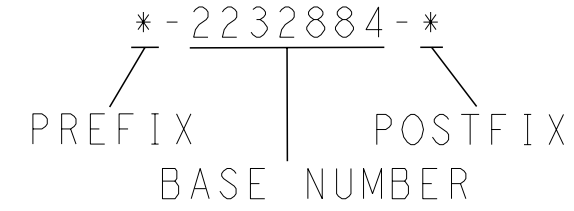
Printed on 17 Feb 2022 13:21 (China Standard Time) from IE487732

THIS DRAWING IS UNPUBLISHED. RELEASED FOR PUBLICATION  
 © COPYRIGHT copyright.d8te ALL RIGHTS RESERVED.

REVISIONS				
P	LTR	DESCRIPTION	DATE	APVD
		SEE SHEET 1		

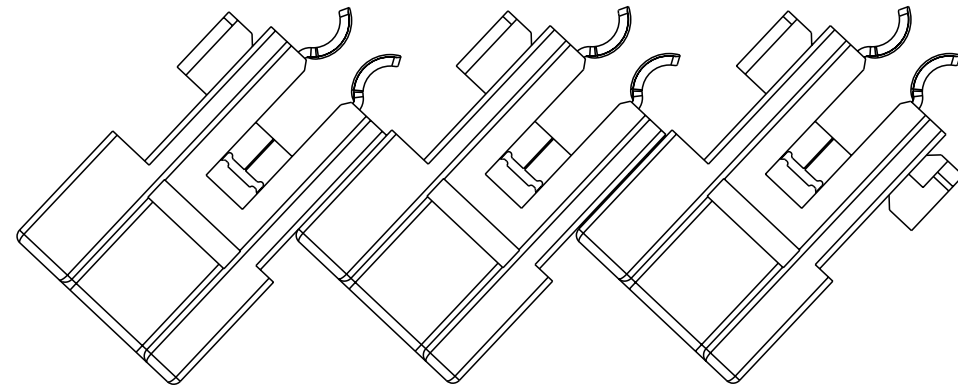
FOR ANY PART NUMBER WITH KEYING OPTION A, THERE ARE TWO PACKGING STYLE AVAILABLE, LOOSE PIECE AND CHAIN CONNECTION. THE P/N OF THE PARTS IN CHAIN CONNECTION IS BASED ON THE PARTS IN LOOSE PIECE, THE PREFIX AND POSTFIX ARE THE SAME FOR THE SAME STRUCTURE OF THE PARTS, BUT THE BASE NUMBERS ARE DIFFERENT ACCORDING TO DIFFERENT PACKAGING STYLE. THE FOLLOWING TABLE SHOWS THE P/S FOR THE PARTS IN CHAIN CONNECTION BASED ON THE PARTS IN LOOSE PIECE

PACKAGING STYLE	△1 LOOSE PIECE △2	△1 CHAIN CONNECTION △3
PART NUMBER OF MONOPLUG 2.5	*-2232884-*	*-2305996-*
	*-2232885-*	*-2305997-*
	*-2232894-*	*-2305998-*
	*-2232895-*	*-2305999-*
	*-2304155-*	*-2306437-*
	*-2306443-*	*-2306438-*
	*-2306439-*	*-2306441-*
	*-2306440-*	*-2306442-*



\* CAN BE THE NUMBER FROM 0 TO 9, AND 0 CAN BE DEFAULT

FOR EXAMPLE, IF A PART OF MONOPLUG 2.5 IS IN LOOSE PIECE, AND IT'S PART NUMBER IS 1-2232885-2, AND IF THE SAME PART IS IN CHAIN CONNECTION, THEN THE PART NUMBER IS 1-2305997-2



△3 CHAIN CONNECTION

THIS DRAWING IS A CONTROLLED DOCUMENT.		DWN 09 JUN 2015 WINTER WANG	<b>STE</b> TE Connectivity	
DIMENSIONS: mm		CHK 09 JUN 2015 DANIEL ZHANG		
TOLERANCES UNLESS OTHERWISE SPECIFIED: 0 PLC ±0.4 1 PLC ±0.3 2 PLC ±0.2 3 PLC ± 4 PLC ± ANGLES ± FINISH -		APVD 09 JUN 2015 RICCARDO ROBONE	NAME Customer Drawing MONOPLUG 2.5 CONNECTOR	
MATERIAL -		PRODUCT SPEC 108-106198	SIZE A2	CAGE CODE -
		APPLICATION SPEC 114-106198	DRAWING NO G-2232884	RESTRICTED TO -
		WEIGHT -	SCALE 5:1	SHEET 4 OF 4
		CUSTOMER DRAWING	REV D1	

Printed on 17 Feb 2022 13:21 (China Standard Time) from IE48732

# Mouser Electronics

Authorized Distributor

Click to View Pricing, Inventory, Delivery & Lifecycle Information:

[TE Connectivity:](#)

[1-2232890-3](#)