

4

3

2

1

THIS DRAWING IS UNPUBLISHED.

RELEASED FOR PUBLICATION

20

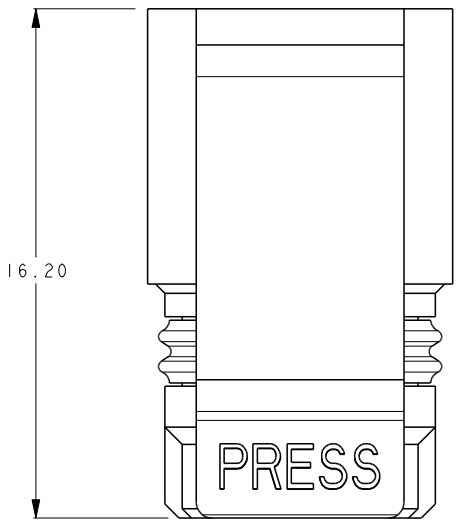
© COPYRIGHT 20

ALL RIGHTS RESERVED.

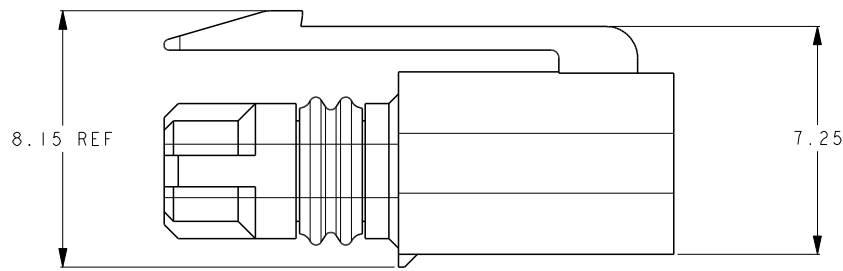
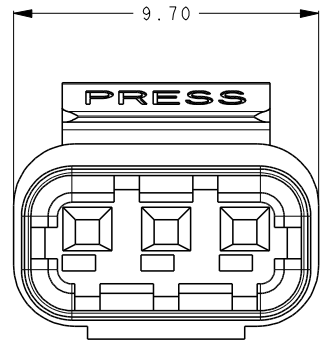
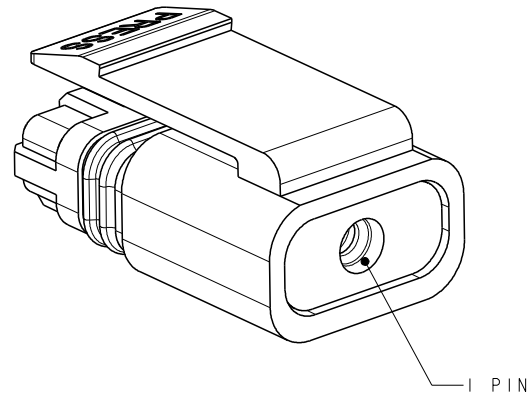
ES

REVISIONS

P	LTR	DESCRIPTION	DATE	DWN	APVD
A		INITIAL RELEASE	15JUL2016	Z.W	X.X
B		ADD NEW I POS PART NUMBERS	20JUN2017	Z.W	S.M
C		UPDATE PACKAGE SPEC	2JAN2018	Z.W	S.M



勝特力電材超市-龍山店 886-3-5773766
 勝特力電材超市-光復店 886-3-5729570
 勝特力电子(上海) 86-21-34970699
 勝特力电子(深圳) 86-755-83298787
<http://www.100y.com.tw>



- NOTES:
1. MATERIAL: THERMOPLASTIC, UL94-V0.
 2. HOUSING: THERMOPLASTIC, UL94-V0.
 3. SEAL: RUBBER.
 4. PART NUMBER: SEE TABLE
 5. PACKAGING: TRAY.
 6. PACKAGING SPEC: 107-137093.

GRAY	I	4-2834074-1
RED	I	3-2834074-1
BLACK	I	2-2834074-1
WHITE	I	1-2834074-1
COLOR	NO OF POSN	PART NUMBER

Ⓑ

THIS DRAWING IS A CONTROLLED DOCUMENT.		DWN	15JULY2016	TE Connectivity	
DIMENSIONS: mm		CHK	15JULY2016		
TOLERANCES UNLESS OTHERWISE SPECIFIED: ±0.5		APVD	15JULY2016		
0-PLC ± 1-PLC ± 2-PLC ± 3-PLC ± 4-PLC ± ANGLES ±5°		NAME			
MATERIAL		PRODUCT SPEC	108-137093	PLUG MINIATURE WATERPROOF CONNECTOR	
FINISH		APPLICATION SPEC	114-137093	SIZE	RESTRICTED TO
		WEIGHT	-	CAGE CODE	DRAWING NO
		CUSTOMER DRAWING		A300779	Ⓒ=2834074
		SCALE	5:1	SHEET	1 OF 4
		REV			C

4

3

2

1

THIS DRAWING IS UNPUBLISHED.

RELEASED FOR PUBLICATION

20

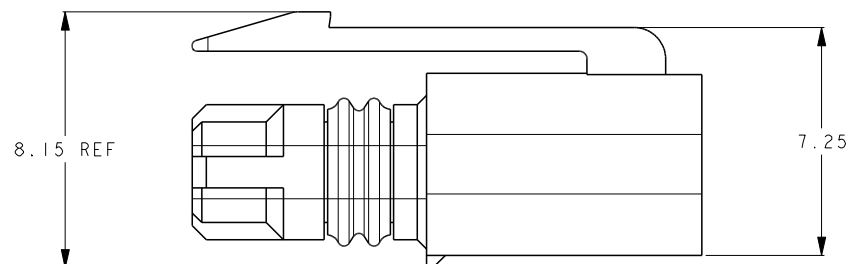
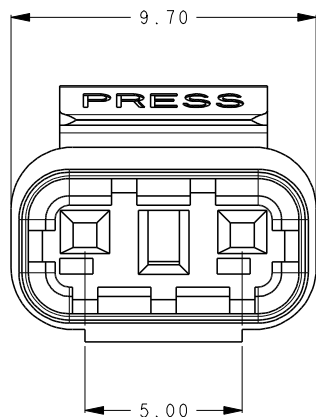
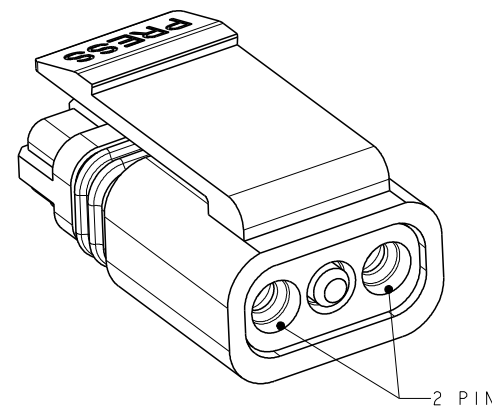
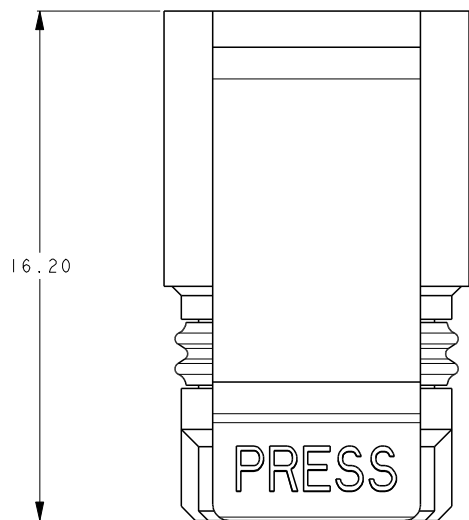
© COPYRIGHT 20

ALL RIGHTS RESERVED.

ES


REVISIONS

P	LTR	DESCRIPTION	DATE	DWN	APVD
		SEE SHEET 1			



- NOTES:
 ▲ MATERIAL:
 HOUSING: THERMOPLASTIC, UL94-V0.
 SEAL: RUBBER.
 2. PART NUMBER: SEE TABLE
 3. PACKAGING: TRAY.
 4. PACKAGING SPEC: 107-137093.

GRAY	2	4-2834074-2
RED	2	3-2834074-2
BLACK	2	2-2834074-2
WHITE	2	1-2834074-2
COLOR	NO OF POSN	PART NUMBER

THIS DRAWING IS A CONTROLLED DOCUMENT.		DWN	15 JULY 2016	 TE Connectivity	
DIMENSIONS:		CHK	15 JULY 2016		
mm		APVD	15 JULY 2016		
TOLERANCES UNLESS OTHERWISE SPECIFIED:		NAME			
± 0.5		PRODUCT SPEC		PLUG	
0-PLC ±		APPLICATION SPEC	108-137093	MINIATURE WATERPROOF CONNECTOR	
1-PLC ±		WEIGHT	114-137093	SIZE	A3
2-PLC ±		CUSTOMER DRAWING		CAGE CODE	00779
3-PLC ±		SCALE 5:1		DRAWING NO	C=2834074
4-PLC ±		SHEET 2 OF 4		RESTRICTED TO	-
ANGLES ±5°		REV C			
MATERIAL	FINISH				

4

3

2

1

THIS DRAWING IS UNPUBLISHED.

RELEASED FOR PUBLICATION

20

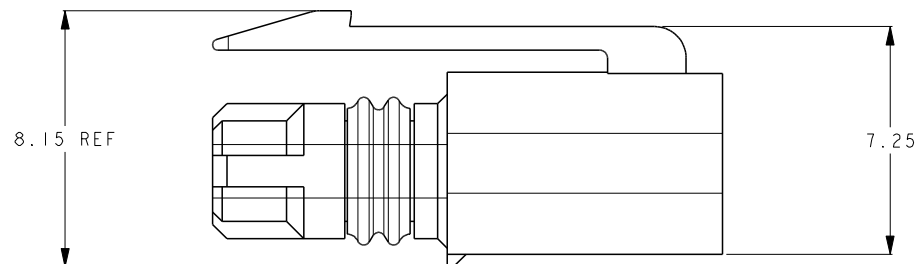
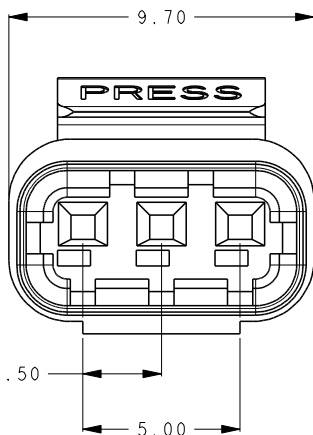
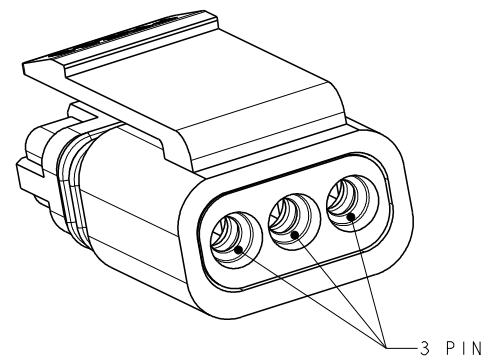
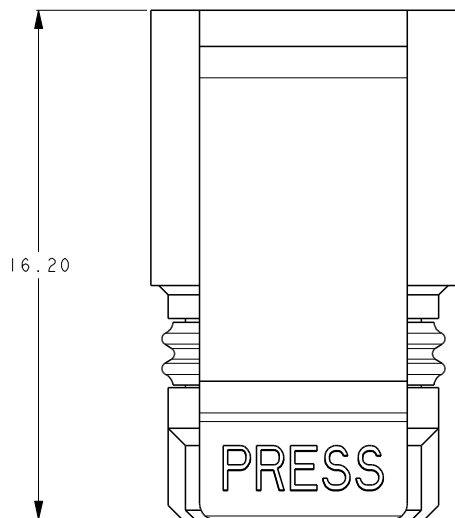
© COPYRIGHT 20

ALL RIGHTS RESERVED.

ES


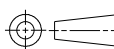
REVISIONS

P	LTR	DESCRIPTION	DATE	DWN	APVD
		SEE SHEET 1			



- NOTES:
- 1. MATERIAL: THERMOPLASTIC, UL94-V0.
 - 2. HOUSING: RUBBER.
 - 3. SEAL: RUBBER.
 - 4. PART NUMBER: SEE TABLE
 - 5. PACKAGING: TRAY.
 - 6. PACKAGING SPEC: 107-137093.

GRAY	3	4-2834074-3
RED	3	3-2834074-3
BLACK	3	2-2834074-3
WHITE	3	1-2834074-3
COLOR	NO OF POSN	PART NUMBER

THIS DRAWING IS A CONTROLLED DOCUMENT.		DWN	15 JULY 2016		 TE Connectivity
		CHK	15 JULY 2016		
		APVD	15 JULY 2016		
		NAME	XU XIANG		
DIMENSIONS:		TOLERANCES UNLESS OTHERWISE SPECIFIED:		NAME	
mm		± 0.5		PLUG	
		0-PLC ±		MINIATURE WATERPROOF CONNECTOR	
		1-PLC ±			
		2-PLC ±			
		3-PLC ±			
		4-PLC ±		APPLICATION SPEC	
		ANGLES ±5°		108-137093	
MATERIAL		FINISH		WEIGHT	
				-	
				CUSTOMER DRAWING	
				SCALE 5:1	
				SHEET 3 OF 4	
				REV C	

THIS DRAWING IS UNPUBLISHED.

RELEASED FOR PUBLICATION

20

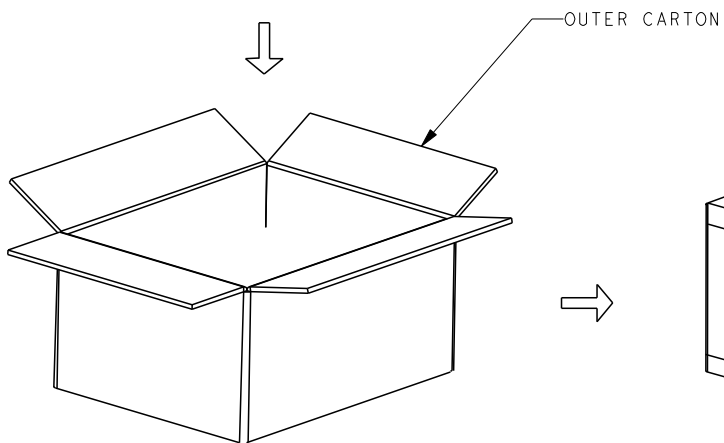
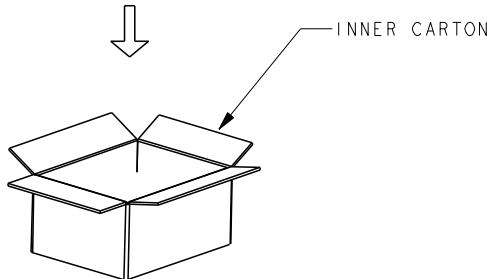
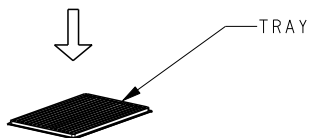
© COPYRIGHT 20

ALL RIGHTS RESERVED.

ES

REVISIONS

P	LTR	DESCRIPTION	DATE	DWN	APVD
		SEE SHEET 1			



- NOTE:
1. PUT PARTS IN THE TRAY.
 2. PUT 4 PACKED TRAYS INTO ONE INNER CARTON. PUT 4 INNER CARTONS INTO ONE OUTER CARTON. TOTAL 16 PACKED TRAYS.
 3. SEAL THE CARTON
 4. PACKAGING QUANTITY: SEE TABLE.
 5. PACKAGING SPEC : 107-137093.

PART NUMBER	PARTS PER TRAY	TRAYS PER INNER CARTON	PARTS PER INNER CARTON	TRAYS PER OUTER CARTON	PARTS PER CARTON
1-2834074-1	360 PCS	4	1440 PCS	16	5760 PCS
2-2834074-1	360 PCS	4	1440 PCS	16	5760 PCS
3-2834074-1	360 PCS	4	1440 PCS	16	5760 PCS
4-2834074-1	360 PCS	4	1440 PCS	16	5760 PCS
1-2834074-2	360 PCS	4	1440 PCS	16	5760 PCS
2-2834074-2	360 PCS	4	1440 PCS	16	5760 PCS
3-2834074-2	360 PCS	4	1440 PCS	16	5760 PCS
4-2834074-2	360 PCS	4	1440 PCS	16	5760 PCS
1-2834074-3	360 PCS	4	1440 PCS	16	5760 PCS
2-2834074-3	360 PCS	4	1440 PCS	16	5760 PCS
3-2834074-3	360 PCS	4	1440 PCS	16	5760 PCS
4-2834074-3	360 PCS	4	1440 PCS	16	5760 PCS

THIS DRAWING IS A CONTROLLED DOCUMENT.

DIMENSIONS: mm	TOLERANCES UNLESS OTHERWISE SPECIFIED: ± 0.5
	0-PLC ±
	1-PLC ±
	2-PLC ±
	3-PLC ±
	4-PLC ±
MATERIAL	FINISH

DWN	15JULY2016	ZHANG WEI
CHK	15JULY2016	SHI MING
APVD	15JULY2016	XU XIANG
PRODUCT SPEC	108-137093	
APPLICATION SPEC	114-137093	
WEIGHT	-	
CUSTOMER DRAWING		

		TE Connectivity	
		PLUG MINIATURE WATERPROOF CONNECTOR	
SIZE	CAGE CODE	DRAWING NO	RESTRICTED TO
A3	00779	©-2834074	-
SCALE 5:1		SHEET 4 OF 4	REV C

1. INTRODUCTION

This specification covers the requirements for application of 2 Pin & 3 Pin Miniature waterproof connectors (Plug & Receptacle).

When corresponding with TE Connectivity Personnel, use the terminology provided in this specification to facilitate your inquiries for information. Basic terms and features of this product are provided in Figure 1.

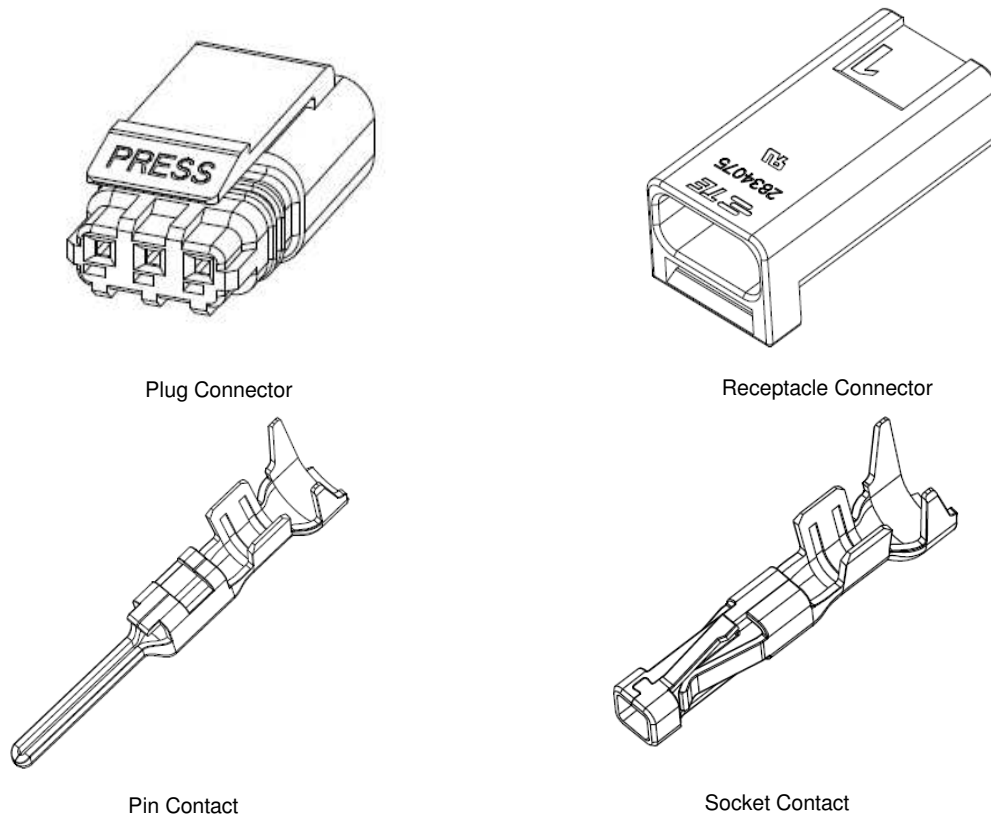


Figure 1

2. REFERENCE MATERIAL

2.1. Revision Summary

Revision C2 – Add pin contact insertion attention steps

2.2. Customer Assistance

Reference Product Base Part Numbers 2834067/2834068/2834074/2834075 are representative of the Miniature waterproof connector. Use of these numbers will identify the product line and expedite your inquiries through a service network established to help you obtain product information. Such information can be obtained through a local TE Connectivity Representative.

2.3. Drawings

Customer Drawings for specific products are available from the responsible TE Connectivity Engineering department via the service network. The information contained in the Customer Drawings takes priority if there is a conflict with this specification or with any other technical documentation supplied by TE Connectivity.

2.4. Instructional Material



Instruction Sheets (408-series) provide product assembly instructions or tooling setup and operation procedures and Customer Manuals (409-series) provide machine setup and operating procedures. Documents available that pertain to this product are:

- 408-3295 Preparing Reel of Contacts for Applicator Tooling
- 408-7424 Checking Terminal Crimp Height or Gaging Die Closure
- 408-10389 Ocean Side-Feed Applicators
- 408-8059 General Preventive Maintenance for Applicators
- 408-8547 CERTI-CRIMP* II Straight Action Hand Tools
- 408-9816 Handling of Reeled Products
- 409-5128 AMP-O-ELECTRIC* Model "K" Terminating Machines 565435-5 (Obsolete)
- 409-5842 AMP-O-ELECTRIC Model "G" Terminating Machines 354500-[]
- 409-5852 AMPOMATOR* CLS III-G Lead-Making Machines 122500-[] (Obsolete)
- 409-5866 AMPOMATOR CLS IV Lead-Making Machines 217500-[]
- 409-5878 AMPOMATOR CLS IV+ Lead-Making Machines 356500-[] (Obsolete)
- 409-10016 Entry Level Terminator (ELT) Machines 1338600-[]
- 409-10027 Stripping Modules 1490500 and 1490502
- 409-10029 Stripping Modules 1490501 and 1490503

2.5. Specifications

Product Specification 108-137093 provides expected product performance and test information.

3. REQUIREMENTS

3.1. Safety:

DO NOT stack product shipping containers so high that the containers buckle or deform.

3.2. Limitations:

The connectors are designed to operate in a temperature range of -40°C to 105°C.

3.3. Material

Contact is made of copper alloy; Housing is made from UL 94V-0 rated thermal plastic.

3.4. Storage

A. Shelf Life

The contacts and connectors should remain in the shipping containers until ready for use to prevent deformation to components. The components should be used on a first in, first out basis to avoid storage contamination that could adversely affect performance.

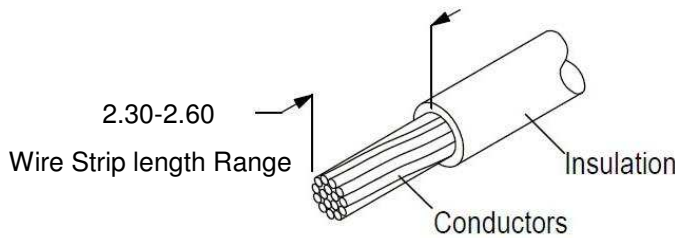
B. Chemical Exposure

DO NOT store the contacts or connectors near any chemical listed below as they may cause stress corrosion cracking in the components.

Alkalies	Ammonia	Citrates	Phosphates	Citrates	Sulfur Compounds
Amines	Carbonates	Nitrites	Sulfur	Nitrites	Tartrates

3.5. Wire Selection and Preparation

The contacts accept stranded wire sizes 22 through 20 AWG (UL Style 1007) and 18AWG (UL style 1061) with an insulation diameter range of 1.6 to 2.0. Proper strip length is necessary to properly insert the wire into the contact. The strip length of the wire is given in Figure 2.



STRANDED WIRE	
SIZE(AWG)	INSULATION DIAMETER RANGE
22-18AWG 17 strand for 22AWG 26 strand for 20AWG 41 strand for 18AWG	1.6-2.0 mm

Figure 2

3.6. Contact Crimp Requirements

NOTE

Lubrication is required when crimping these contacts. It is recommended using Hydraulic Oil 22014 or Stoner Terminal Lubricant E807PT.



CAUTION

Wire insulation must NOT be cut or broken during the crimping operation. Reasonable care should be taken to prepare undamaged wire terminations.



The contact must be crimped to the wire according to instructions packaged with the application tooling.

A. Cutoff Tab and Burr

Cutoff tabs are the remaining portion of the carrier strip after the contact is cut from the strip. The following dimensional requirements will ensure proper application for these contacts. Refer to Figure 3.

- The cutoff tab must not extend beyond the insulation barrel more than the limit given.
- The burr resulting from the cutoff tab shearing must not exceed the dimension given.

B. Locking Lance

The locking lance must be free of damage.

C. Retention Feature

There must be no damage or distortion to the spring members of the receptacle contact or the tab end of the tab contact.

D. Conductor Location

The wire insulation and conductor must be visible within the transition area (between the contact insulation barrel and wire barrel). The insulation must not enter the wire barrel. The wire conductor ends must be flush with or extend slightly beyond the wire barrel to the limit provided in Figure 3.

E. Wire Barrel Crimp

The crimp applied to the wire barrel of the contact is the most compressed area and is most critical in ensuring optimum electrical and mechanical performance of the contact. The wire barrel must have the "F" crimp, where the tips of the wire barrel turn inward and capture the wire strands. The wire barrel crimp height and width must be within the dimensions provided in Figure 3.

F. Insulation Barrel Crimp

The insulation barrel crimp supports the wire insulation. The insulation barrel must be crimped so that the

tips of the insulation barrel wrap around and capture the wire insulation. The insulation barrel crimp width is given in Figure 3.

G. Effective Crimp Length

Effective crimp length is defined as that portion of the wire barrel, excluding bellmouths, fully formed by the application tooling. For optimum crimp effectiveness, the crimp must be within the limits given in Figure 3.

H. Wire Barrel Seam

The seam between the two sides of the wire barrel must be completely closed and there must be no evidence of wire strands or loose wire strands visible in the seam.

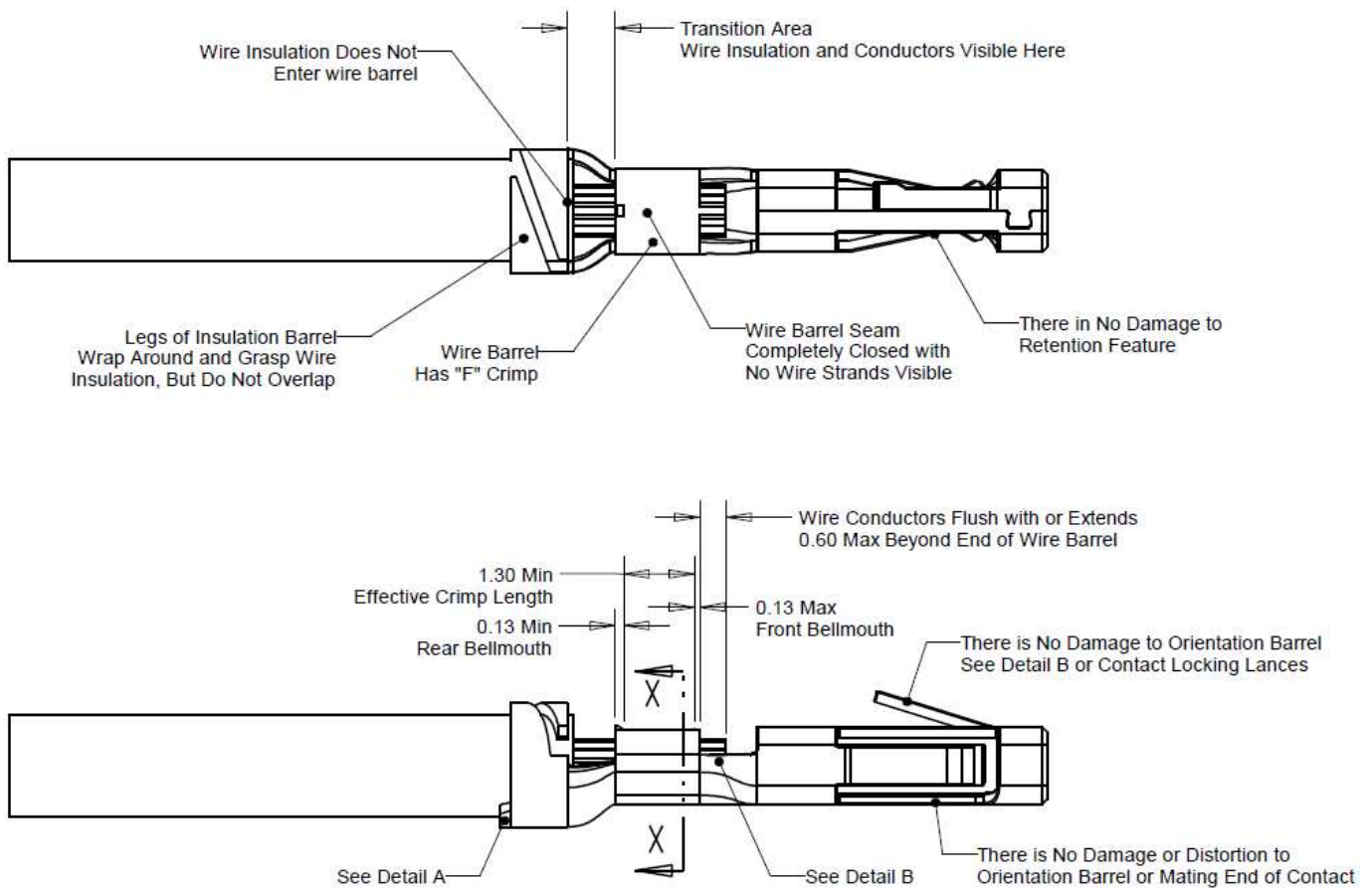
I. Insulation Barrel Seam

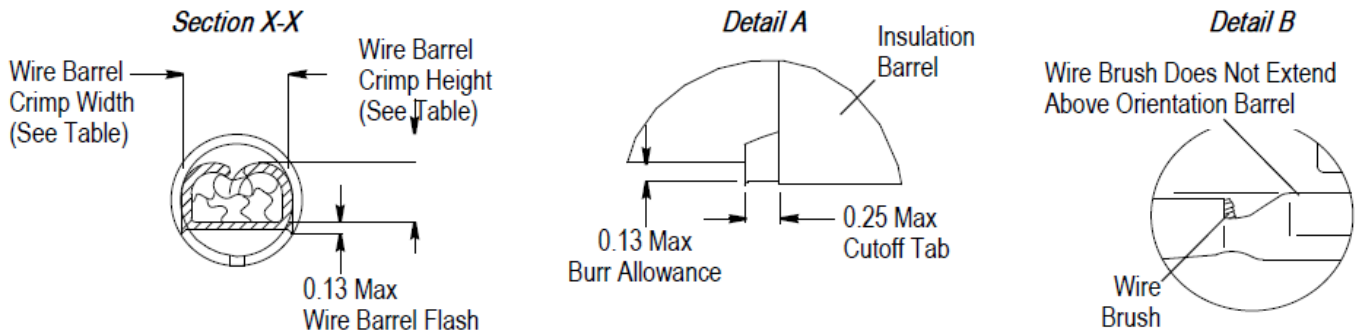
The two legs of the insulation barrel must completely grasp the wire insulation, but not overlap on top of one another.

J. Bellmouths

The front and rear bellmouths caused by extrusion of the contact material during crimping must be within the limits given in Figure 3.

Note: Receptacle contact shown; same requirements apply to the tab contact





Note: The developed crimp configurations result from using the specific tooling described in Section 5, TOOLING.

WIRE SIZE(AWG)	CONTACT			
	WIRE BARREL CRIMP		INSULATION BARREL CRIMP	
	APPLICATOR		APPLICATOR	
	HEIGHT ±0.05	WIDTH (REF)	HEIGHT (REF)	WIDTH (REF)
22	0.76	1.40	1.82	2.03
20	0.87	1.40	2.05	2.03
18	1.05	1.40	2.26	2.03

Figure 3

K. Wire Barrel Flash

Wire barrel flash is the formation that may appear on both sides of the wire barrel as the result of crimping. It must not exceed the dimension provided in Figure 3.

L. Orientation Barrel

There must be no damage or distortion to the orientation barrel of the contact.

M. Straightness

The force applied during crimping may cause some bending between the wire barrel and the mating portion of the contact. Such deformation is acceptable within the following limits given in Figure 4.

- Up-and-Down: The crimped portion, including cutoff tab and burr, must not be bent beyond the limits given.
- Side-to-Side: The crimped portion must not be bent from one side to the other beyond the limits given.

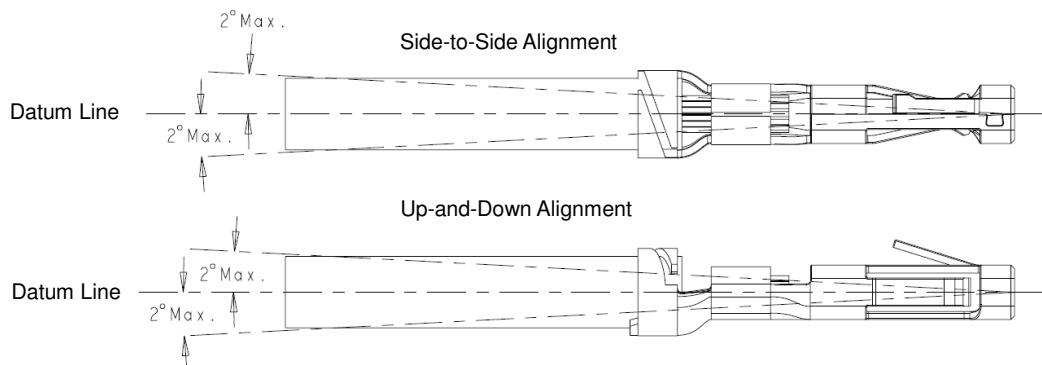


Figure 4

3.7. Contact Insertion

IMPORTANT: The interface seal must not be touched when handling the housing or during contact insertion.

CAUTION



Care must be taken to keep the interface seals clean and protected from damage. The interface seal must not be touched or contact equipment or packaging material, such as cardboard or paper; otherwise, the necessary surface lubricant will wipe off the interface seal. A damaged or dry interface seal will cause the connector to not function properly.

CAUTION



Pin contacts are for use with receptacle housings only. Pin contacts must not be inserted into plug housings. Receptacle contacts are for use with plug housings only. Receptacle contacts must not be inserted into receptacle housings. Contacts should not be extracted from the housing. Extraction may damage the contact, wire seal, or housing.

The contact orientation barrel must be aligned with the contact cavity orientation feature located at the back (mating face) of the plug housing or receptacle housing. The contact should be properly oriented before attempting to insert it into the contact cavity of the housing. In order to prevent damage to the wire seal, the contact must be inserted slowly and straight (not turned) as it passes through the seal and into the housing. When the contact is fully inserted, the contact locking lances will engage the housing contact retention shoulder. After insertion, the wire should be pulled back lightly to ensure that the contact is fully seated. Refer to Figure 5.

NOTE

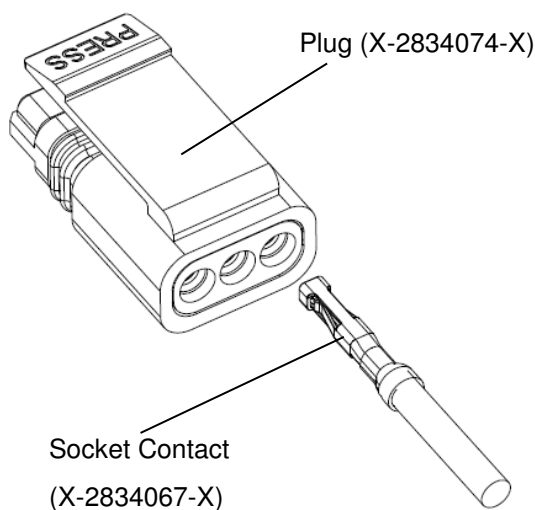


NOTE

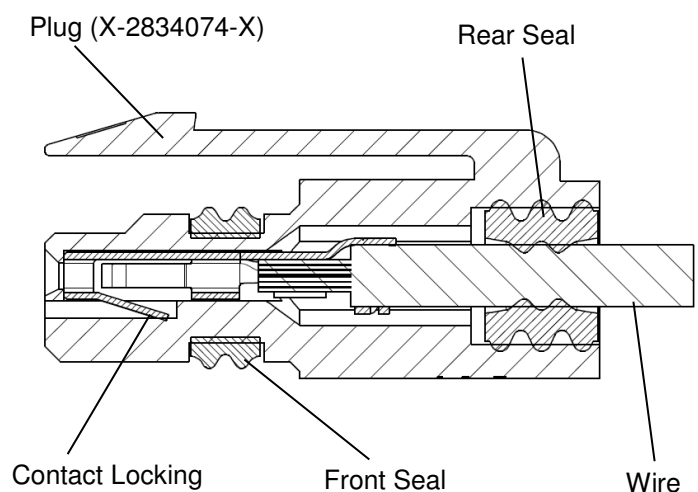
An insertion tool is not required to insert contacts into the plug housing or receptacle housing.

Turn off power before installing the contacts. After fully insertion, the crimping contact side with cable is for ONE TIME USE ONLY, DO NOT REMOVE AND REPLACE CRIMP WIRES.

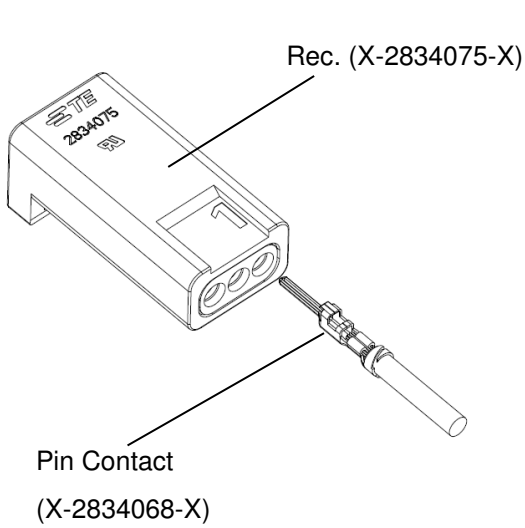
Aligning Socket Contact with Receptacle Housing



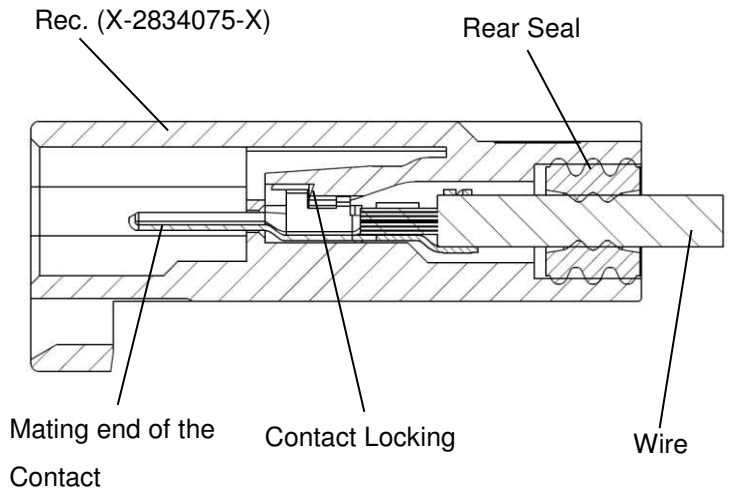
Aligning Socket Contact with Receptacle Housing



Socket Contact Fully Inserted into Plug Housing

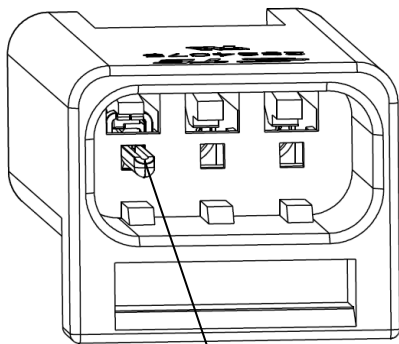


Aligning Pin Contact with Receptacle Housing



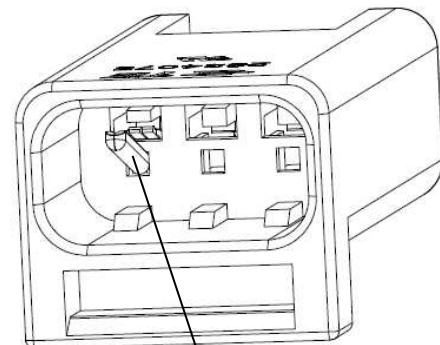
Pin Contact Fully Inserted into Plug Housing

Correct Installation of Pin contact



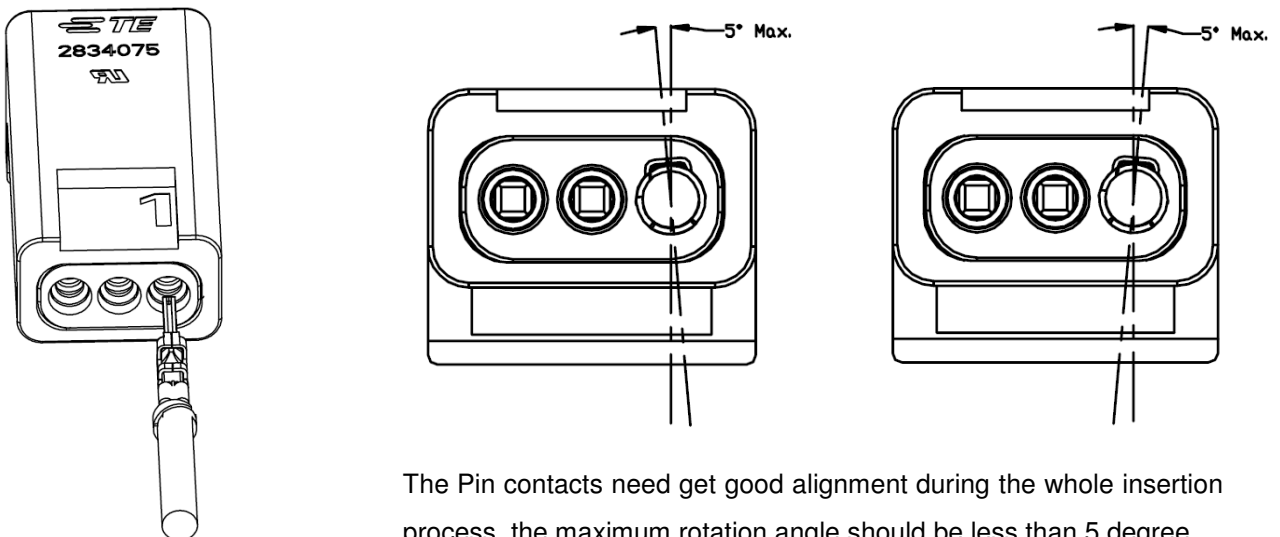
Mating End of Tab Contact Through Lower Opening

Damaged Pin contact



Make sure pins are straight and not bent

Figure 5



The Pin contacts need get good alignment during the whole insertion process, the maximum rotation angle should be less than 5 degree.

Figure 6

3.8. Mating Connectors

The plug has an integral locking latch that should be fully seated and latched to the receptacle locking ledge after mating. The locking latch and locking ledge ensure positive mating of connectors and **DO NOT ALLOW REVERSE MATING (UPSIDE DOWN)**. First align the polarized mating faces of the housings. Grasp the housings and push to mate with each other. **DO NOT** force the housings to mate. When fully mated, the housings must appear bottomed with each other and flush at the point of engagement. See Figure 6.

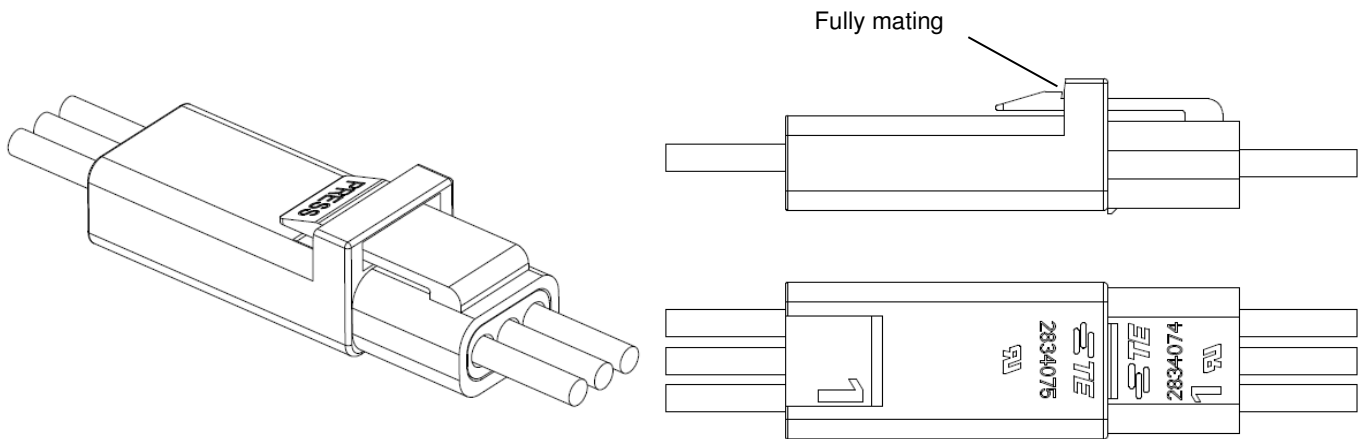


Figure 7

3.9. Connector Unmating

To reduce risk of electrical shock, **DISCONNECT** the electrical supply before unmating the connectors.

To unmate the connectors, pushing the plug latch, grasp the connector at each end and pull apart the mated connectors. **DO NOT** pull on the wires when unmating the connectors. See Figure 7.

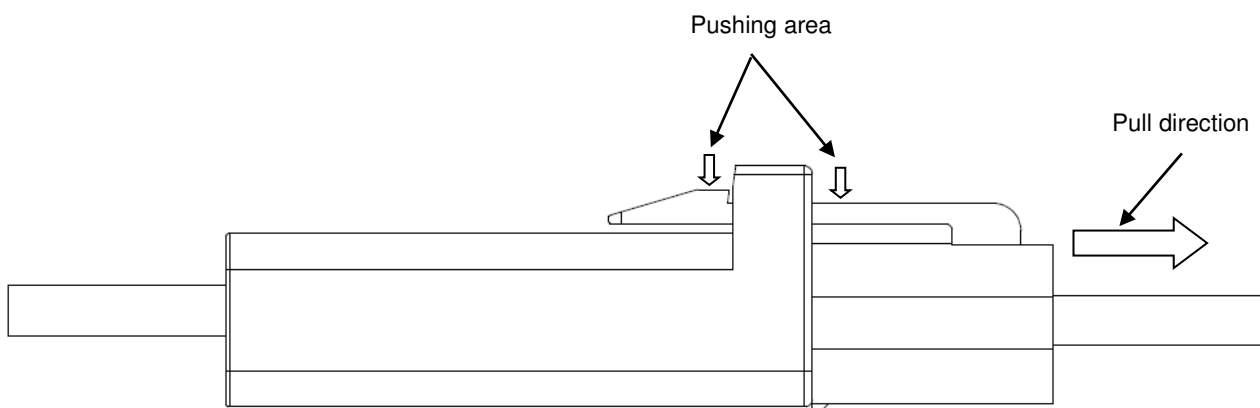


Figure 8

3.10. Replacement/Repair

The contacts and housings are not repairable. **DO NOT** use damaged or defective contacts or housings. **DO NOT** remove the wire and re-terminate contacts.

4. QUALIFICATION

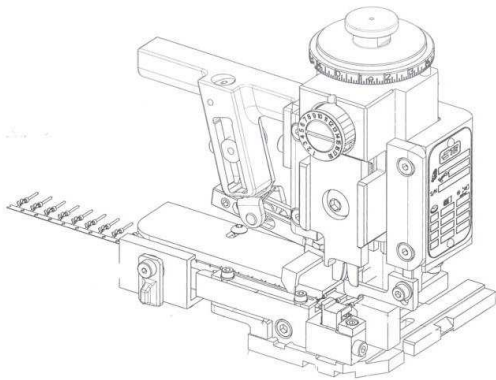
Connectors are Component Recognized by Underwriters Laboratories, Inc.
UL1977 Approval: E28476.

5. TOOLING

Tooling part numbers and instructional material packaged with the tooling are given in Figure 8.

5.1. Applicator and Hand tool

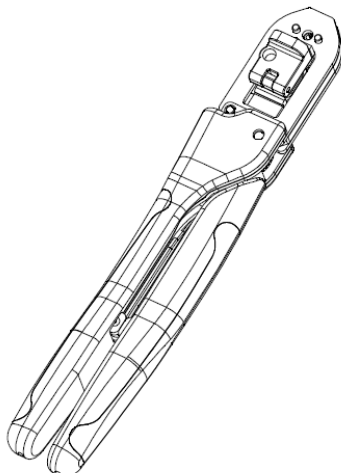
The applicators are designed to crimp strip-form contacts onto pre-stripped wire, and provide for high volume, heavy duty production requirements. These applicators can accept interchangeable crimping dies. The Hand tool are designed to crimp loose piece contacts for low volume requirements. See Figure 8.



WIRE SIZE(AWG)	APPLICATOR PN
22-18	*-2836413-*

*-- Refer to Applicator Customer Drawing for applicable dash number.

Applicator



WIRE SIZE(AWG)	HAND TOOL PN
22-18	2305567-*

*-- Refer to Hand tool Customer Drawing for applicable dash number.

Hand tool

Figure 9

6. VISUAL AID

The illustration below shows a typical application of Miniature waterproof connectors and contacts. This illustration should be used by production personnel to ensure a correctly applied product. Applications which DO NOT appear correct should be inspected using the information in the preceding pages of this specification and in the instructional material shipped with the product or tooling.

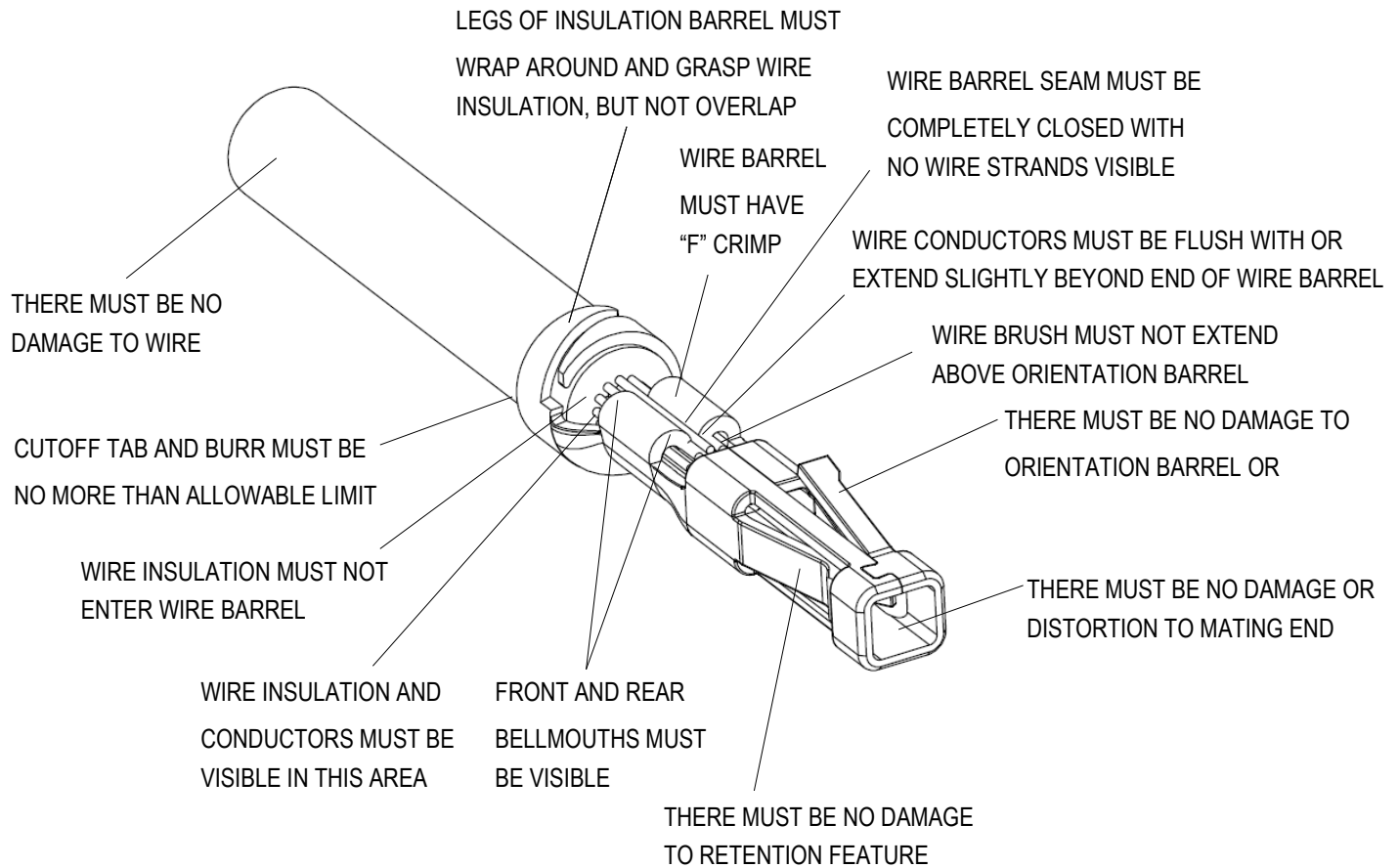


Figure 10

After mating for the application, please make sure keep at least 5mm straight line before bending the wires. Please review the following picture for detail (Figure 11).

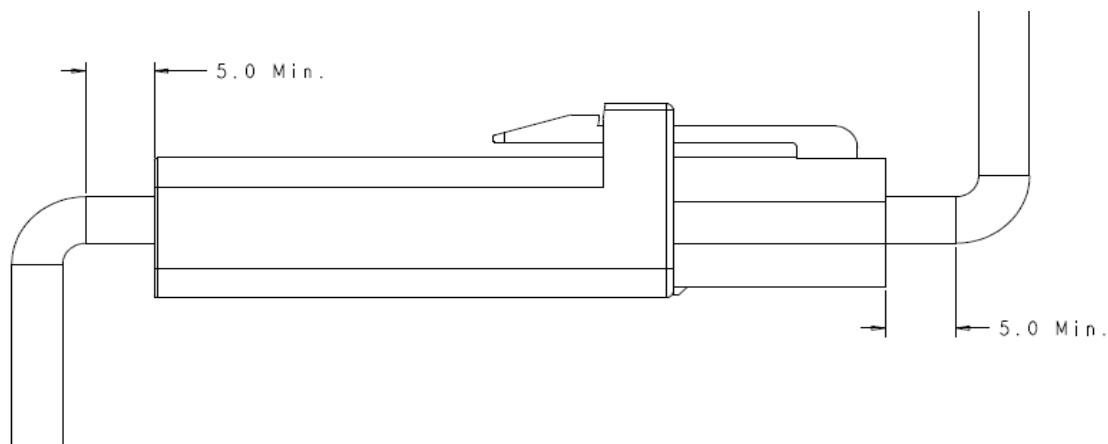


Figure 11