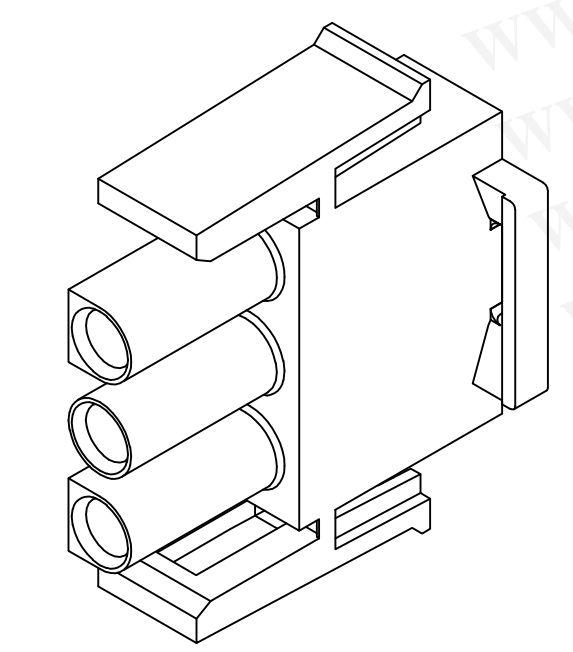
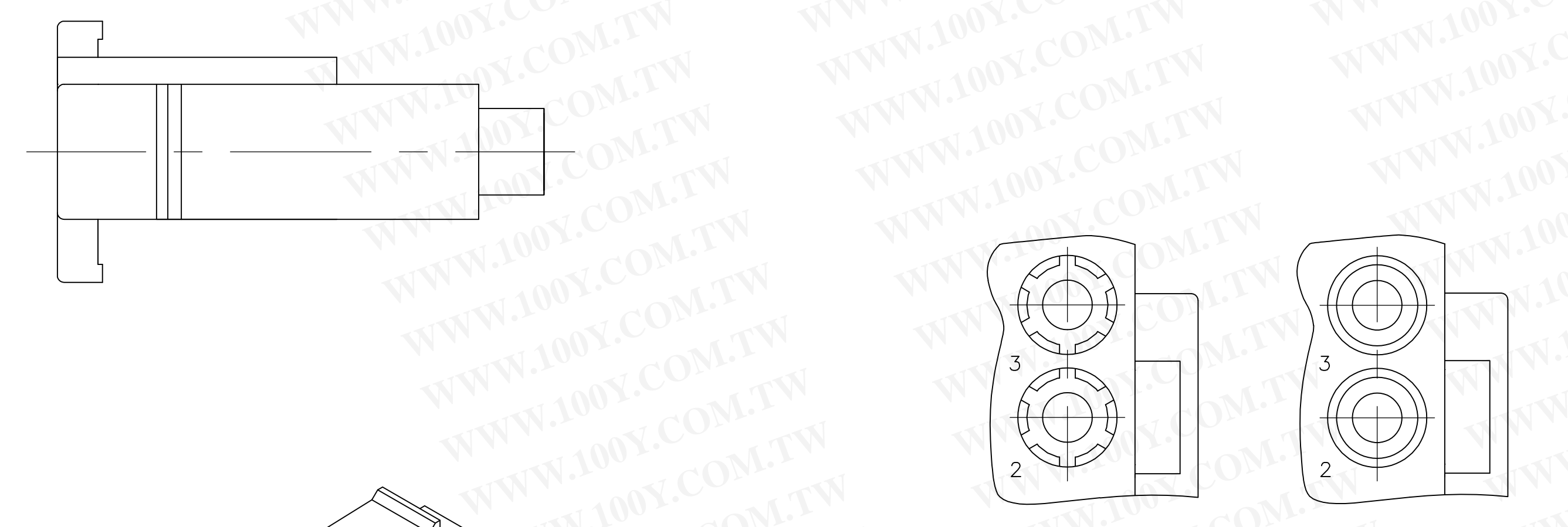


- MATES WITH APPROPRIATE UNIVERSAL MATE-N-LOK™ CAP OR HEADER.
- SMALL NICKS ARE PERMITTED ON THE CIRCUIT TOWERS WHICH COULD INCREASE THE INITIAL HOUSING MATING FORCE BY UP TO 4.4 NEWTONS [1.0 LBS]. NO INDIVIDUAL NICKED TOWER SHALL INCREASE THIS FORCE BY OVER 2.2 NEWTONS [.5 LBS].
- DIMENSION INDICATED IS AS MOLDED. ADDITIONAL GROWTH DUE TO SUBSEQUENT MOISTURE ABSORPTION MAY OCCUR.
- FOUR RIBS EQUALLY SPACED, NO SPECIFIC ORIENTATION. NO RIBS OR SIX RIBS EQUALLY SPACED, NO SPECIFIC ORIENTATION, OPTIONAL.
- UNDERWRITERS RECOGNIZED COMPONENT LOGO AND CSA CERTIFICATION LOGO TO BE LOCATED ONCE EACH ON SIDE OF HOUSING.

勝特力材料 886-3-5753170
勝特力电子(上海) 86-21-34970699
勝特力电子(深圳) 86-755-83298787
[Http://www.100y.com.tw](http://www.100y.com.tw)



27.43	1.080
20.32	.800
14.73	.580
11.68	.460
7.62	.300
0.38	.015
0.13	.005
MM	IN

CONVERSION TABLE

BLACK	1-480700-9
GREY	1-480700-8
BLUE	1-480700-6
GREEN	1-480700-5
YELLOW	1-480700-4
ORANGE	1-480700-3
RED	1-480700-2
BROWN	1-480700-1
NATURAL	1-480700-0
COLOR	PART NUMBER

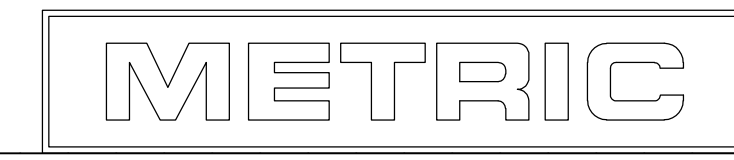
THIS DRAWING IS A CONTROLLED DOCUMENT.

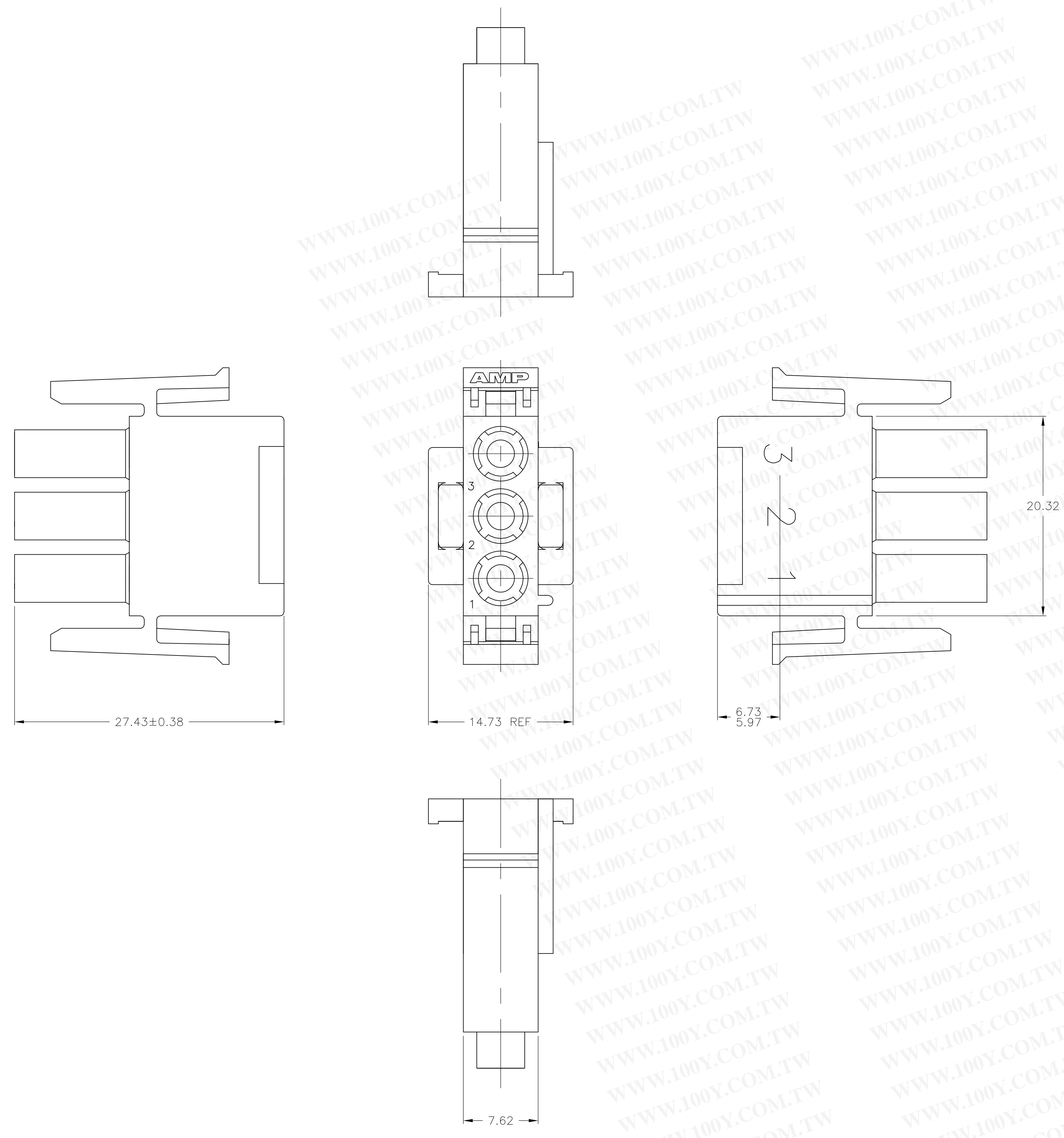
DIMENSIONS:	TOLERANCES UNLESS OTHERWISE SPECIFIED:	DIN R VESTAL 18JAN95	NAME
mm	0.13 ± -	CHK R SWING 18JAN95	PLUG, 3 CIRCUIT, UNIVERSAL MATE-N-LOK(TM)
	0.38 ± -	APP'D D SELF 18JAN95	PRODUCT SPEC
	0.13 ± 0.13	APPLICATION SPEC	SIZE
	ANGLES ± 0° 30'	WEIGHT	SCALE
MATERIAL NYLON, UL 94V-2	FINISH	CUSTOMER DRAWING	RESTRICTED TO

STE TE Connectivity

SIZE: A1 00779 480700

SCALE: 4:1 SHEET 1 OF 2 REV AR1





1. STAMP NUMBERS 3.18 HIGH AT WIRE END OF HOUSING (12 POINT DAVID TYPE).
2. CHARACTERS TO BE POSITIONED ON HOUSING TO BE READ FROM WIRE END ONLY.
3. VIOLET, BLACK, BROWN AND BLUE COLORED BLOCKS TO BE STAMPED WITH WHITE CHARACTERS. ALL OTHER COLORED BLOCKS TO BE STAMPED WITH BLACK CHARACTERS.

勝特力材料 886-3-5753170
勝特力电子(上海) 86-21-34970699
勝特力电子(深圳) 86-755-83298787
[Http://www.100y.com.tw](http://www.100y.com.tw)

6.73	.265	-	-
5.97	.235	27.43	1.080
3.18	.125	20.32	.800
0.38	.015	14.73	.580
0.13	.005	7.62	.300
MM	IN	MM	IN

CONVERSION TABLE

NATURAL	2-480700-0
COLOR	PART NUMBER

THIS DRAWING IS A CONTROLLED DOCUMENT.		DWN	R. VESTAL	18JAN95
DIMENSIONS:		CHK	R. SWING	18JAN95
mm	TOLERANCES UNLESS OTHERWISE SPECIFIED:	APVD	D. SELF	18JAN95
	0 PLG ± -	NAME		
	1 PLG ± -	PLUG,		
	2 PLG ± 0.13	3 CIRCUIT,		
	3 PLG ± -	UNIVERSAL MATE-N-LOK(TM)		
	4 PLG ± -	SIZE	CAGE CODE	DRAWING NO
	ANGLES ± 0° 30'	A1	00779	480700
MATERIAL	NYLON, UL 94V-2	FINISH	-	RESTRICTED TO
CUSTOMER DRAWING		SCALE	4:1	SHEET 2 OF 2
		REV	AR1	

