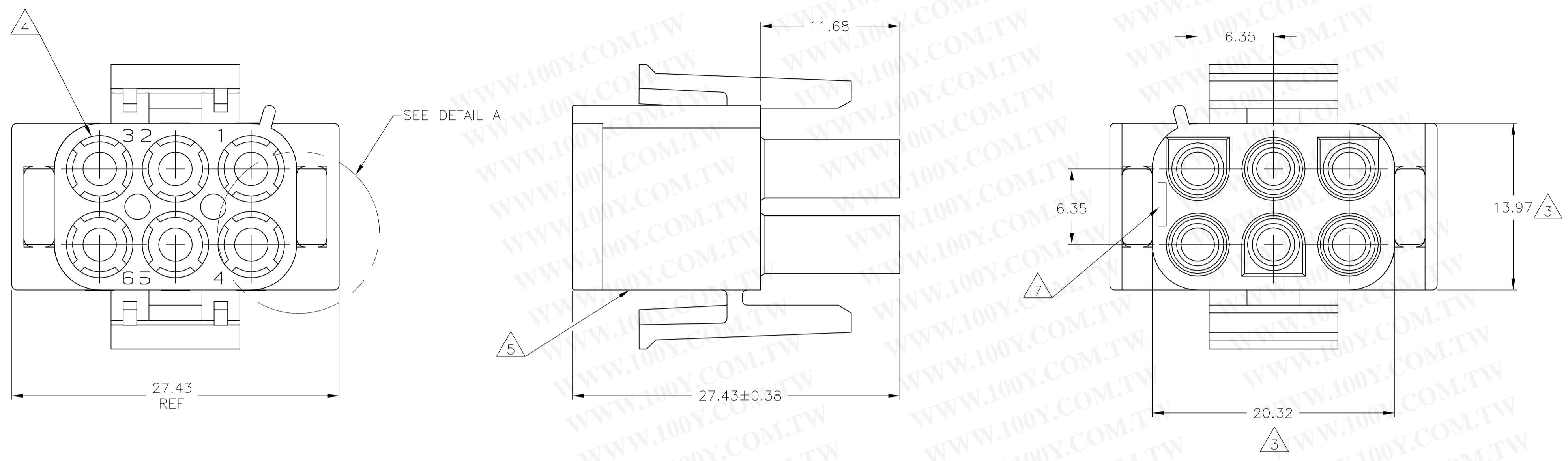
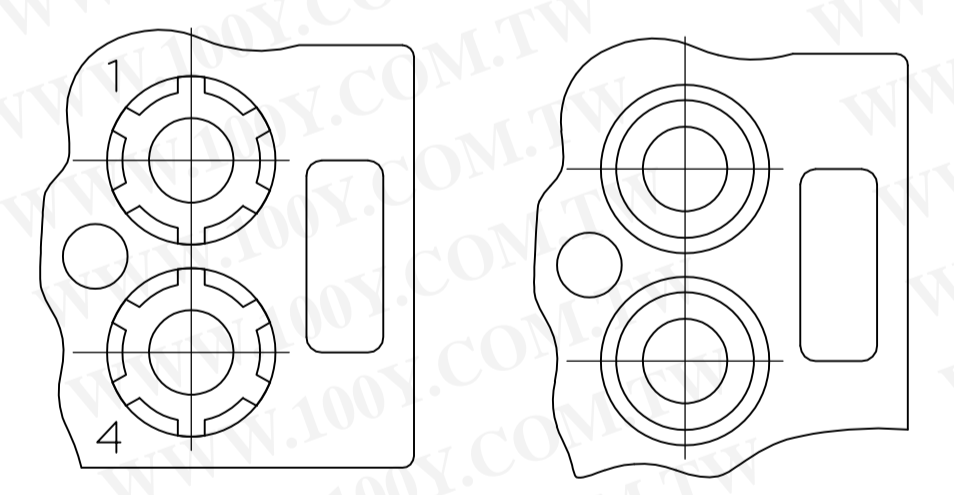
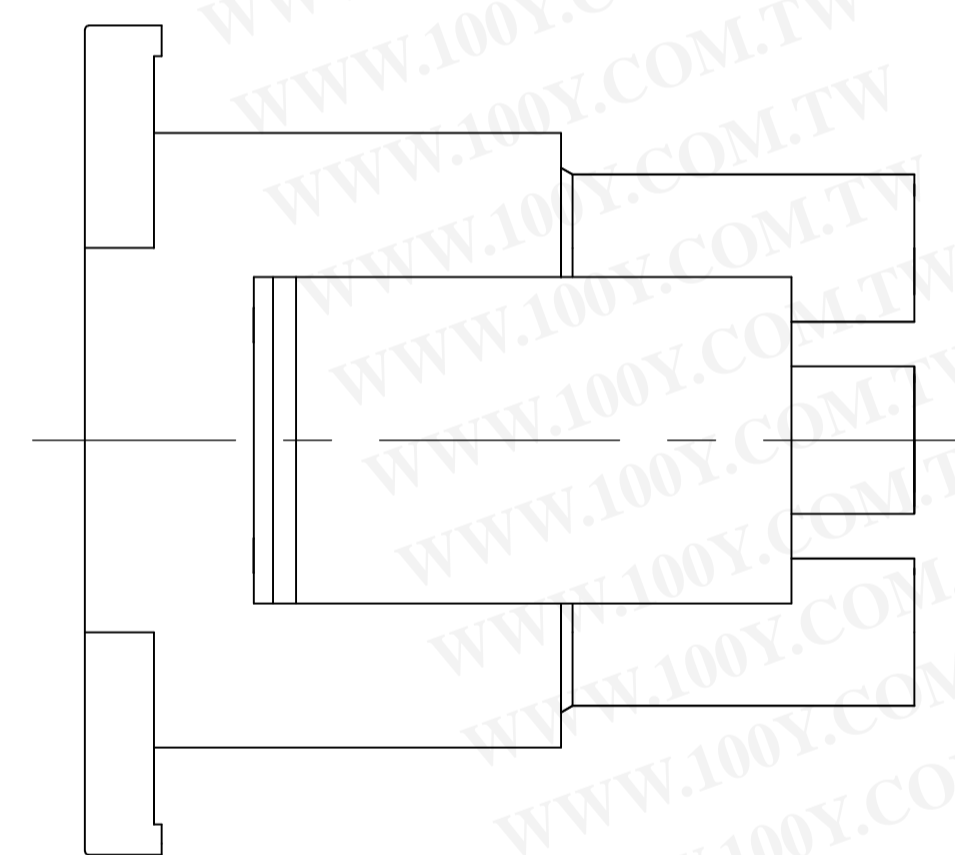


LOC		DIST		REVISIONS			
CM	00	REV	DATE	BY	CHK	APPV	
AP3	REVISED PER ECR-11-020221		10OCT11	KH		TM	



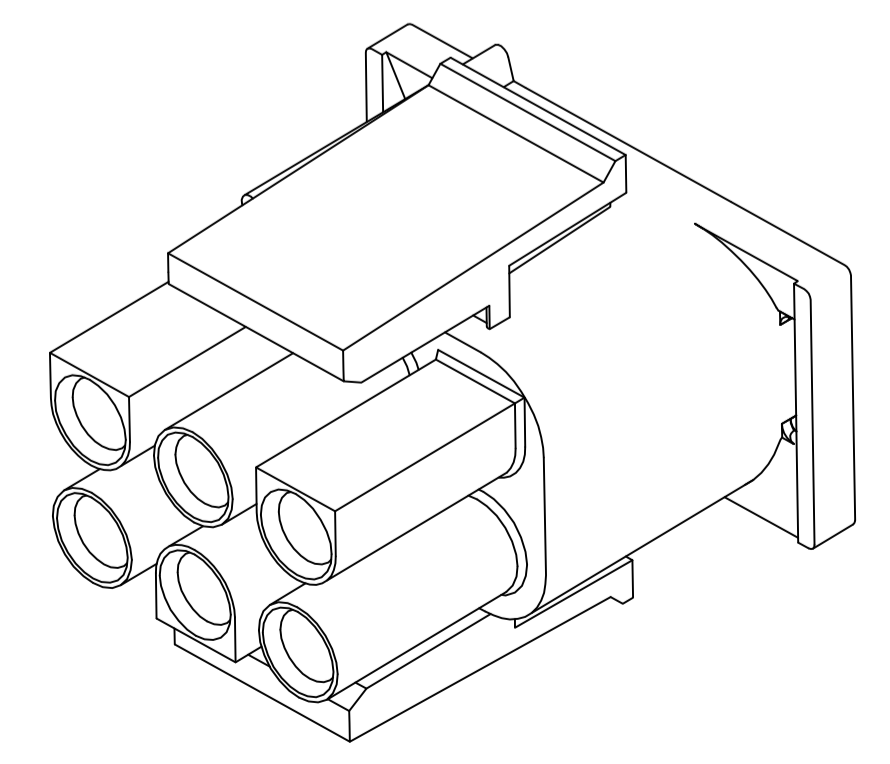
- MATES WITH APPROPRIATE UNIVERSAL MATE-N-LOK™ CAP OR HEADER.
- SMALL NICKS ARE PERMITTED ON THE CIRCUIT TOWERS WHICH COULD INCREASE THE INITIAL HOUSING MATING FORCE BY UP TO 4.4 NEWTONS [1.0 LBS]. NO INDIVIDUAL NICKED TOWER SHALL INCREASE THIS FORCE BY OVER 2.2 NEWTONS [.5 LBS].
- DIMENSION INDICATED IS AS MOLDED. ADDITIONAL GROWTH DUE TO SUBSEQUENT MOISTURE ABSORPTION MAY OCCUR.
- FOUR RIBS EQUALLY SPACED, NO SPECIFIC ORIENTATION. NO RIBS OR SIX RIBS EQUALLY SPACED, NO SPECIFIC ORIENTATION, OPTIONAL.
- UNDERWRITERS RECOGNIZED COMPONENT LOGO AND CSA CERTIFICATION LOGO TO BE LOCATED ONCE EACH ON SIDE OF HOUSING.
- MANUFACTURING LOCATION ID ON SIDE OF HOUSING (OPTIONAL).
- TRADEMARK LOCATION (AMP OR TE CONNECTIVITY).
- OBSOLETE PARTS: OBSOLETE CIS STREAMLINING PER D.RENAUD/D.SINISI

**勝特力材料 886-3-5753170**  
**勝特力电子(上海) 86-21-34970699**  
**勝特力电子(深圳) 86-755-83298787**  
[Http://www.100y.com.tw](http://www.100y.com.tw)



MM	IN
27.43	1.080
20.32	.800
13.97	.550
11.68	.460
0.38	.015
0.13	.005

CONVERSION TABLE



OBsolete	Color	Part Number
OBsolete	BLACK	1-480704-9
OBsolete	GRAY	-1-480704-8
OBsolete	BLUE	-1-480704-6
OBsolete	GREEN	-1-480704-5
OBsolete	YELLOW	1-480704-4
OBsolete	ORANGE	-1-480704-3
	RED	1-480704-2
	BROWN	1-480704-1
	NATURAL	1-480704-0
	COLOR	PART NUMBER

THIS DRAWING IS A CONTROLLED DOCUMENT.

DIN K. WHITAKER 23MAR05  
CHK S. RIDGILL 23MAR05  
APPV S. RIDGILL 23MAR05

NAME: PLUG, 6 CIRCUIT, UNIVERSAL MATE-N-LOK(TM)

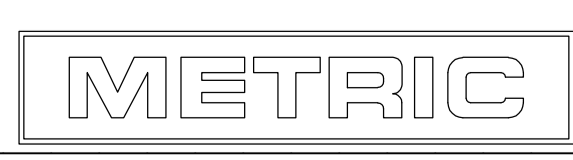
SIZE: A1  
SCALE: 4:1  
SHEET: 1 OF 2  
REV: AP3

MATERIAL: NYLON,UL 94V-2  
FINISH: -

WEIGHT: -

CUSTOMER DRAWING

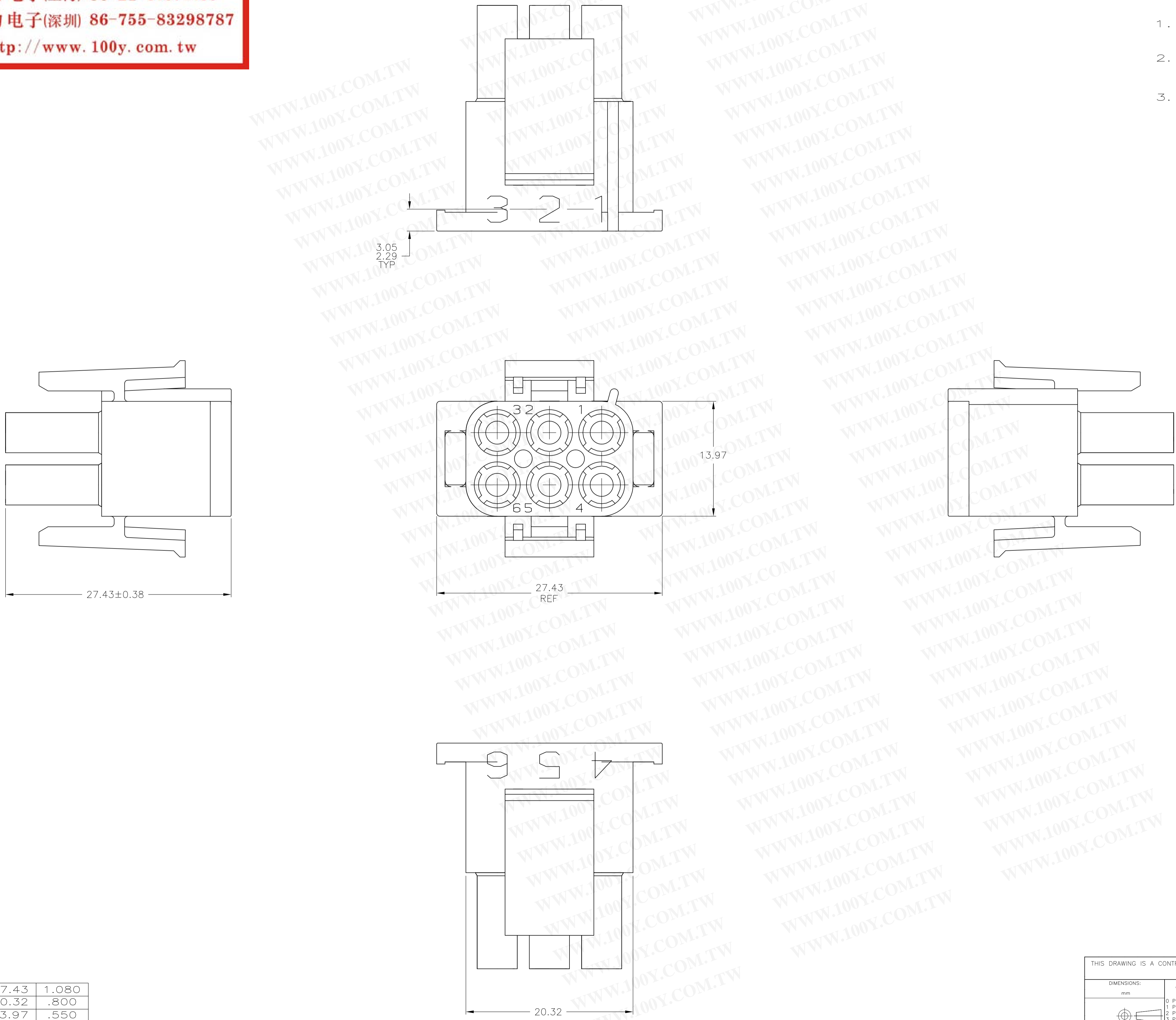
RESTRICTED TO: -





勝特力材料 886-3-5753170  
 勝特力电子(上海) 86-21-34970699  
 勝特力电子(深圳) 86-755-83298787  
 Http://www.100y.com.tw

1. STAMP NUMBERS 3.18 HIGH AT WIRE END OF HOUSING (12 POINT DAVID TYPE).
2. CHARACTERS TO BE POSITIONED ON HOUSING TO BE READ FROM WIRE END ONLY.
3. VIOLET,BLACK,BROWN,AND BLUE COLORED BLOCKS TO BE STAMPED WITH WHITE CHARACTERS. ALL OTHER COLORED BLOCKS TO BE STAMPED WITH BLACK CHARACTERS.



3.05	.120	27.43	1.080
2.29	.090	20.32	.800
0.38	.015	13.97	.550
0.13	.005	3.18	.125
MM	IN	MM	IN

CONVERSION TABLE

METRIC

THIS DRAWING IS A CONTROLLED DOCUMENT.		DWG: K. WHITAKER 23MAR05	NATURAL COLOR		2-480704-0 PART NUMBER
DIMENSIONS: mm		CHK: S. RIDGILL 23MAR05	TE Connectivity		
TOLERANCES UNLESS OTHERWISE SPECIFIED:		APP'D: S. RIDGILL 23MAR05	PLUG, 6 CIRCUIT, UNIVERSAL MATE-N-LOK(TM)		
0. PLC	± -	NAME	-		
1. PLC	± -	PRODUCT SPEC	-		
2. PLC	± 0.13	APPLICATION SPEC	-		
3. PLC	± -	SIZE	A1		
4. PLC	± -	SCALE	4:1		
ANGLES	± 0°30'	WEIGHT	-		
MATERIAL	-	FINISH	-		
CUSTOMER DRAWING		DRAWING NO: 00779	C=480704		RESTRICTED TO: -
SCALE: 4:1		SHEET: 2 OF 2	REV: AP3		