

IMC Industrial Micro Connector

Being constructed from Ultem®, a high temperature and corrosion resistant composite material, makes the IMC suitable for applications where heat, dust, moisture, industrial oils and chemical are prevalent.

The IMC series of composite connectors are chemical resistant and environmentally sealed to IP67.

They are ideal for applications where space is at a premium, meeting the requirements of manufacturers of test equipment, industrial sensors, medical diagnostic equipment, instrumentation and process control systems.



FEATURES

- UL approved
- Bayonet (type) lock coupling mechanism
- Constructed from Ultem®, temperature resistant composite material
- Meets UL94 Class V-0 flammability requirements
- Sealed against dust and moisture to IP67
- Available in 2 shell size and 7 contact configurations
- Gold plated contacts with PCB options
- Operating temperature -55°C to +175°C

BENEFITS

- Positive location
- Compact design provides significant space saving
- Variety of options for maximum design-in flexibility
- Cost effective
- Can be washed, sterilised and autoclaved without performance degradation
- Withstands heat, dust and moisture

勝特力材料 886-3-5753170
勝特力电子(上海) 86-21-34970699
勝特力电子(深圳) 86-755-83298787
[Http://www.100y.com.tw](http://www.100y.com.tw)

GENERAL SPECIFICATION

Materials

Shell / Insulators: Temperature and corrosion resistant composite, Ultem®
Contacts: Copper Alloy / Gold Plated

Back Fitting Options:

Cable Adaptor
Overmould
Pro caps
Can be used with Conduit, Heat Shrink Tube/Boots

Contact Rating

Current Rating 100 series: 2 Way 7.5 Amps
3 Way 7.5 Amps
4 Way 5 Amps

Current Rating 200 series: 2 Way 13 Amps
7 Way 7.5 Amps
12 Way 5 Amps

Voltage: up to 1000 Vac (rms)

Insulation resistance: 1000 MΩ

Temperature Rating [connector]

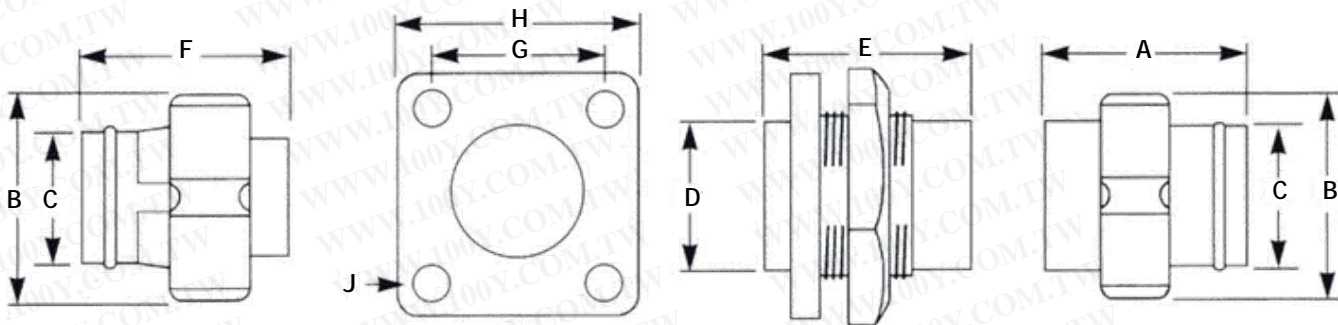
-55°C to 175°C (The upper limit is the maximum internal Hot spot temperature resulting from the combination of ambient temperature and heating due to current)



DEUTSCH

Dimensions (mm)

Series	A	B	C	D	E	F	G	H	J
100	19.00	15.25	8.60	9.10	19.00	19.00	12.70	17.80	3.00
200	19.00	19.00	12.70	13.20	19.00	19.00	18.20	23.80	3.20



Inline Plugs

Description	Part No.
100 series 2 way #20	IMC16-2002X
100 series 3 way #20	IMC16-2003X
100 series 4 way #22	IMC16-2204X
200 series 2 way #16	IMC26-1602X
200 series 5 way #20	IMC26-2005X
200 series 7 way #20	IMC26-2007X
200 series 12 way #22	IMC26-2212X

Universal Flange Receptacle

Description	Part No.
100 series 2 way #20	1MC14-2002X
100 series 3 way #20	IMC14-2003X
100 series 4 way #22	IMC14-2204X
200 series 2 way #16	IMC24-1602X
200 series 5 way #20	IMC24-2005X
200 series 7 way #20	IMC24-2007X
200 series 12 way #22	IMC24-2212X

Inline Receptacle

Description	Part No.
100 series 2 way #20	1MC11-2002X
100 series 3 way #20	IMC11-2003X
100 series 4 way #22	IMC11-2204X
200 series 2 way #16	IMC21-1602X
200 series 5 way #20	IMC21-2005X
200 series 7 way #20	IMC21-2007X
200 series 12 way #22	IMC21-2212X

Contacts Solid

Description	Part No.
contacts #16 pins	6860-201-16278
contacts #20 pins	6860-201-20278
contacts #22 pins	6860-201-22278
contacts #16 sockets	6862-201-16278
contacts #20 sockets	6862-201-20278
contacts #22 sockets	6862-201-22278
contacts #16 PCB pins	6860-202-16278
contacts #20 PCB pins	6860-202-20278
contacts #22 PCB pins	6860-202-22278

Contacts - Stamped and Formed

Description	Part No.
#20 Pin 24-28 AWG Reel 10K	6860-101-2013
#20 Skt 24-28 AWG Reel 10K	6862-101-2013
#20 Pin 20-24 AWG Reel 10K	6860-101-2023
#20 Skt 20-24 AWG Reel 10K	6862-101-2023

Stamped and formed contacts rated for 3 Amps - fully populated plan form
(5 Amps for two conductor applications)

Smaller pack quantities available upon request

Contact Insert/Extract Tools

Description	Part No.
insert/extraction tool #16	6757-201-1601
insert/extraction tool #20	6757-201-2001
insert/extraction tool #22	6757-201-2201

Dust Caps

Description	Part No.
100 series pro-cap plug	IMC18
100 series pro-cap receptacle	IMC19
200 series pro-cap plug	IMC28
200 series pro-cap receptacle	IMC29

Adaptors

Description	Part No.
100 series adaptor	IMC1AD
200 series adaptor	IMC2AD

PVC Boots

Description	Part No.
100 series 5.08mm	6810-204-1001-1-200
200 series 2.67mm	6810-201-2001-1-105
200 series 3.17mm	6810-201-2001-1-125
200 series 3.05mm	6810-201-2001-1-120
200 series 3.56mm	6810-201-2001-1-140
200 series 6.35mm	6810-201-2001-1-250
200 series 4.19mm	6810-201-2001-1-165

Santoprene options are available

勝特力材料 886-3-5753170
 勝特力电子(上海) 86-21-34970699
 勝特力电子(深圳) 86-755-83298787
[Http://www.100y.com.tw](http://www.100y.com.tw)

A step ahead in technology

Castleham Industrial Estate
 2 Stanier Road, St Leonards on Sea
 East Sussex TN38 9RP
 England

Telephone: +44 (0) 1424 852722

Fax: +44 (0) 1424 855979

Email: industrialuk@deutsch.net

www.deutschuk.com

Subject to change without prior notification



DEUTSCH

