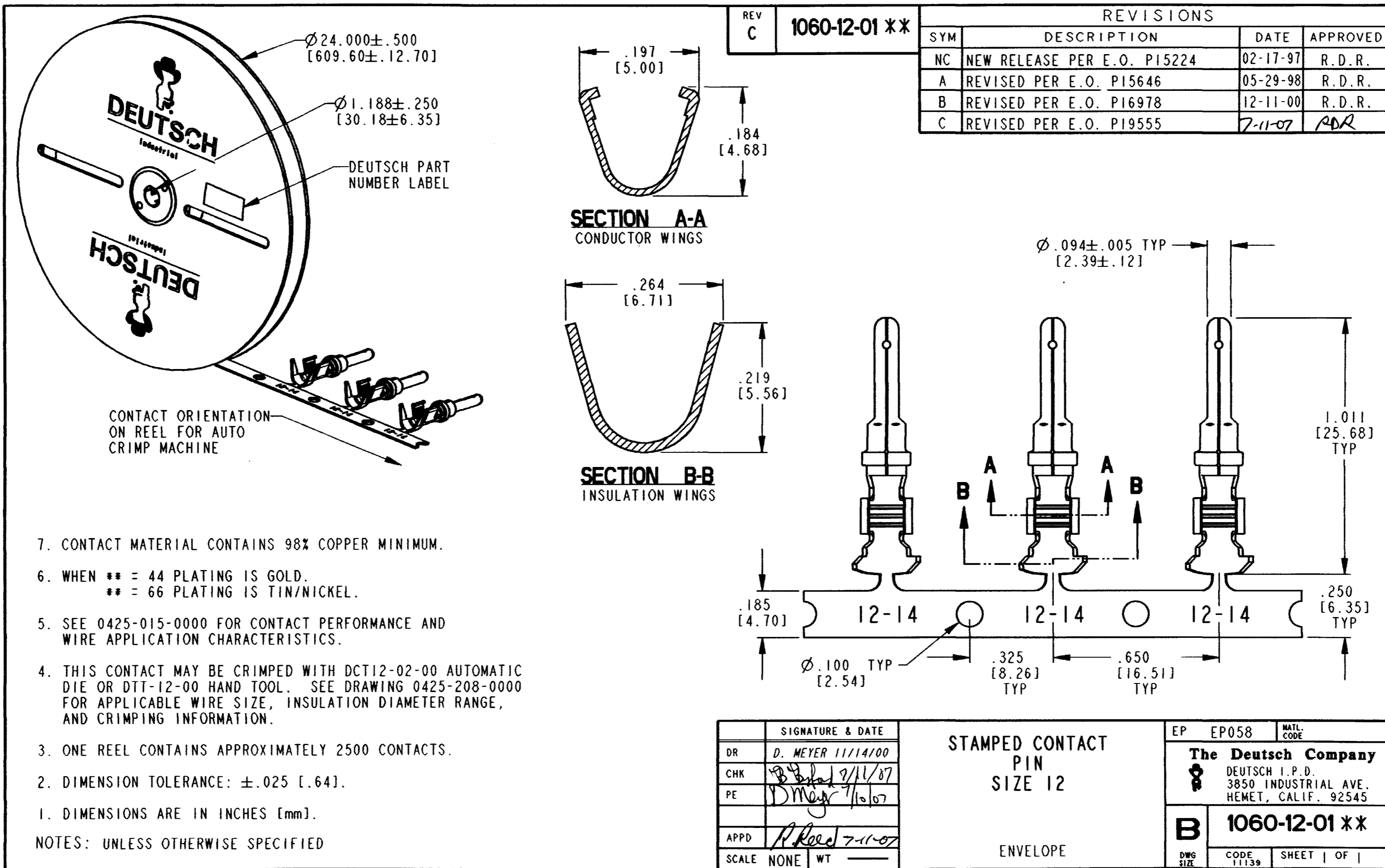


勝特力電材超市-龍山店 886-3-5773766  
 勝特力電材超市-光復店 886-3-5729570  
 勝特力電子(上海) 86-21-34970699  
 勝特力電子(深圳) 86-755-83298787  
<http://www.100y.com.tw>



REV C		1060-12-01 **		REVISIONS	
SYM	DESCRIPTION	DATE	APPROVED		
NC	NEW RELEASE PER E.O. P15224	02-17-97	R.D.R.		
A	REVISED PER E.O. P15646	05-29-98	R.D.R.		
B	REVISED PER E.O. P16978	12-11-00	R.D.R.		
C	REVISED PER E.O. P19555	7-11-07	RDR		

7. CONTACT MATERIAL CONTAINS 98% COPPER MINIMUM.
  6. WHEN \*\* = 44 PLATING IS GOLD.  
 \*\* = 66 PLATING IS TIN/NICKEL.
  5. SEE 0425-015-0000 FOR CONTACT PERFORMANCE AND WIRE APPLICATION CHARACTERISTICS.
  4. THIS CONTACT MAY BE CRIMPED WITH DCT12-02-00 AUTOMATIC DIE OR DTT-12-00 HAND TOOL. SEE DRAWING 0425-208-0000 FOR APPLICABLE WIRE SIZE, INSULATION DIAMETER RANGE, AND CRIMPING INFORMATION.
  3. ONE REEL CONTAINS APPROXIMATELY 2500 CONTACTS.
  2. DIMENSION TOLERANCE:  $\pm .025$  [.64].
  1. DIMENSIONS ARE IN INCHES [mm].
- NOTES: UNLESS OTHERWISE SPECIFIED

SIGNATURE & DATE		STAMPED CONTACT PIN SIZE 12	EP EP058	MATL. CODE
DR	D. MEYER 11/14/00		<b>The Deutsch Company</b>	
CHK	<i>[Signature]</i> 7/11/07		DEUTSCH I.P.D. 3850 INDUSTRIAL AVE. HEMET, CALIF. 92545	
PE	<i>[Signature]</i> 7/10/07		<b>B</b> 1060-12-01 **	
APPD	<i>[Signature]</i> 7-11-07	ENVELOPE	DWG SIZE	CODE 11139 SHEET   OF
SCALE	NONE WT			



DEUTSCH | DEUTSCH Common Contact

TE Internal #: 1060-12-0166

Automotive Terminals, Pin, Pin Diameter 2.4 mm [.094 in], 14 – 12 AWG Wire Size, 2.08 – 3.31 mm<sup>2</sup> Wire Size, DEUTSCH Common Contact

[View on TE.com >](#)

Terminals & Splices > Automotive Terminals



Terminal Type: Pin

Mating Pin Diameter: 2.4 mm [.094 in]

Terminal Transmits: 25 – 40 A (Power)

Wire Size: 2.08 – 3.31 mm<sup>2</sup>

**Features**

**Product Type Features**

Receptacle Style	180°
Sealable	No
Primary Locking Feature	Integrated in Housing

**Contact Features**

Contact Size	Size 12
Contact Fabrication	Stamped & Formed
Wire Contact Termination Area Plating Material	Tin
Typical Current Rating	25 A
Crimp Type	F-Crimp
Terminal Type	Pin
Mating Pin Diameter	2.4 mm [.094 in]
Interface Plating	Nickel (Ni)

**Termination Features**

Termination Method to Wire & Cable	Crimp
Product Terminates To	Wire

**Dimensions**

Compatible Insulation Diameter Range	2.9 – 4.5 mm [.113 – .176 in]
Wire Size	2.08 – 3.31 mm <sup>2</sup>

**Usage Conditions**



Insulation Option	Uninsulated
Operating Temperature (Max)	125 °C[257 °F]
Operating Temperature Range	-55 – 125 °C[-67 – 257 °F]

**Operation/Application**

Compatible With Wire Base Material	Copper
------------------------------------	--------

**Packaging Features**

Packaging Quantity	2500
Packaging Method	Reel

**Other**

Customer Preferred Contact	Yes
Terminal Transmits	25 – 40 A (Power)

**Product Compliance**

[For compliance documentation, visit the product page on TE.com>](#)

EU RoHS Directive 2011/65/EU	Compliant
EU ELV Directive 2000/53/EC	Compliant
China RoHS 2 Directive MIIT Order No 32, 2016	No Restricted Materials Above Threshold
EU REACH Regulation (EC) No. 1907/2006	Current ECHA Candidate List: JAN 2024 (240) Candidate List Declared Against: JAN 2024 (240) Does not contain REACH SVHC
Halogen Content	Low Halogen - Br, Cl, F, I < 900 ppm per homogenous material. Also BFR/CFR/PVC Free
Solder Process Capability	Not reviewed for solder process capability

Product Compliance Disclaimer

This information is provided based on reasonable inquiry of our suppliers and represents our current actual knowledge based on the information they provided. This information is subject to change. The part numbers that TE has identified as EU RoHS compliant have a maximum concentration of 0.1% by weight in homogenous materials for lead, hexavalent chromium, mercury, PBB, PBDE, DBP, BBP, DEHP, DIBP, and 0.01% for cadmium, or qualify for an exemption to these limits as defined in the Annexes of Directive 2011/65/EU (RoHS2). Finished electrical and electronic equipment products will be CE marked as required by Directive 2011/65/EU. Components may not be CE marked. Additionally, the part numbers that TE has identified as EU ELV compliant have a maximum concentration of 0.1% by weight in homogenous materials for lead, hexavalent chromium, and mercury, and 0.01% for cadmium, or qualify for an exemption to these limits as defined in the Annexes of Directive 2000/53/EC (ELV). Regarding the REACH Regulation, the information TE provides on SVHC in articles for this part number is based on the latest European Chemicals Agency (ECHA) 'Guidance on requirements for substances in articles' posted at this URL: <https://echa.europa.eu/guidance-documents/guidance-on-reach>



## Compatible Parts



TE Part # CAT-H396-CH8172  
DEUTSCH HDP20 Housings



TE Part # CAT-H3930-CH8172  
DEUTSCH HD30 Housings




TE Part # CAT-D486-CH8172  
DEUTSCH DTP Housings



TE Part # CAT-D781-CH8172  
DEUTSCH DRB Housings



TE Part # CAT-H3910-CH8172  
DEUTSCH HD10 Housings



TE Part # CAT-D48-PCH8172  
DEUTSCH DTHD Housings



TE Part # CAT-D799-CH8172  
DEUTSCH DRC Housings



TE Part # JS-12-00  
JIFFY SPLICE, size 12



TE Part # 0462-203-12141  
SOC, SOLID, SIZE 12, 12-14AWG, NI



TE Part # 1062-12-0166  
SOC, SF, SIZE 12, 12-14, NI/SN



TE Part # 2266124-1  
OCEAN\_2.0\_Applicator-S-117F156O-RSM



TE Part # 2266124-2  
OCEAN\_2.0\_Applicator-S-117F156O-RSA



TE Part # 2266125-1  
OCEAN-2.0-APPLICATOR-S-117F134O-RSM



TE Part # 2266125-2  
OCEAN-2.0-APPLICATOR-S-117F134O-RSA



TE Part # 2266126-1  
OCEAN\_2.0-APPLICATOR-S-117F114O-RSM



TE Part # 2266126-2  
OCEAN\_2.0-APPLICATOR-S-117F114O-RSA




TE Part # 2389167-1  
SDE F DEUTSCH (SIZE 12) 3.0-4.0mm<sup>2</sup> ASSY



TE Part # 2389168-1  
SDE F DEUTSCH (SIZE 12) 2.0-2.5mm<sup>2</sup> ASSY

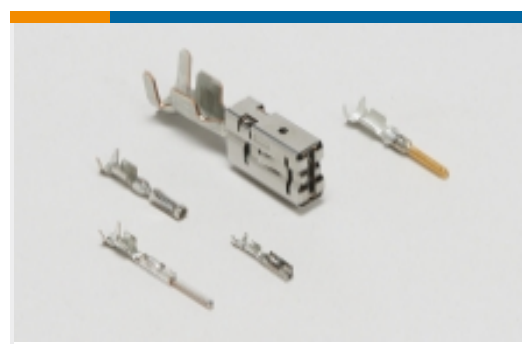


TE Part # 2389168-2  
SDE F DEUTSCH (12) 2.0-2.5mm<sup>2</sup> DIE SET



TE Part # 7-2266124-7  
OCEAN\_2.0\_SPARE\_PART\_KIT-117F156O

Also in the Series | **DEUTSCH Common Contact**

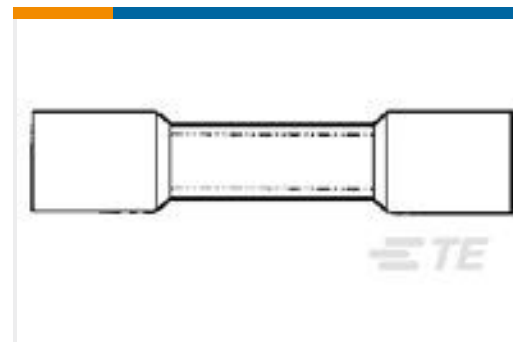
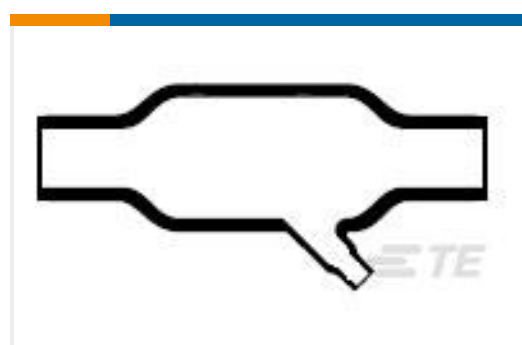


Automotive Terminals(91)



Insertion &amp; Extraction Tools(8)

## Customers Also Bought

TE Part #DTP06-2S  
PLG, 2P, GRY, NTE Part #1062-16-0122  
DEUTSCH Size 16 Crimp ContactsTE Part #8-55845-5  
#8 PRE-INSUL SEALED SPLICETE Part #1060-20-0122  
PIN, SF, SIZE 20, 16-22, NI/NITE Part #823257-000  
342A012-4/42-0TE Part #1060-16-1222-PS  
PIN, SF, SIZE 16, 12-16, NI/SN, 100 PCTE Part #2837796-1  
OCEAN-2.0-APPLICATOR-S-078F094O-RSM

## Documents

### Product Drawings

PIN, SF, SIZE 12, 12-14, NI/SN

English

### CAD Files

3D PDF

3D

Customer View Model

[ENG\\_CVM\\_CVM\\_1060-12-0166\\_K\\_c-1060-12-0166-k.2d\\_dxf.zip](#)

English

Customer View Model

[ENG\\_CVM\\_CVM\\_1060-12-0166\\_K\\_c-1060-12-0166-k.3d\\_igs.zip](#)

English

Customer View Model

[ENG\\_CVM\\_CVM\\_1060-12-0166\\_K\\_c-1060-12-0166-k.3d\\_stp.zip](#)

English

By downloading the CAD file I accept and agree to the [Terms and Conditions](#) of use.



---

**Datasheets & Catalog Pages**

**CONNECTOR SELECTOR**

English

---

**Product Specifications**

**Engineering Report**

English