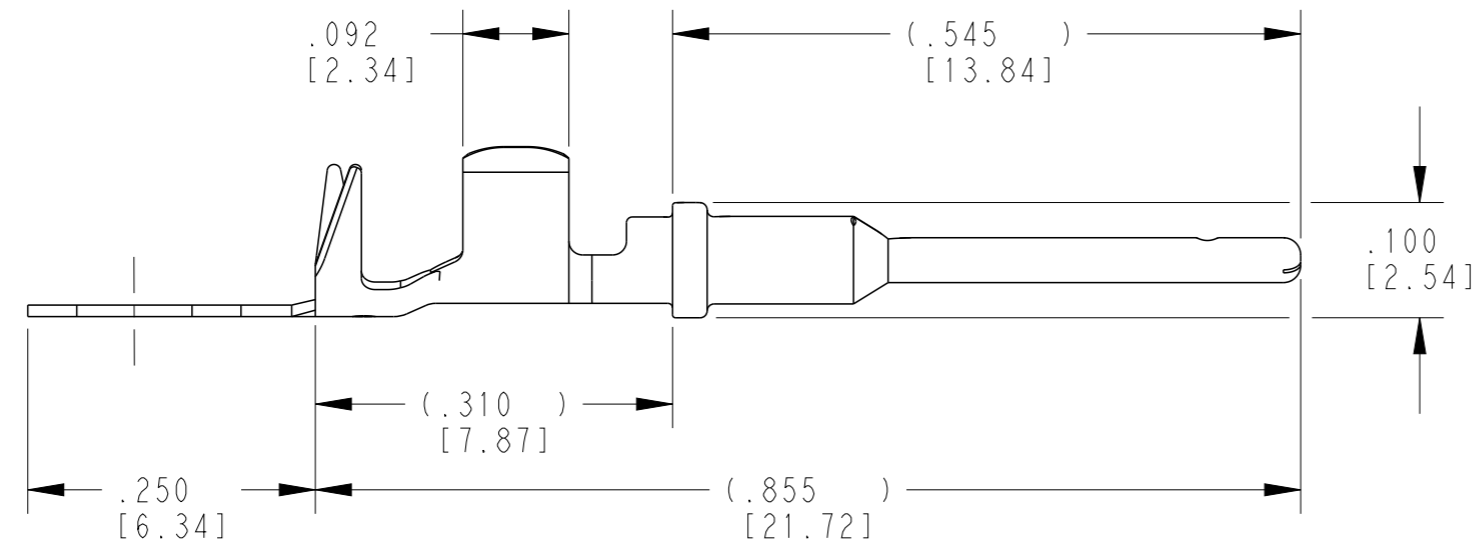
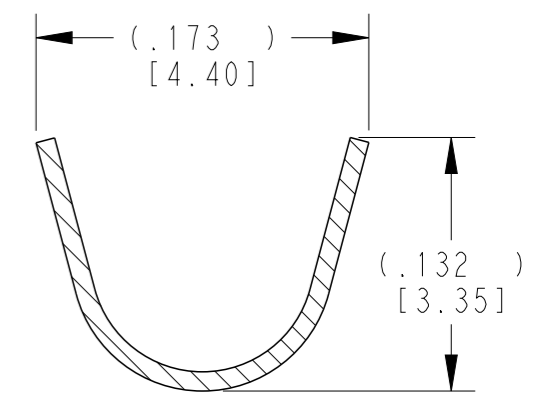
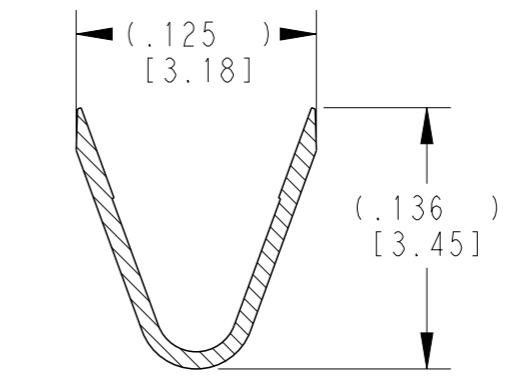
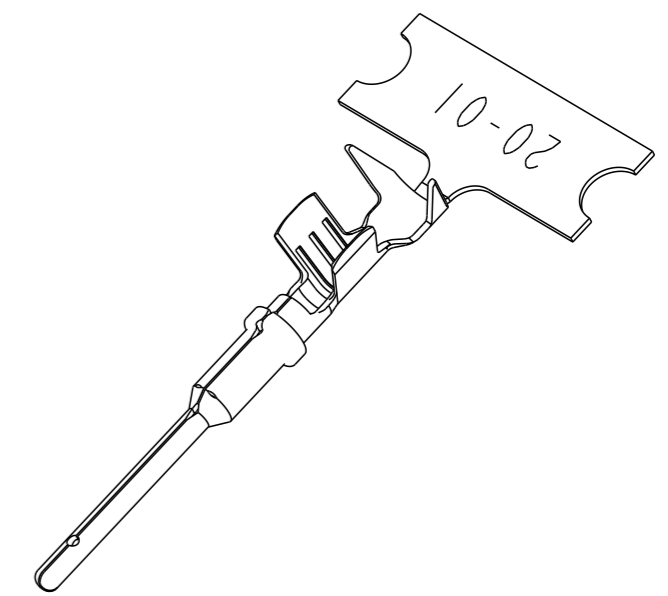
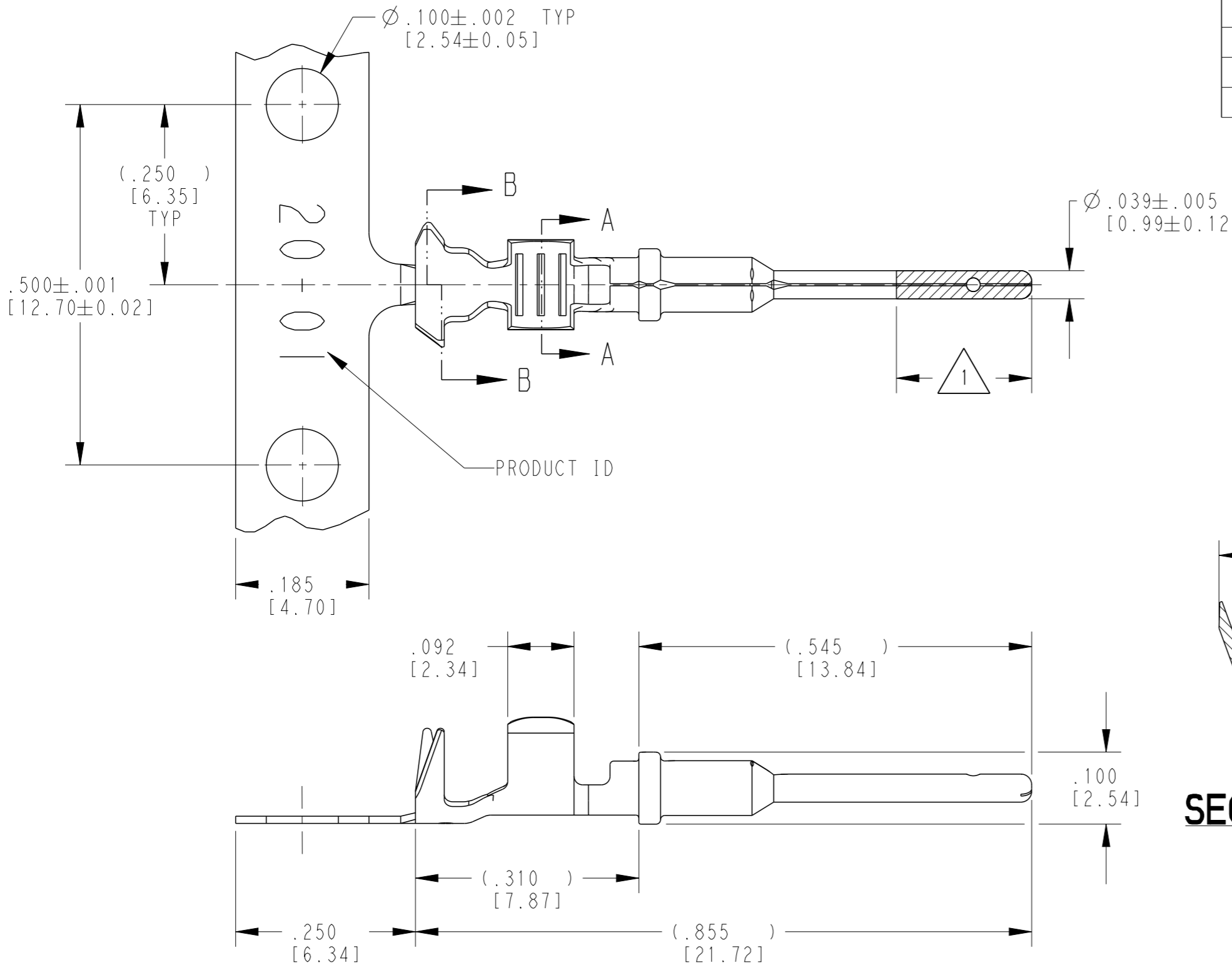


REVISIONS					
P	LTR	DESCRIPTION	DATE	DWN	APVD
D		REVISED PER E.O. P20044	03NOV2008		RDR
E		REVISED PER E.O. P20392	03DEC2009		RDR
F		REVISED PER PCN :E-18-007949	23MAY2018	DD	DM



- 3 MATERIAL: .010 [0.25] THICK COPPER ALLOY
- 2. WIRE RANGE: 22 AWG TO 16 AWG [0.35-1.5 mm²]
INSULATION RANGE: Ø.075-.125 [Ø1.91-3.18]
- 1 APPLIES ONLY TO SELECTIVE GOLD 1060-20-0144.
INDICATED DIMENSION SHOWS GOLD PLATED AREA.

NOTES: UNLESS OTHERWISE SPECIFIED

THIS DRAWING IS A CONTROLLED DOCUMENT.	
DIMENSIONS: INCHES [mm]	TOLERANCES UNLESS OTHERWISE SPECIFIED:
	0 PLC ±
	1 PLC ±
	2 PLC ±
	3 PLC ±.025 [0.64]
	4 PLC ±
	ANGLES ±
MATERIAL	FINISH
	SEE TABLE

DWN	J. APOSTOL	01DEC2009
CHK	D. MEYER	02DEC2009
APVD	R. REED	03DEC2009
PRODUCT SPEC	0425-015-0000	
APPLICATION SPEC	114-151003	
WEIGHT	0.16 g	
CUSTOMER DRAWING		

TE INTERNAL PN	DEUTSCH PN	PLATING
1060-20-0122	1060-20-0122	NICKEL
1060-20-0144	1060-20-0144	SELECTIVE GOLD
1060-20-0177	1060-20-0177	TIN

TE Connectivity		NAME	
		STAMPED CONTACT PIN SIZE 20	
SIZE	CAGE CODE	DRAWING NO	RESTRICTED TO
A3	4AFU8	1060-20-01XX	-
SCALE		SHEET	REV
6:1		1 OF 1	F



DEUTSCH | DEUTSCH Common Contact

TE Internal #: 1060-20-0122

Automotive Terminals, Pin, Pin Diameter 1 mm [.04 in], 22 – 16 AWG Wire Size, .325 – 1.31 mm² Wire Size, DEUTSCH Common Contact

[View on TE.com >](#)

Terminals & Splices > Automotive Terminals



Terminal Type: Pin

Mating Pin Diameter: 1 mm [.04 in]

Terminal Transmits: 0 – 24 A (Low Power)

Wire Size: .325 – 1.31 mm²

Features

Product Type Features

Receptacle Style	180°
Sealable	No
Primary Locking Feature	Integrated in Housing

Contact Features

Contact Size	Size 20
Contact Fabrication	Stamped & Formed
Wire Contact Termination Area Plating Material	Nickel
Typical Current Rating	7.5 A
Crimp Type	F-Crimp
Terminal Type	Pin
Mating Pin Diameter	1 mm [.04 in]
Interface Plating	Nickel (Ni)

Termination Features

Termination Method to Wire & Cable	Crimp
Product Terminates To	Wire

Dimensions

Compatible Insulation Diameter Range	1.9 – 3.2 mm [.075 – .125 in]
Wire Size	.325 – 1.31 mm ²

Usage Conditions

勝特力電材超市-龍山店 886-3-5773766
 勝特力電材超市-光復店 886-3-5729570
 勝特力電子(上海) 86-21-34970699
 勝特力電子(深圳) 86-755-83298787
<http://www.100y.com.tw>



Insulation Option	Uninsulated
Operating Temperature (Max)	125 °C[257 °F]
Operating Temperature Range	-55 – 125 °C[-67 – 257 °F]

Operation/Application

Compatible With Wire Base Material	Copper
------------------------------------	--------

Packaging Features

Packaging Quantity	4000
Packaging Method	Reel

Other

Customer Preferred Contact	Yes
Terminal Transmits	0 – 24 A (Low Power)

Product Compliance

[For compliance documentation, visit the product page on TE.com>](#)

EU RoHS Directive 2011/65/EU	Compliant
EU ELV Directive 2000/53/EC	Compliant
China RoHS 2 Directive MIIT Order No 32, 2016	No Restricted Materials Above Threshold
EU REACH Regulation (EC) No. 1907/2006	Current ECHA Candidate List: JAN 2024 (240) Candidate List Declared Against: JAN 2024 (240) Does not contain REACH SVHC
Halogen Content	Low Halogen - Br, Cl, F, I < 900 ppm per homogenous material. Also BFR/CFR/PVC Free
Solder Process Capability	Not reviewed for solder process capability

Product Compliance Disclaimer

This information is provided based on reasonable inquiry of our suppliers and represents our current actual knowledge based on the information they provided. This information is subject to change. The part numbers that TE has identified as EU RoHS compliant have a maximum concentration of 0.1% by weight in homogenous materials for lead, hexavalent chromium, mercury, PBB, PBDE, DBP, BBP, DEHP, DIBP, and 0.01% for cadmium, or qualify for an exemption to these limits as defined in the Annexes of Directive 2011/65/EU (RoHS2). Finished electrical and electronic equipment products will be CE marked as required by Directive 2011/65/EU. Components may not be CE marked. Additionally, the part numbers that TE has identified as EU ELV compliant have a maximum concentration of 0.1% by weight in homogenous materials for lead, hexavalent chromium, and mercury, and 0.01% for cadmium, or qualify for an exemption to these limits as defined in the Annexes of Directive 2000/53/EC (ELV). Regarding the REACH Regulation, the information TE provides on SVHC in articles for this part number is based on the latest European Chemicals Agency (ECHA) 'Guidance on requirements for substances in articles' posted at this URL: <https://echa.europa.eu/guidance-documents/guidance-on-reach>




Compatible Parts




TE Part # CAT-H3930-CH8172
DEUTSCH HD30 Housings



TE Part # CAT-H396-CH8172
DEUTSCH HDP20 Housings



TE Part # CAT-D485-CH8172
DEUTSCH DTM Housings



TE Part # CAT-D781-CH8172
DEUTSCH DRB Housings



TE Part # CAT-D48-ST273
DEUTSCH Solid Contacts



TE Part # DTM04-08PC
REC, 8P, GRN, N, C



TE Part # 1062-20-0622
SOC, SF, SIZE 20, 14-16, NI/NI



TE Part # DTM04-3P-R011
REC, 3P, BLK, 90DEG, PANEL



TE Part # DTMH04-4PD
REC, 4P, BLK, N, HI TEMP, D



TE Part # CAT-D799-CH8172
DEUTSCH DRC Housings



TE Part # CAT-ST858-CH8172
DEUTSCH Strike Housings



TE Part # DTM04-12PA-EE04
REC, 12P, BLK, N, HIGH TEMP, A



TE Part # 1062-20-0222
SOC, SF, SIZE 20, 16-22, NI/NI



TE Part # 1062-20-0322
SOC, SF, SIZE 20, 16-22, SLEVLSS, NI /NI



TE Part # 1062-20-0122
SOC, SF, SIZE 20, 16-22, NI/NI



TE Part # 1062-20-0377
SOC, SF, SIZE 20, 16-22, SLEVLSS, SN /SN



TE Part # 1-2303064-1
12POS, STAMPED 20, PIN HSG ASSY, SLD, COD 1



TE Part # 1-2445860-1
36POS, HYBRID, PIN HSG ASSY, SLD, COD A



TE Part # 1-2445860-2
36POS, HYBRID, PIN HSG ASSY, SLD, COD B



TE Part # 1-2445860-3
36POS, HYBRID, PIN HSG ASSY, SLD, COD C

Also in the Series | **DEUTSCH Common Contact**



Automotive Terminals(91)



Insertion & Extraction Tools(8)

Customers Also Bought



TE Part #DTM04-12PA
DEUTSCH DTM Housings



TE Part #WM-12S
DEUTSCH DTM Wedgelocks



TE Part #1587902-1
Plug Pig Tail Assy, HV, HVA280 2P

Documents

Product Drawings

[PIN, SF, SIZE 20, 16-22, NI/NI](#)

English

CAD Files

[3D PDF](#)

3D

Customer View Model

[ENG_CVM_CVM_1060-20-0122_J_c-1060-20-0122-j.2d_dxf.zip](#)

English

Customer View Model

[ENG_CVM_CVM_1060-20-0122_J_c-1060-20-0122-j.3d_igs.zip](#)

English

Customer View Model

[ENG_CVM_CVM_1060-20-0122_J_c-1060-20-0122-j.3d_stp.zip](#)

English

By downloading the CAD file I accept and agree to the [Terms and Conditions](#) of use.

Datasheets & Catalog Pages

[CONNECTOR SELECTOR](#)

English

Product Specifications

[Application Specification](#)

English

1060-20-0122

Automotive Terminals, Pin, Pin Diameter 1 mm [.04 in], 22 – 16 AWG Wire Size, .325 – 1.31 mm² Wire Size, DEUTSCH Common Contact

