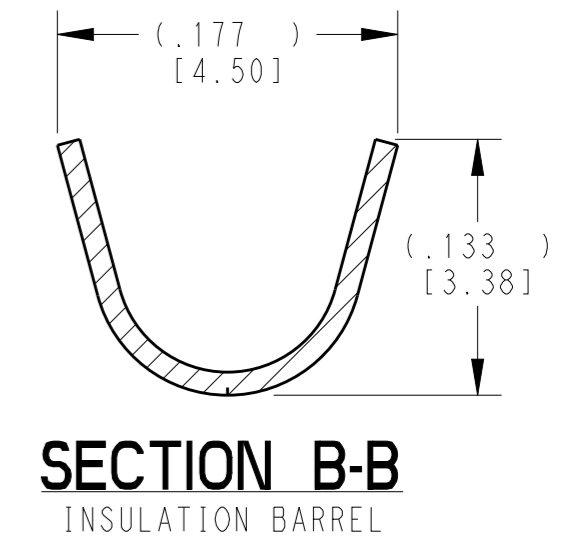
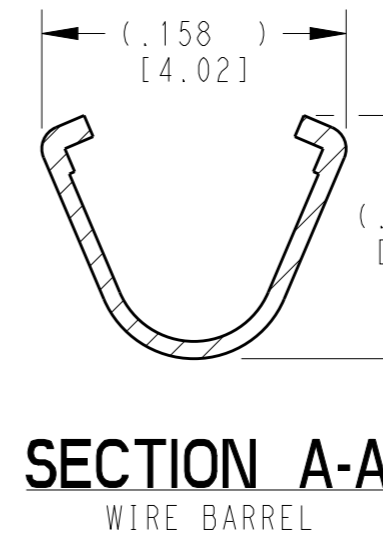
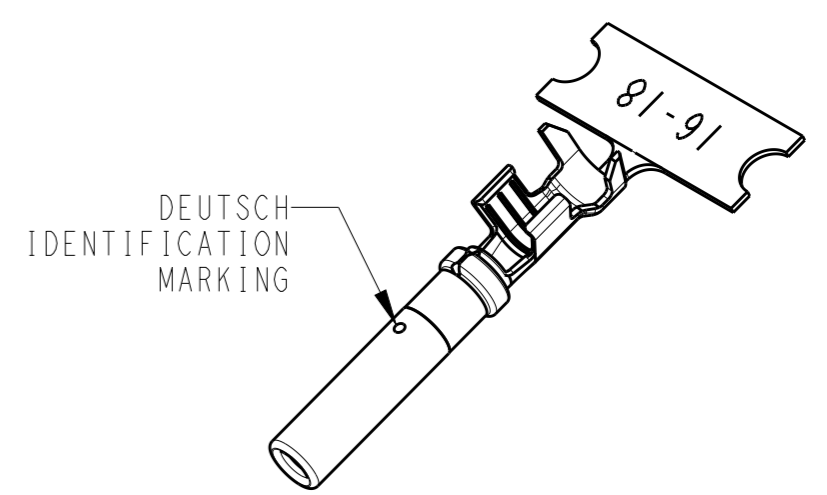
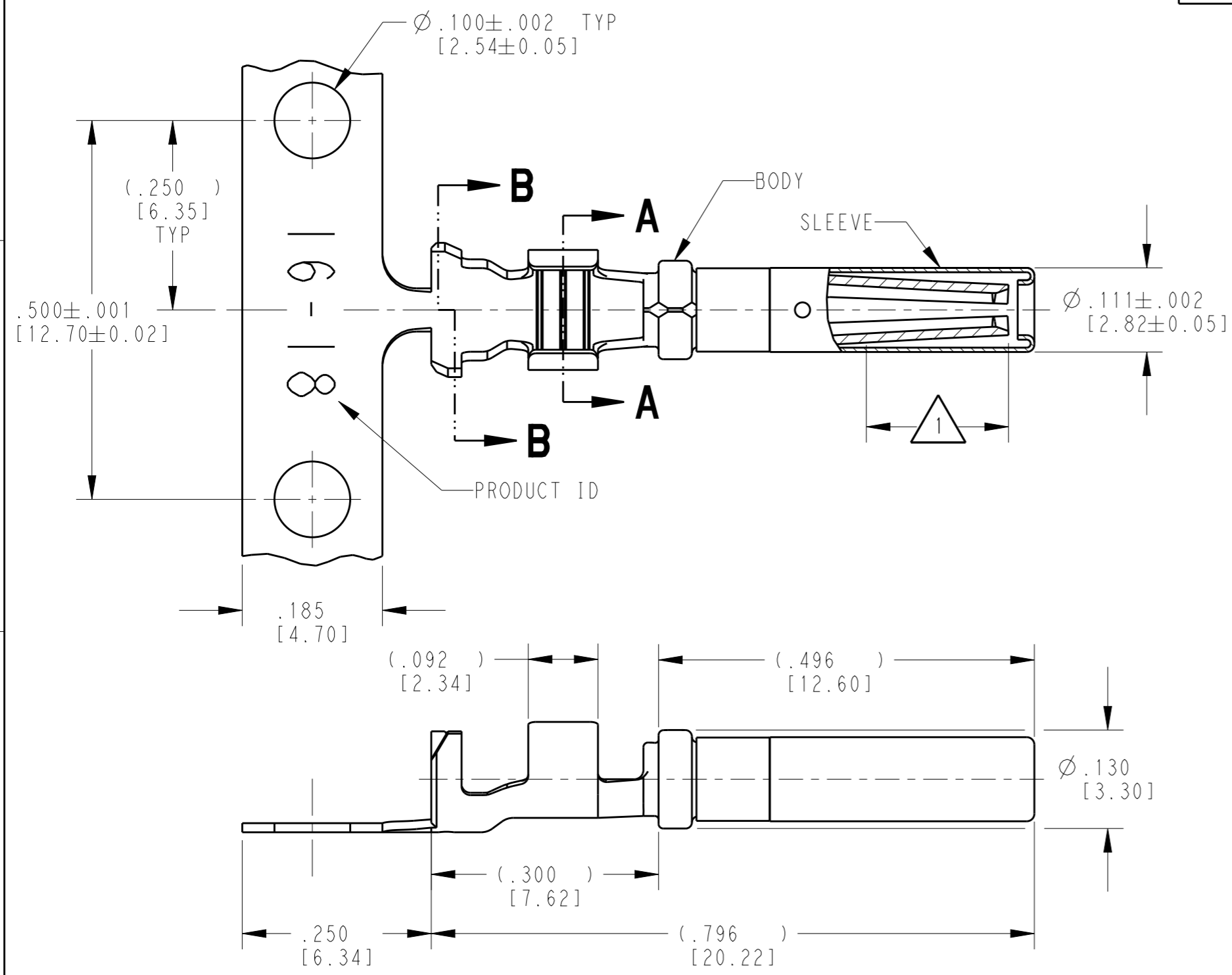


THIS DRAWING IS UNPUBLISHED
 RELEASED FOR PUBLICATION 2015
 © COPYRIGHT 1999 BY TE CONNECTIVITY ALL RIGHTS RESERVED.

LOC	DIST	REVISIONS			
P	LTR	DESCRIPTION	DATE	DWN	APVD
	F	REVISED PER E.O. P16998	08DEC2000	SP	RDR
	G	REVISED PER E.O. P19555	11JUL2007	JA	RDR
	H	REVISED PER E.O. P20396	25JUN2010	JA	RDR
	J	REVISED PER ECO-15-007761	28MAY2015	RL	DM



- △ 3 MATERIAL:
 BODY: .012 [0.30] THICK COPPER ALLOY
 SLEEVE: STAINLESS STEEL
- 2. WIRE RANGE: 18 AWG TO 14 AWG [0.75-2.0 mm²]
 INSULATION RANGE: Ø.075-.140 [Ø1.91-3.56]
- △ 1 APPLIES ONLY TO SELECTIVE GOLD 1062-16-0144.
 INDICATED DIMENSION SHOWS GOLD PLATED AREA.

NOTES: UNLESS OTHERWISE SPECIFIED

THIS DRAWING IS A CONTROLLED DOCUMENT.		DWN M. BLUM 03NOV1999
DIMENSIONS: INCHES [mm]		CHK A. ROLINSKI 08DEC2000
TOLERANCES UNLESS OTHERWISE SPECIFIED:		APVD R. REED 08DEC2000
0 PLC ±		PRODUCT SPEC 0425-015-0000
1 PLC ±		APPLICATION SPEC 114-151000
2 PLC ±		WEIGHT 0.43 g
3 PLC ±.025 [0.64]		
4 PLC ±		
ANGLES ±		
MATERIAL △ 3	FINISH SEE TABLE	

TE INTERNAL PN	DEUTSCH PN	PLATING
1062-16-0122	1062-16-0122	NICKEL
1062-16-0144	1062-16-0144	SELECTIVE GOLD
1062-16-0177	1062-16-0177	TIN

STE TE Connectivity	
NAME SOCKET, STAMPED AND FORMED SIZE 16 14-18AWG	
SIZE A3	CAGE CODE 4AFU8
DRAWING NO 1062-16-01XX	RESTRICTED TO -
Customer Drawing	SCALE 6:1 SHEET 1 OF 1 REV J



enetSEAL+ | DEUTSCH Common Contact

TE Internal #: 1062-16-0122

Automotive Terminals, Socket, Pin Diameter 1.5 mm [.062 in], 18 – 14 AWG Wire Size, .823 – 2.08 mm² Wire Size, DEUTSCH Common Contact

[View on TE.com >](#)

Terminals & Splices > Automotive Terminals > DEUTSCH Size 16 Crimp Contacts



勝特力電材超市-龍山店 886-3-5773766
 勝特力電材超市-光復店 886-3-5729570
 勝特力電子(上海) 86-21-34970699
 勝特力電子(深圳) 86-755-83298787
<http://www.100y.com.tw>

Terminal Type: **Socket**

Mating Pin Diameter: 1.5 mm [.062 in]

Terminal Transmits: 0 – 24 A (Low Power)

Wire Size: .823 – 2.08 mm²

[All DEUTSCH Size 16 Crimp Contacts \(32\)](#)

Features

Product Type Features

Receptacle Style	180°
Sealable	No
Primary Locking Feature	Integrated in Housing

Contact Features

Contact Size	Size 16
Contact Fabrication	Stamped & Formed
Wire Contact Termination Area Plating Material	Tin
Typical Current Rating	13 A
Crimp Type	F-Crimp
Terminal Type	Socket
Mating Pin Diameter	1.5 mm[.062 in]
Interface Plating	Nickel (Ni)

Termination Features

Termination Method to Wire & Cable	Crimp
Product Terminates To	Wire

Dimensions

Compatible Insulation Diameter Range	1.9 – 3.6 mm[.075 – .14 in]
--------------------------------------	-----------------------------



Wire Size .823 – 2.08 mm²

Usage Conditions

Insulation Option	Partially Insulated
Operating Temperature (Max)	125 °C[257 °F]
Operating Temperature Range	-55 – 125 °C[-67 – 257 °F]

Operation/Application

Compatible With Wire Base Material	Copper
------------------------------------	--------

Packaging Features

Packaging Quantity	4000
Packaging Method	Reel

Other

Customer Preferred Contact	Yes
Terminal Transmits	0 – 24 A (Low Power)

Product Compliance

[For compliance documentation, visit the product page on TE.com>](#)

EU RoHS Directive 2011/65/EU	Compliant
EU ELV Directive 2000/53/EC	Compliant
China RoHS 2 Directive MIIT Order No 32, 2016	No Restricted Materials Above Threshold
EU REACH Regulation (EC) No. 1907/2006	Current ECHA Candidate List: JAN 2024 (240) Candidate List Declared Against: JAN 2024 (240) Does not contain REACH SVHC
Halogen Content	Low Halogen - Br, Cl, F, I < 900 ppm per homogenous material. Also BFR/CFR/PVC Free
Solder Process Capability	Not reviewed for solder process capability

Product Compliance Disclaimer

This information is provided based on reasonable inquiry of our suppliers and represents our current actual knowledge based on the information they provided. This information is subject to change. The part numbers that TE has identified as EU RoHS compliant have a maximum concentration of 0.1% by weight in homogenous materials for lead, hexavalent chromium, mercury, PBB, PBDE, DBP, BBP, DEHP, DIBP, and 0.01% for cadmium, or qualify for an exemption to these limits as defined in the Annexes of Directive 2011/65/EU (RoHS2). Finished electrical and electronic equipment products will be CE marked as required by Directive 2011/65/EU. Components may not be CE marked. Additionally, the part numbers that TE has identified as EU ELV compliant have a maximum concentration of 0.1% by weight in homogenous materials for lead, hexavalent chromium, and mercury, and 0.01% for cadmium, or qualify for an exemption to these limits as defined in the Annexes of Directive 2000/53/EC (ELV). Regarding the REACH Regulation, the information TE provides on SVHC in articles for this part number is based on the latest European Chemicals Agency (ECHA) 'Guidance on

requirements for substances in articles' posted at this URL: <https://echa.europa.eu/guidance-documents/guidance-on-reach>

Compatible Parts



TE Part # CAT-H3930-CH8172
DEUTSCH HD30 Housings




TE Part # CAT-J41-DDPC
DEUTSCH DT Plug Connectors



TE Part # CAT-H396-CH8172
DEUTSCH HDP20 Housings



TE Part # CAT-D799-CH8172
DEUTSCH DRC Housings




TE Part # CAT-D781-CH8172
DEUTSCH DRB Housings



TE Part # CAT-ST858-CH8172
DEUTSCH Strike Housings



TE Part # JS-16-00
JIFFY SPLICE, Size 16



TE Part # CAT-D48-ST273
DEUTSCH Solid Contacts



TE Part # CAT-J67-DSCC16
DEUTSCH Size 16 Crimp Contacts



TE Part # 2298287-1
DTM06-4S-E003, PLG, 4P, GRY, N, CAP



TE Part # CAT-J41-DDCC
DEUTSCH DT Color Connectors



TE Part # 2266101-1
OCEAN_2.0_APPLICATOR-S-090F110O-RSM



TE Part # CAT-D487-CH8172
DEUTSCH DT Series Housings & Connectors



TE Part # CAT-H3910-CH8172
DEUTSCH HD10 Housings



TE Part # 1-2297507-1
2POS,CE,PIN HSG,16, DT, CODE A, ASSY,SLD



TE Part # 2266102-1
OCEAN_2.0_Applicator-S-090F090O-RSM




TE Part # HDFB-16-06S
MODULE, FEEDBACK, 21P, GRAY,
SZ16, SOC



TE Part # DTV06-18SC
PLG, 18P, GRN, N, C

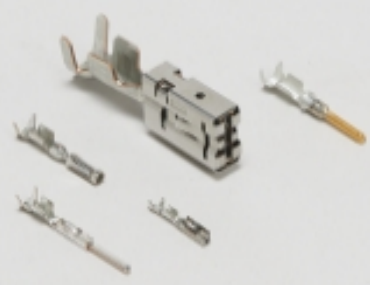


TE Part # DT16-18SA-K004
PLG, 18P, BLK, E, A




TE Part # DT16-18SE-K004
PLG, 18P, BLK, E, E

Also in the Series | **DEUTSCH Common Contact**



Automotive Terminals(91)



Insertion & Extraction Tools(8)

Customers Also Bought



TE Part #DT06-4S
DEUTSCH DT Plug Connectors



TE Part #DT04-2P
REC, 2P, GRY, N



TE Part #W2P
Wedgelocks: DEUTSCH DT



TE Part #1060-14-0122
DEUTSCH Size 16 Crimp Contacts



TE Part #1062-12-0166
SOC, SF, SIZE 12, 12-14, NI/SN



TE Part #1717269-1
PL EX 187 INSULATED FLAG REC PVC
V-0

Documents

Product Drawings
SOC, SF, SIZE 16, 14-18, NI/SN

English

CAD Files

3D PDF

3D



Customer View Model

[ENG_CVM_CVM_1062-16-0122_H_c-1062-16-0122-h.2d_dxf.zip](#)

English

Customer View Model

[ENG_CVM_CVM_1062-16-0122_H_c-1062-16-0122-h.3d_igs.zip](#)

English

Customer View Model

[ENG_CVM_CVM_1062-16-0122_H_c-1062-16-0122-h.3d_stp.zip](#)

English

By downloading the CAD file I accept and agree to the [Terms and Conditions](#) of use.

Datasheets & Catalog Pages

[CONNECTOR SELECTOR](#)

English

Product Specifications

[Engineering Report](#)

English