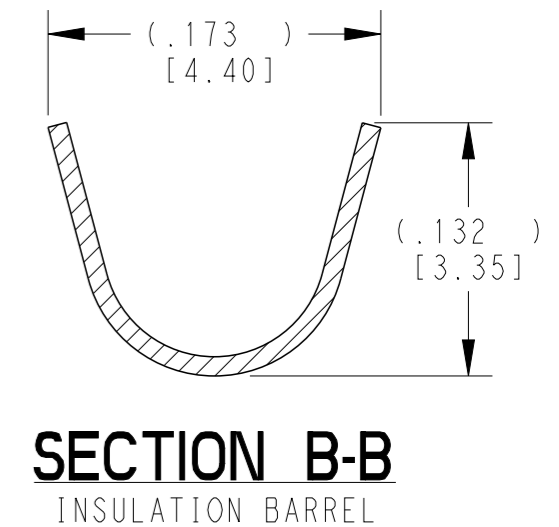
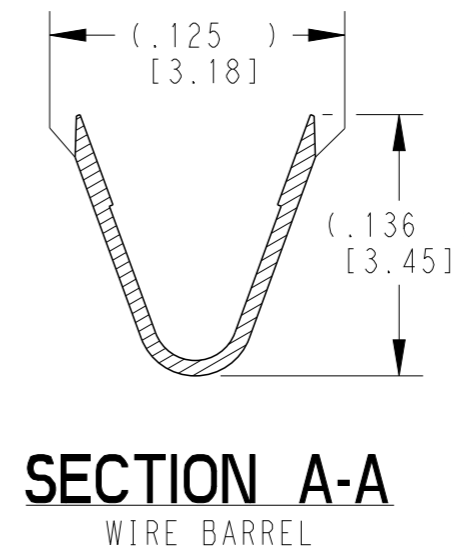
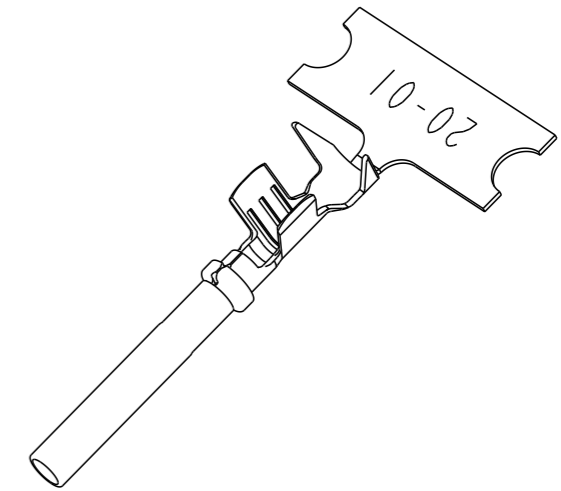
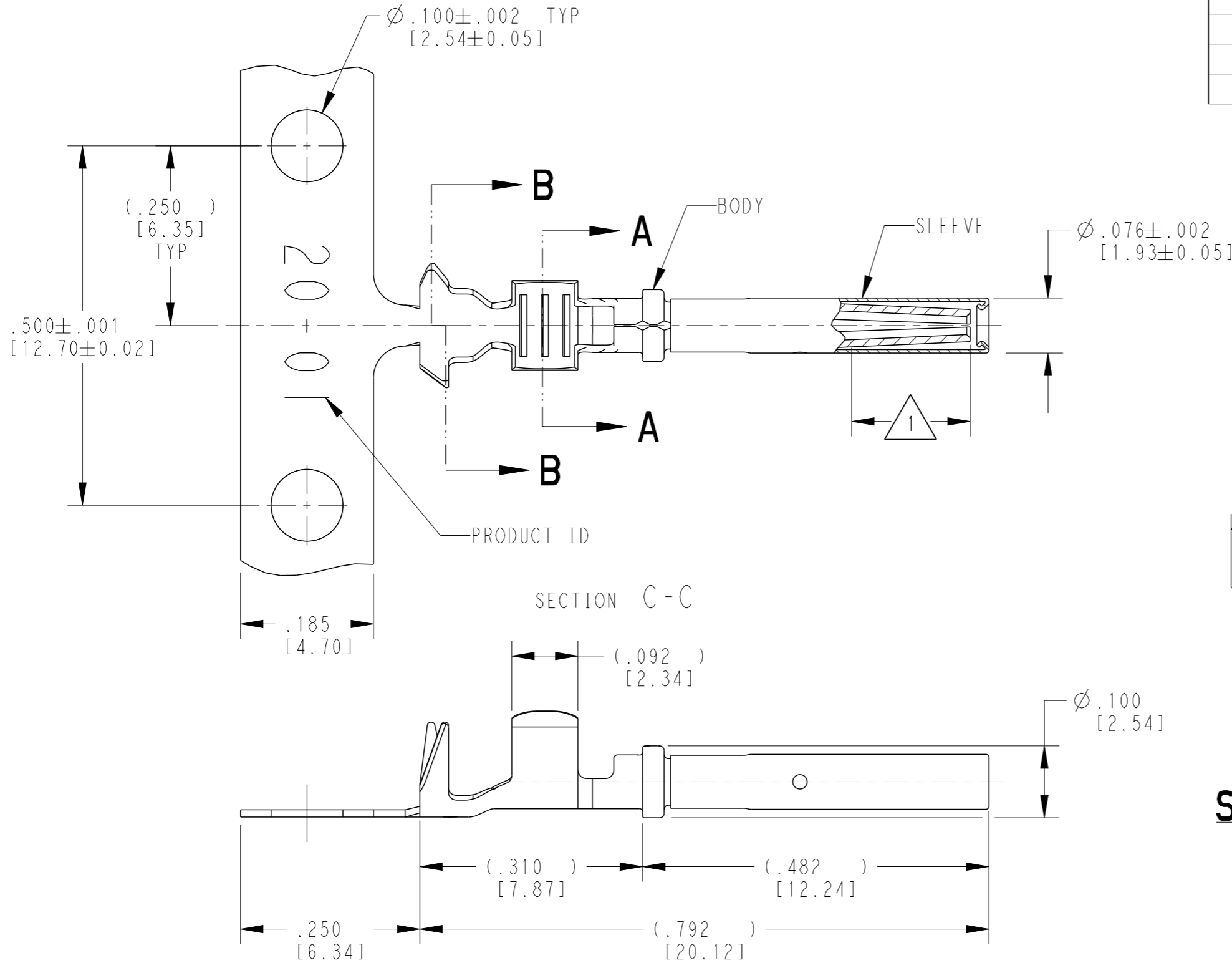


REVISIONS

P	LTR	DESCRIPTION	DATE	DWN	APVD
E		REVISED PER E.O. P20382	03DEC2009		RDR
F		REVISED PER PCN :E-18-007949	23MAY2018	DD	DM



3 MATERIAL:
BODY: .010 [0.25] THICK COPPER ALLOY
SLEEVE: STAINLESS STEEL

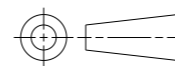
2. WIRE RANGE: 22 AWG TO 16 AWG [0.35-1.5 mm²]
INSULATION RANGE: Ø.075-.125 [Ø1.91-3.18]

1 APPLIES ONLY TO SELECTIVE GOLD 1062-20-0144.
INDICATED DIMENSION SHOWS GOLD PLATED AREA.

NOTES: UNLESS OTHERWISE SPECIFIED

THIS DRAWING IS A CONTROLLED DOCUMENT.

DIMENSIONS:
INCHES [mm]



MATERIAL
3

TOLERANCES UNLESS OTHERWISE SPECIFIED:
0 PLC ±
1 PLC ±
2 PLC ±
3 PLC ±.025 [0.64]
4 PLC ±
ANGLES ±

FINISH
SEE TABLE

DWN J. APOSTOL 01DEC2009

CHK D. MEYER 02DEC2009

APVD R. REED 02DEC2009

PRODUCT SPEC

0425-015-0000

APPLICATION SPEC

114-151003

WEIGHT 0.21 g

CUSTOMER DRAWING

TE INTERNAL PN	DEUTSCH PN	PLATING
1062-20-0122	1062-20-0122	NICKEL
1062-20-0144	1062-20-0144	SELECTIVE GOLD
1062-20-0177	1062-20-0177	TIN



NAME
STAMPED CONTACT
SOCKET
SIZE 20

SIZE	CAGE CODE	DRAWING NO	RESTRICTED TO
A3	4AFU8	1062-20-01XX	-

SCALE 6:1 SHEET 1 OF 1 REV F



enetSEAL+ | DEUTSCH Common Contact

TE Internal #: 1062-20-0122

Automotive Terminals, Socket, Pin Diameter 1 mm [.04 in], 22 – 16 AWG Wire Size, .325 – 1.31 mm² Wire Size, DEUTSCH Common Contact

[View on TE.com >](#)

Terminals & Splices > Automotive Terminals



Terminal Type: **Socket**

Mating Pin Diameter: 1 mm [.04 in]

Terminal Transmits: 0 – 24 A (Low Power)

Wire Size: .325 – 1.31 mm²

Features

Product Type Features

Receptacle Style	180°
Sealable	No
Primary Locking Feature	Integrated in Housing

Contact Features

Contact Size	Size 20
Contact Fabrication	Stamped & Formed
Wire Contact Termination Area Plating Material	Nickel
Typical Current Rating	7.5 A
Crimp Type	F-Crimp
Terminal Type	Socket
Mating Pin Diameter	1 mm [.04 in]
Interface Plating	Nickel (Ni)

Termination Features

Termination Method to Wire & Cable	Crimp
Product Terminates To	Wire

Dimensions

Compatible Insulation Diameter Range	1.9 – 3.2 mm [.075 – .125 in]
Wire Size	.325 – 1.31 mm ²

Usage Conditions

勝特力電材超市-龍山店 886-3-5773766
 勝特力電材超市-光復店 886-3-5729570
 勝特力電子(上海) 86-21-34970699
 勝特力電子(深圳) 86-755-83298787
<http://www.100y.com.tw>



Insulation Option	Partially Insulated
Operating Temperature (Max)	125 °C[257 °F]
Operating Temperature Range	-55 – 125 °C[-67 – 257 °F]

Operation/Application

Compatible With Wire Base Material	Copper
------------------------------------	--------

Packaging Features

Packaging Quantity	4000
Packaging Method	Reel

Other

Customer Preferred Contact	Yes
Terminal Transmits	0 – 24 A (Low Power)

Product Compliance

[For compliance documentation, visit the product page on TE.com>](#)

EU RoHS Directive 2011/65/EU	Compliant
EU ELV Directive 2000/53/EC	Compliant
China RoHS 2 Directive MIIT Order No 32, 2016	No Restricted Materials Above Threshold
EU REACH Regulation (EC) No. 1907/2006	Current ECHA Candidate List: JAN 2024 (240) Candidate List Declared Against: JAN 2024 (240) Does not contain REACH SVHC
Halogen Content	Low Halogen - Br, Cl, F, I < 900 ppm per homogenous material. Also BFR/CFR/PVC Free
Solder Process Capability	Not reviewed for solder process capability

Product Compliance Disclaimer

This information is provided based on reasonable inquiry of our suppliers and represents our current actual knowledge based on the information they provided. This information is subject to change. The part numbers that TE has identified as EU RoHS compliant have a maximum concentration of 0.1% by weight in homogenous materials for lead, hexavalent chromium, mercury, PBB, PBDE, DBP, BBP, DEHP, DIBP, and 0.01% for cadmium, or qualify for an exemption to these limits as defined in the Annexes of Directive 2011/65/EU (RoHS2). Finished electrical and electronic equipment products will be CE marked as required by Directive 2011/65/EU. Components may not be CE marked. Additionally, the part numbers that TE has identified as EU ELV compliant have a maximum concentration of 0.1% by weight in homogenous materials for lead, hexavalent chromium, and mercury, and 0.01% for cadmium, or qualify for an exemption to these limits as defined in the Annexes of Directive 2000/53/EC (ELV). Regarding the REACH Regulation, the information TE provides on SVHC in articles for this part number is based on the latest European Chemicals Agency (ECHA) 'Guidance on requirements for substances in articles' posted at this URL: <https://echa.europa.eu/guidance-documents/guidance-on-reach>




Compatible Parts




TE Part # CAT-H3930-CH8172
DEUTSCH HD30 Housings



TE Part # CAT-H396-CH8172
DEUTSCH HDP20 Housings



TE Part # CAT-D485-CH8172
DEUTSCH DTM Housings




TE Part # CAT-D781-CH8172
DEUTSCH DRB Housings



TE Part # CAT-D799-CH8172
DEUTSCH DRC Housings



TE Part # CAT-ST858-CH8172
DEUTSCH Strike Housings



TE Part # CAT-D48-ST273
DEUTSCH Solid Contacts



TE Part # DTMH06-2SD
PLG, 2P, BLK, N, HI TEMP, D



TE Part # DTMH06-4SB
PLG, 4P, BLK, N, HI TEMP, B



TE Part # DTMH06-4SC
PLG, 4P, BLK, N, HI TEMP, C



TE Part # DRCP28-86SA
PLG, 86P, BLK, 12/20, A



TE Part # 1060-20-0622
PIN, SF, SIZE 20, 14-16, NI/NI



TE Part # DTMH06-4SA
PLG, 4P, BLK, N, HI TEMP, A



TE Part # 1060-20-0222
PIN, SF, SIZE 20, 16-22, NI/NI



TE Part # 1060-20-0122
PIN, SF, SIZE 20, 16-22, NI/NI



TE Part # 2266116-1
OCEAN_2.0_Applicator-S-069F1100-RSM



TE Part # 2266116-2
OCEAN_2.0_Applicator-S-069F1100-RSA



TE Part # 2266117-1
OCEAN-2.0-APPLICATOR-S-069F0900-RSM

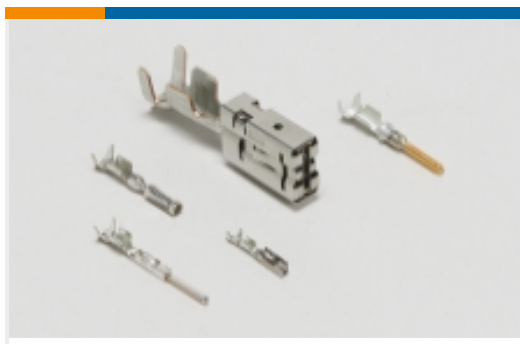


TE Part # 2266117-2
OCEAN-2.0-APPLICATOR-S-069F0900-RSA



TE Part # 2266118-1
OCEAN_2.0-APPLICATOR-S-069F0800-RSM

Also in the Series | **DEUTSCH Common Contact**



Automotive Terminals(91)



Insertion & Extraction Tools(8)

Customers Also Bought



TE Part #DTM04-4P
DEUTSCH DTM Housings



TE Part #DT06-2S
PLG, 2P, GRY, N



TE Part #DRB16-60SBE-L018
PLG, 60P, BLK, E, CAP, B



TE Part #1062-14-0122
SOC, SF, SIZE 16, 14-18, NI/SN



TE Part #1060-12-0166
PIN, SF, SIZE 12, 12-14, NI/SN



TE Part #1-2396218-1
66POS, HYBRID, TAB HSG ASSY, SLD, COD A



TE Part #CSI-RSFE-200-UFFR
RP-SMA to U.FL/MHF1 200mm 1.13 OD



TE Part #2310361-1
1062-16-0122

Documents

Product Drawings

SOC, SF, SIZE 20, 16-22, NI/NI

English

CAD Files

3D PDF

3D

Customer View Model

[ENG_CVM_CVM_1062-20-0122_D.2d_dxf.zip](#)

English

Customer View Model

[ENG_CVM_CVM_1062-20-0122_D.3d_igs.zip](#)

English

Customer View Model

[ENG_CVM_CVM_1062-20-0122_D.3d_stp.zip](#)

English

By downloading the CAD file I accept and agree to the [Terms and Conditions](#) of use.



Datasheets & Catalog Pages

CONNECTOR SELECTOR

English

Product Specifications

Application Specification

English