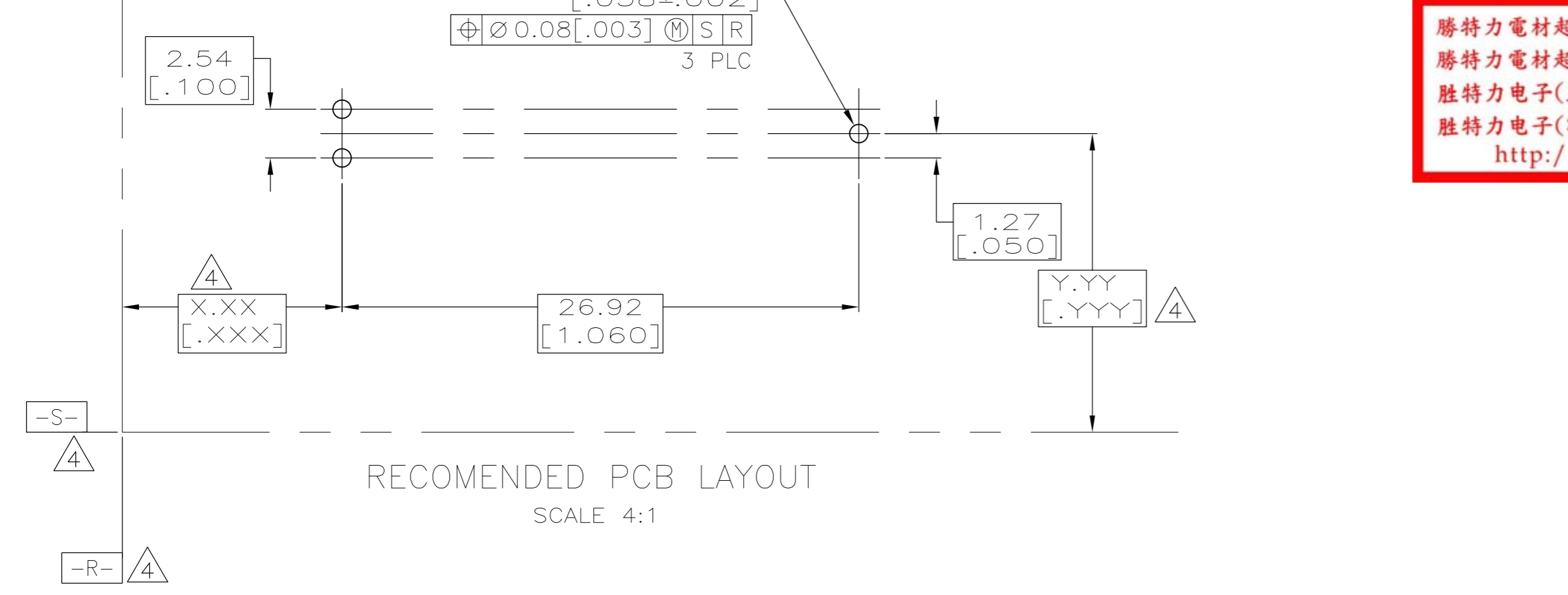
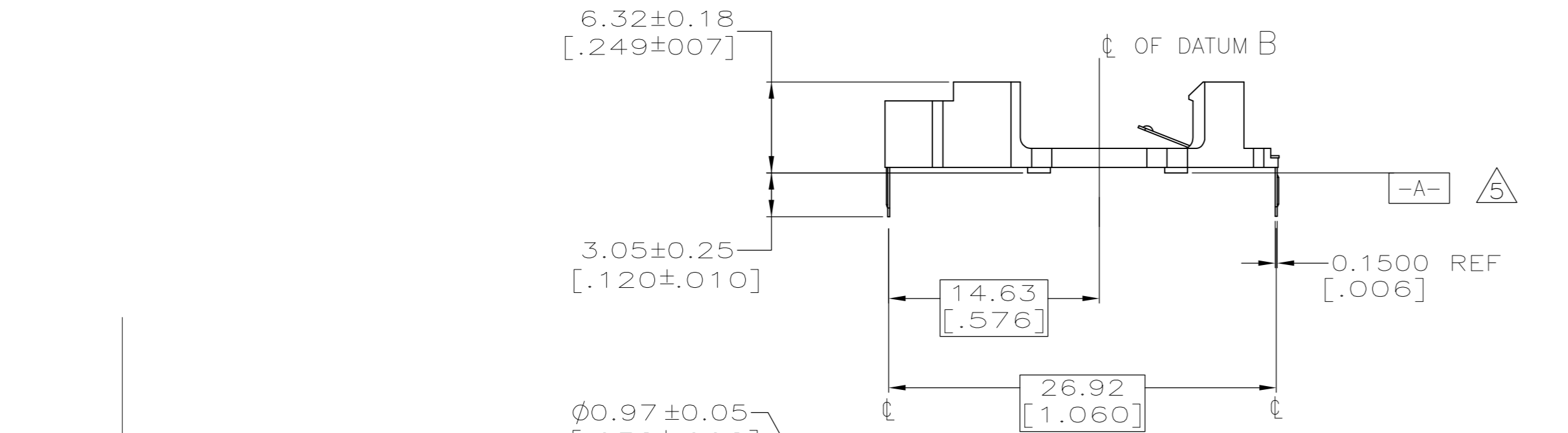
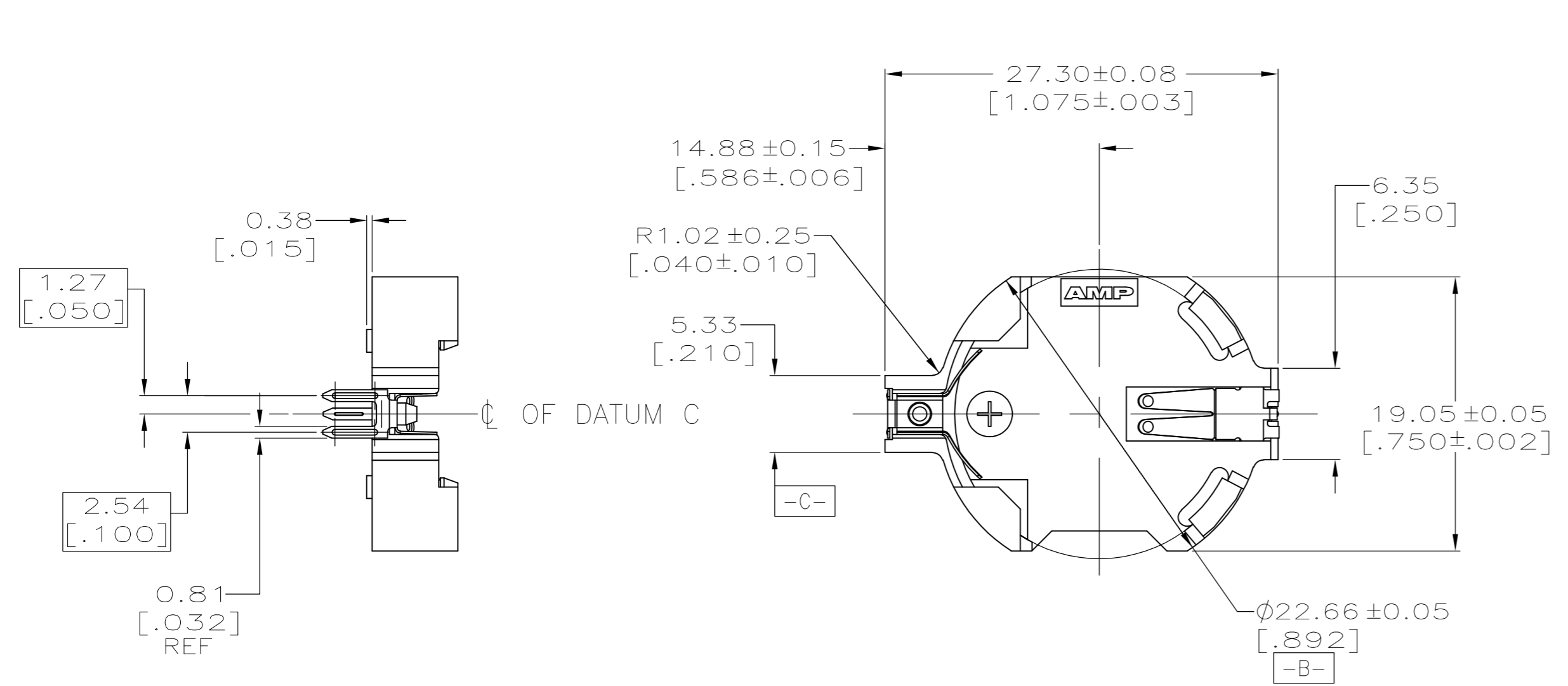
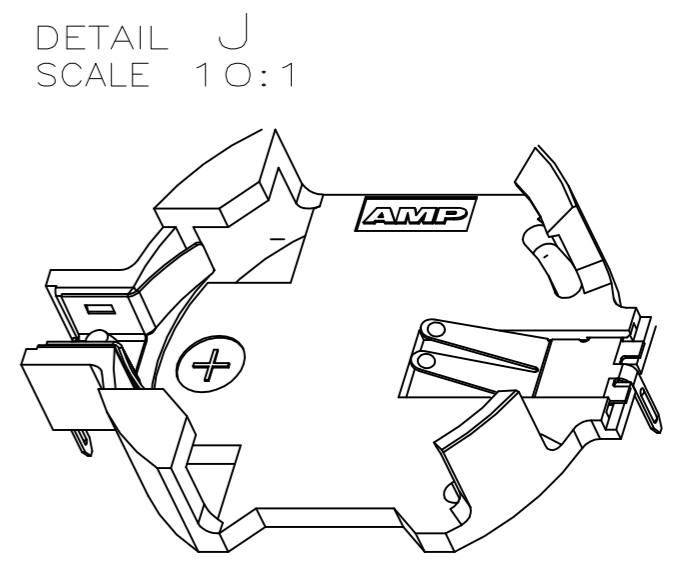
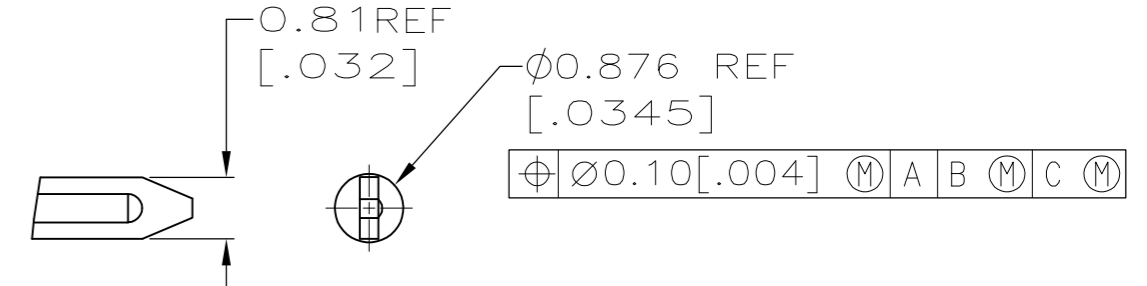


THIS DRAWING IS UNPUBLISHED. RELEASED FOR PUBLICATION
 © COPYRIGHT - By - ALL RIGHTS RESERVED.

LOC		DIST		REVISIONS			
GP	00	P	LTR	DESCRIPTION	DATE	DWN	APVD
		H		REVISED PER ECR-13-000366	10JAN13	E.L	X.X



- ① HOUSING MATERIAL: PBT, GLASS FILLED, UL-94V-0 FLAME CLASS RATING. COLOR: BLACK.
 - ② CONTACTS: PHOSPHOR BRONZE, PRE TIN COATED 0.0015-0.0040 [0.00059-.000157] THICK.
 - 3. CONNECTOR ACCEPTS BATTERY #CR2032.
 - ④ DATUMS AND BASIC DIMENSIONS ESTABLISHED BY CUSTOMER.
 - ⑤ REFERENCE BASE OF FOUR STANDOFFS FOR DATUM A.
 - ⑥ CONTACTS: PHOSPHOR BRONZE, 0.03µm [1.2µMCH] MIN GOLD AT MATING INTERFACE AREA, 2-5µm [80-200µMCH] TIN AT SOLDER AREA, BOTH OVER 1.3µm [50µMCH] NICKEL MIN ON ENTIRE SURFACE.
 - ⑦ OBSOLETE PARTS: OBSOLETE CIS STREAMLINING PER D.RENAUD/D.SINISI
 - ⑧ HOUSING MATERIAL: LCP, HIGH TEMPERATURE, UL-94V-0 COLOR: BLACK.
- SEE DETAIL J



勝特力電材超市-龍山店 886-3-5773766
 勝特力電材超市-光復店 886-3-5729570
 勝特力电子(上海) 86-21-34970699
 勝特力电子(深圳) 86-755-83298787
<http://www.100y.com.tw>

⑦	OBSOLETE	— TRAY	120591-4	②	⑧
	OBSOLETE	— TRAY	120591-3	①	⑥
	OBSOLETE	— TUBE	120591-2	①	②
		TRAY	120591-1	①	②
		PACKAGING			PART NUMBER

THIS DRAWING IS A CONTROLLED DOCUMENT.		DWN	J. REED	8/26/97	TE Connectivity ASSEMBLY, BATTERY CONNECTOR, TOP LOAD		
DIMENSIONS: mm		CHK	V. RUMINSKI	8/26/97			
TOLERANCES UNLESS OTHERWISE SPECIFIED:		APVD	V. RUMINSKI	8/26/97			
0 PLC ± - 1 PLC ± - 2 PLC ± 0.13 [.005] 3 PLC ± - 4 PLC ± - ANGLES ± 0° 30'		PRODUCT SPEC	108-1691	NAME			
MATERIAL	FINISH	WEIGHT	-	SIZE	CAGE CODE	DRAWING NO	RESTRICTED TO
		CUSTOMER DRAWING		A2	00779	C=120591	-
			SCALE	3:1	SHEET	1 of 1	REV
							H