

THIS DRAWING IS UNPUBLISHED.

RELEASED FOR PUBLICATION

LOC

DIST

REVISIONS

© COPYRIGHT 2000

ALL RIGHTS RESERVED.

P	LTR	DESCRIPTION	DATE	DWN	APVD
	A3	REVISED PER ECO-11-005140	05APR2011	RK	HMR

勝特力電材超市-龍山店 886-3-5773766
 勝特力電材超市-光復店 886-3-5729570
 勝特力電子(上海) 86-21-34970699
 勝特力電子(深圳) 86-755-83298787
<http://www.100y.com.tw>

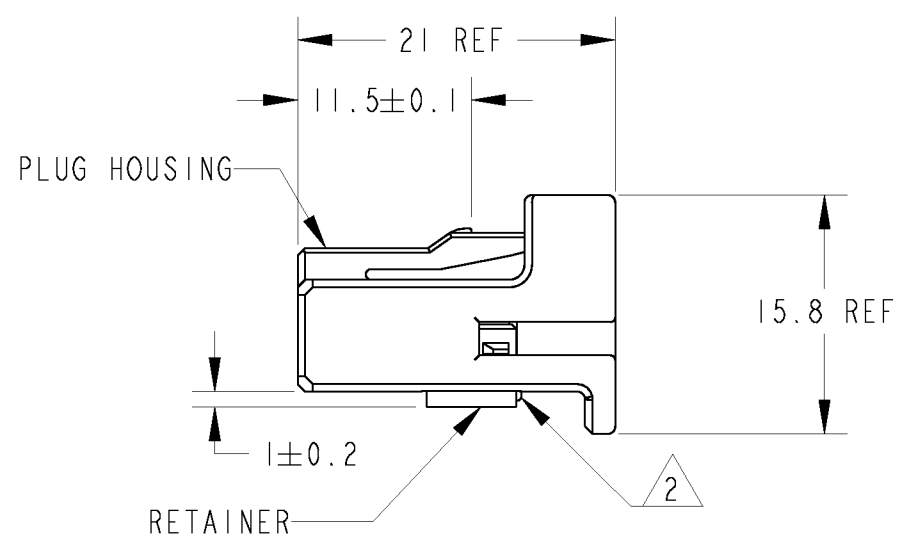
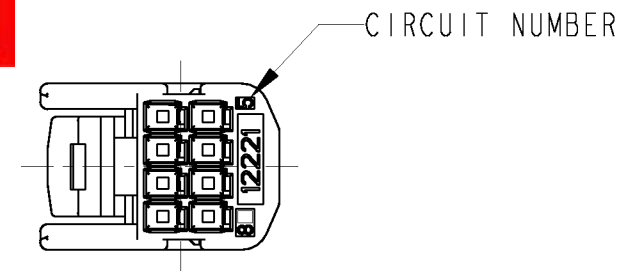
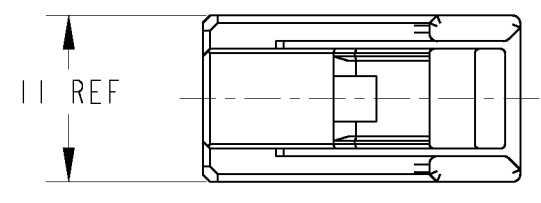
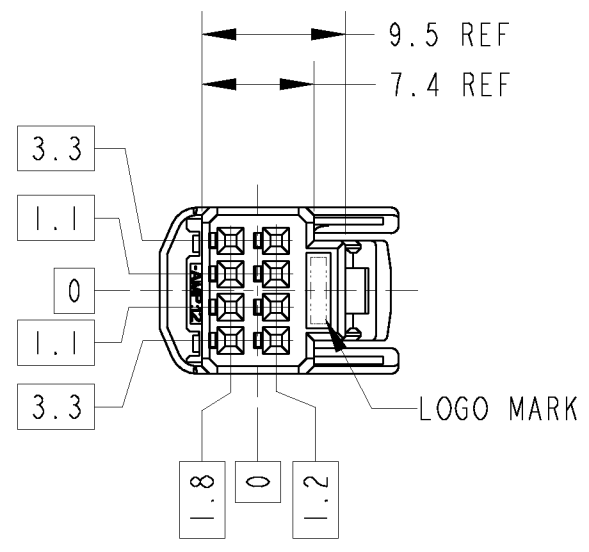


TABLE-1

POS. 極数	CAP ASSEMBLY P/N
8	1376350
	1473793

TABLE-2


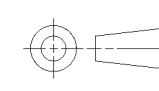
	FINISH めっき	TERMINAL P/N 端子型番	APPLICABLE WIRE RANGE 適用電線
SIGNAL 025	TIN	1123343-1	AVSS/AVSSH-f/AESSX 0.3~0.5mm ²
	SELECTIVE GOLD	1123343-2	CAVS/CAVUS 0.22~0.5mm ²

PACKING STYLE 梱包形態	COLOR	PART NUMBER
PAPER BOX ダンボール	BLACK	1376352-2
PLASTIC BAG ビニール袋	NATURAL	1376352-1
OUTER 外装	INNER 内装	

- RETAINER SHOULD BE SET TO THE PRE-ASSEMBLY POSITION WITHIN THE PLUG HOUSING WHEN SHIPPED TO THE CUSTOMER.
- △ THE RETENSION LATCH OF THE PLATE MUST BE OUT SIDE OF PLUG HOUSING WHEN PRE-ASSEMBLY.
- RETAINER RETENSION FORCE FROM HOUSING;30N MIN.
- INSTRUCTION SHEET NO.411-5928
- PART NO. OF CAP HOUSING TO BE MATED ; SEE TABLE-1
- APPLIED TERMINAL ; SEE TABLE-2

- プラグハウジングにリテーナを仮止めして出荷される。
- △ 仮係止時リテーナ突起がハウジングの外側に出ていること。
- リテーナの仮係止保持力は30N MIN.
- 取扱説明書NO. 411-5928
- 嵌合相手ハウジング型番 ; TABLE-1参照
- 適用端子 ; TABLE-2参照

THIS DRAWING IS A CONTROLLED DOCUMENT.

DIMENSIONS: 単位: ㎜	TOLERANCES UNLESS OTHERWISE SPECIFIED: 一般公差 = ± 0.3	DWN N. YASUDA 05JUL00	 TE Connectivity NAME 025 SERIES I/O CONNECTOR 8POSITION PLUG HOUSING ASSEMBLY
	0-PLC ±	CHK N. SAI 06JUL00	
	1-PLC ±0.5	APVD N. SAI 06JUL00	
	2-PLC ±0.13	PRODUCT SPEC 108-5668	
MATERIAL 材料 PBT	FINISH 仕上 NATURAL	APPLICATION SPEC 取付適用規格 114-5250	SIZE A3
		WEIGHT 1.6 g	CAGE CODE 00779
			DRAWING NO C=1376352
			RESTRICTED TO
			SCALE 尺度 2:1
			SHEET 1 OF 1
			REV A3

CUSTOMER DRAWING

Mouser Electronics

Authorized Distributor

Click to View Pricing, Inventory, Delivery & Lifecycle Information:

[TE Connectivity:](#)

[1376352-1](#)