

THIS DRAWING IS UNPUBLISHED.

RELEASED FOR PUBLICATION

20

LOC J

DIST -

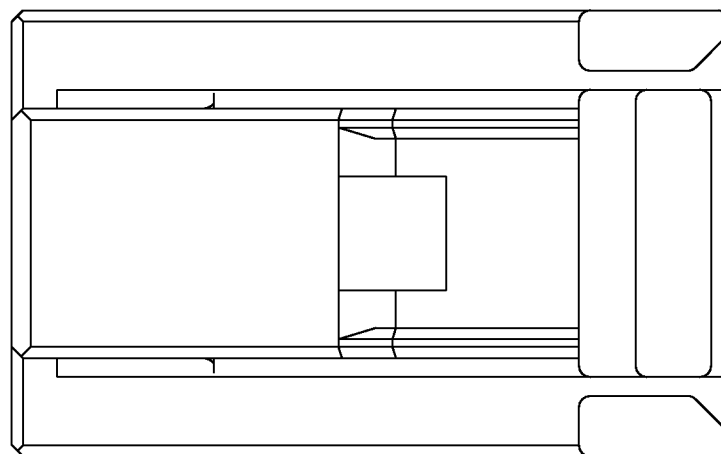
REVISIONS

© COPYRIGHT 20

ALL RIGHTS RESERVED.

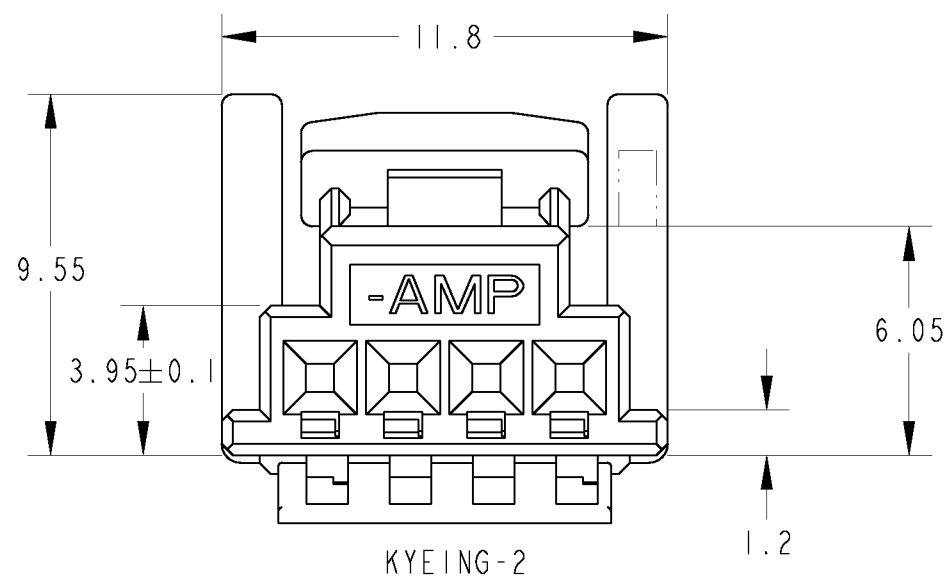
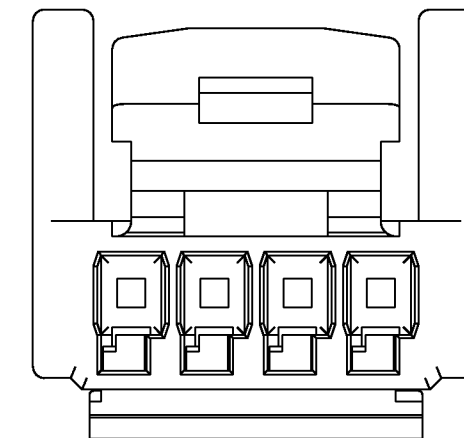
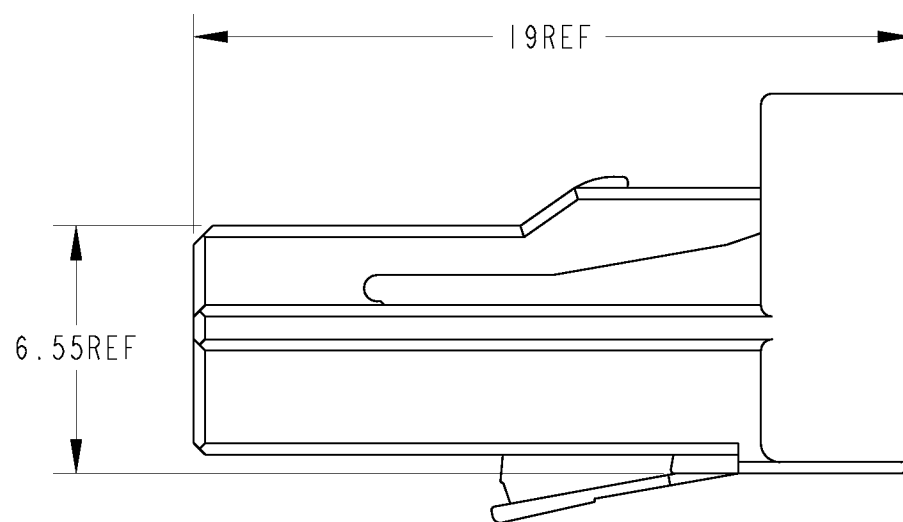
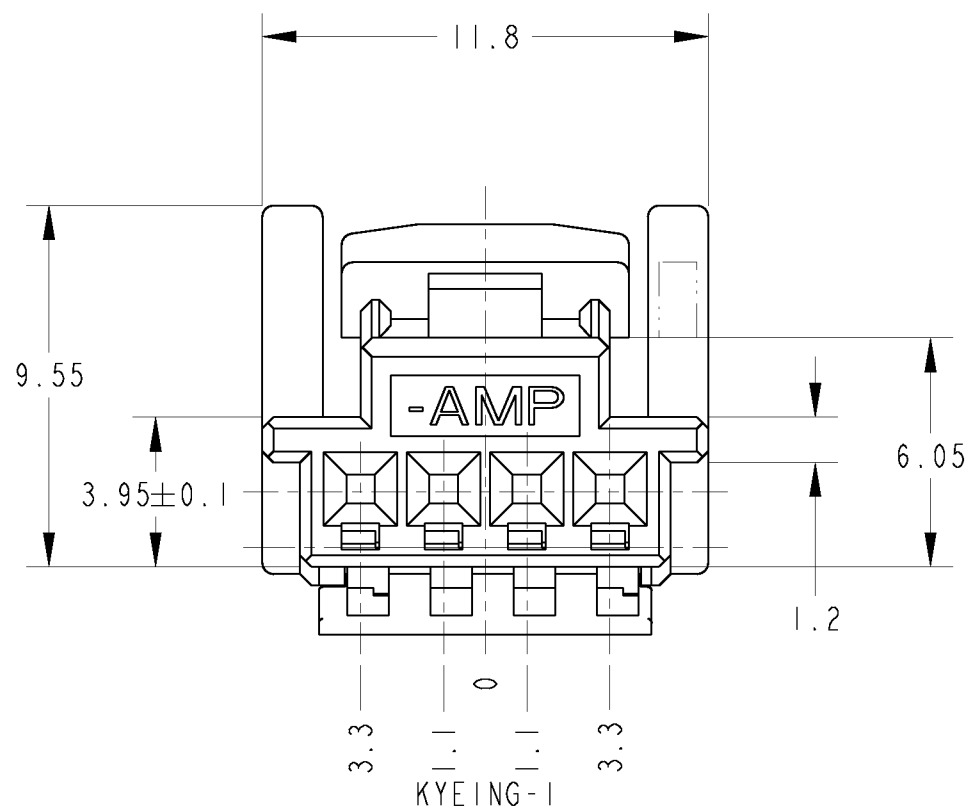
P	LTR	DESCRIPTION	DATE	DWN	APVD
	B1	REVISED PER ECO-11-005140	05APR2011	RK	HMR

勝特力電材超市-龍山店 886-3-5773766
 勝特力電材超市-光復店 886-3-5729570
 勝特力電子(上海) 86-21-34970699
 勝特力電子(深圳) 86-755-83298787
<http://www.100y.com.tw>




1. DOUBLE LOCK SHOULD BE SET TO THE PRE-ASSEMBLY POSITION WITHIN THE PLUG HOUSING WHEN SHIPPED TO THE CUSTOMER

1. ダブルロックは、仮係止状態で出荷される。



KYEING-2	GRAY	1473672-2
KYEING-1	NATURAL	1473672-1
KYEING	COLOR	PART NUMBER

THIS DRAWING IS A CONTROLLED DOCUMENT.		DWN D. MATSUURA 20NOV01	 TE Connectivity	
DIMENSIONS: 単位: ㎜ mm		CHK T. KOHNO 20NOV01		
TOLERANCES UNLESS OTHERWISE SPECIFIED: 一般公差 ±0.3		APVD N. SAI 20NOV01	NAME 名称 025 4POSITION PLUG HOUSING	
0-PLC ±		PRODUCT SPEC 製品規格 108-5660	SIZE A3	
1-PLC ±0.1		APPLICATION SPEC 取付適用規格 -	CAGE CODE 00779	DRAWING NO 番号 C=1473672
2-PLC ±0.01		WEIGHT 1.0 g	RESTRICTED TO -	
3-PLC ±0.001		MATERIAL 材料 PBT	SCALE 尺度 5:1	
4-PLC ±0.000			SHEET 1 OF 1	
ANGLES ±1.00'		FINISH 仕上 -		REV B1
CUSTOMER DRAWING		SCALE 尺度 5:1 SHEET 1 OF 1 REV B1		

Mouser Electronics

Authorized Distributor

Click to View Pricing, Inventory, Delivery & Lifecycle Information:

[TE Connectivity:](#)

[1473672-2](#)