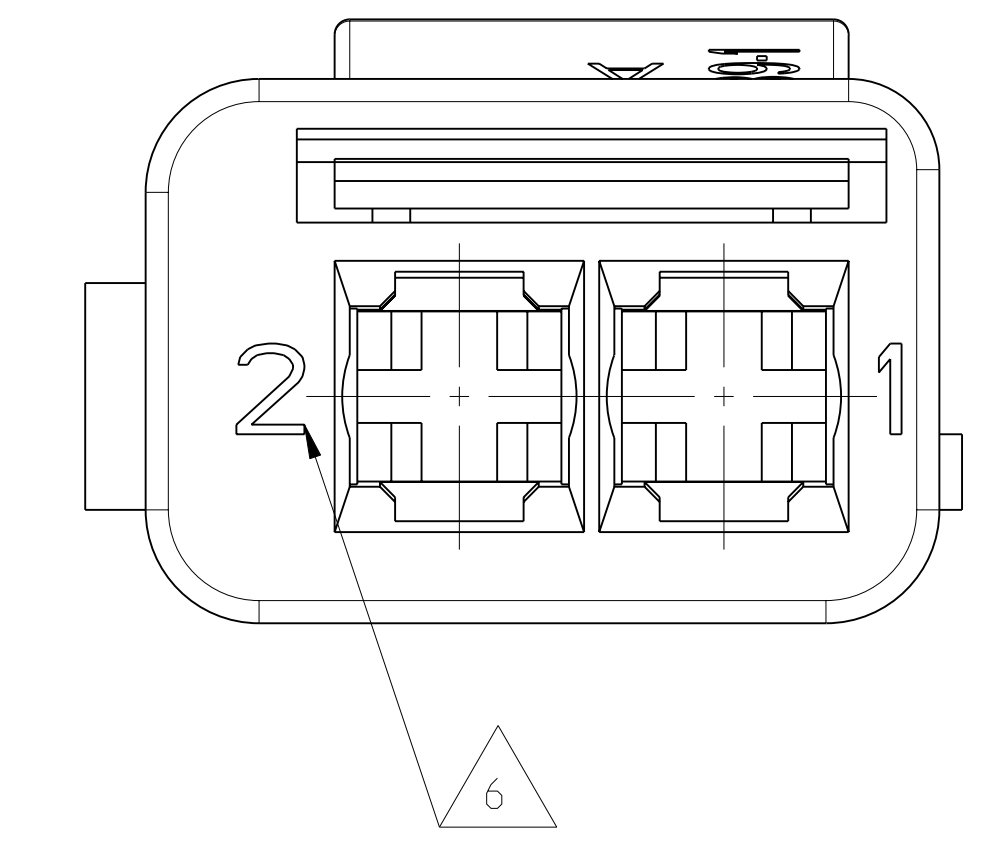
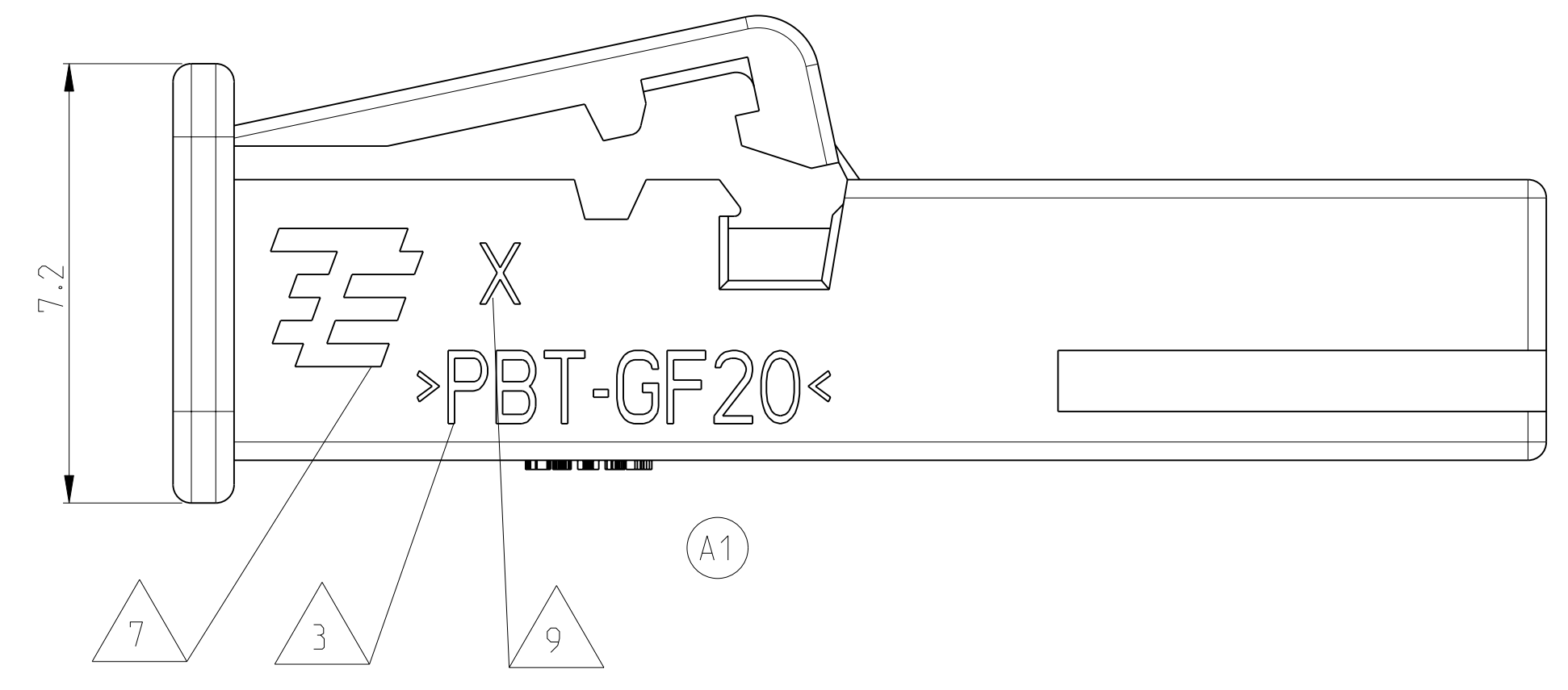
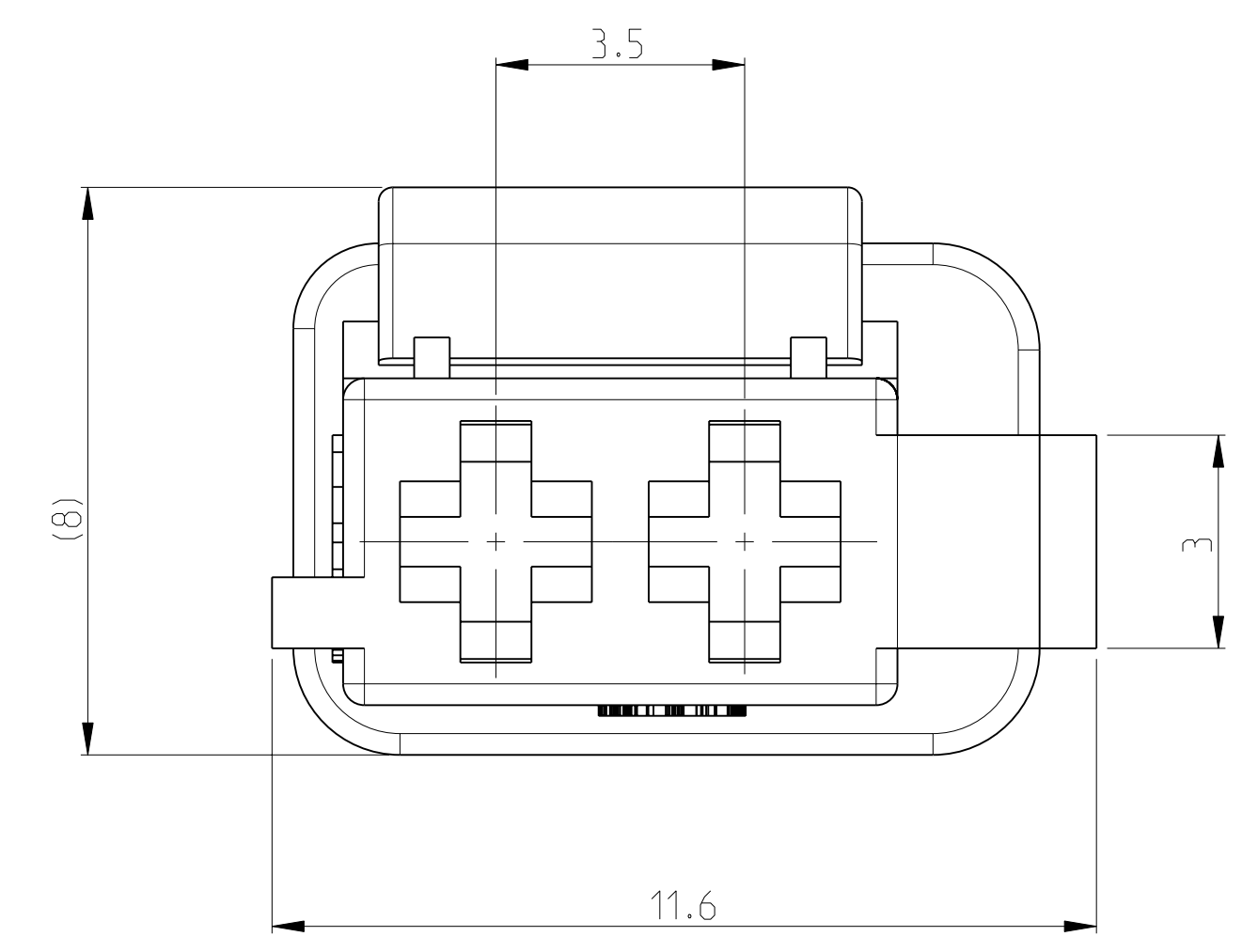
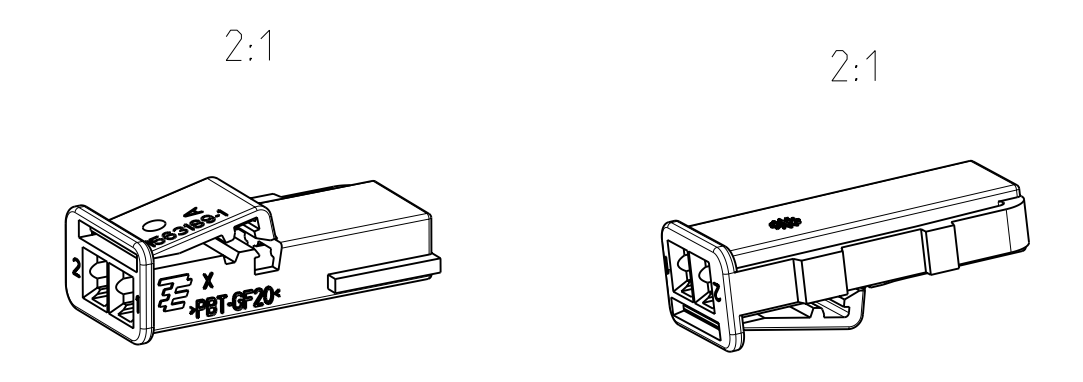
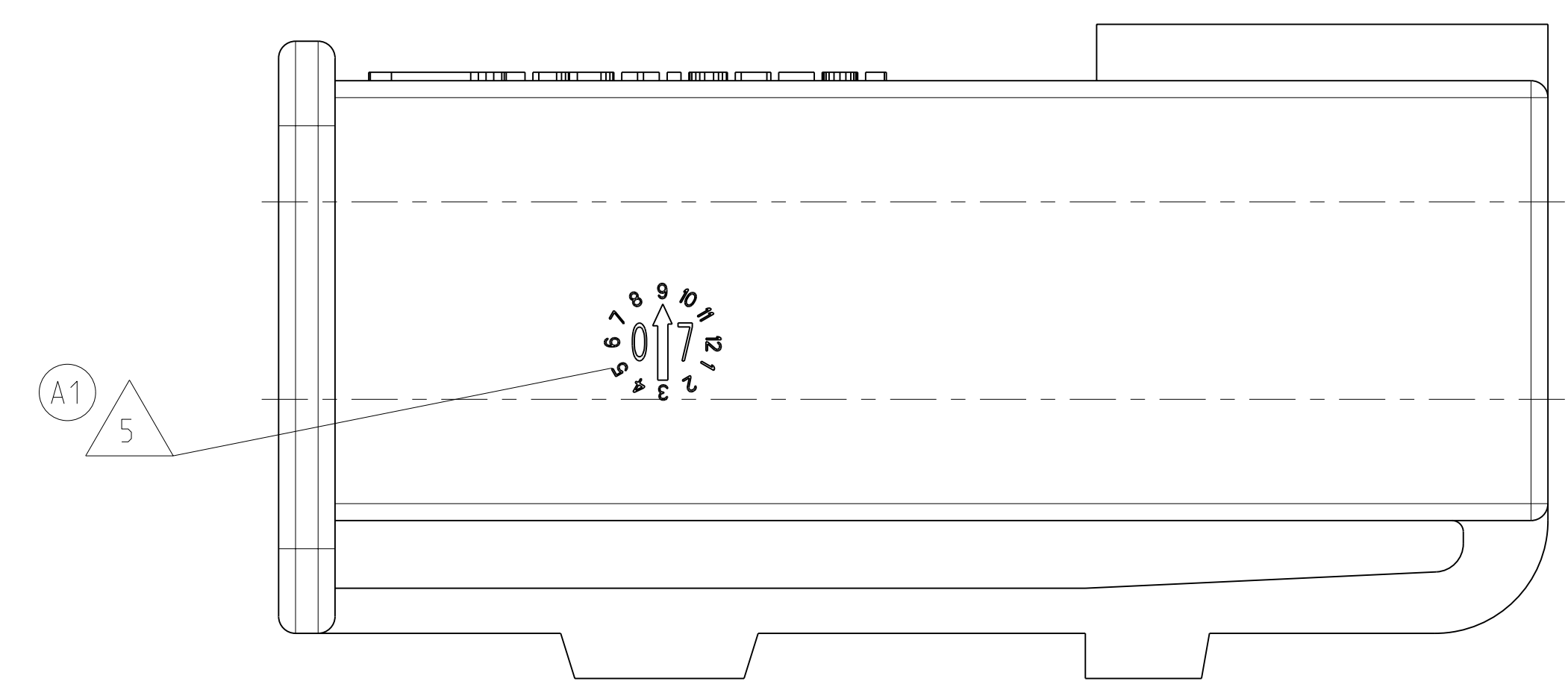
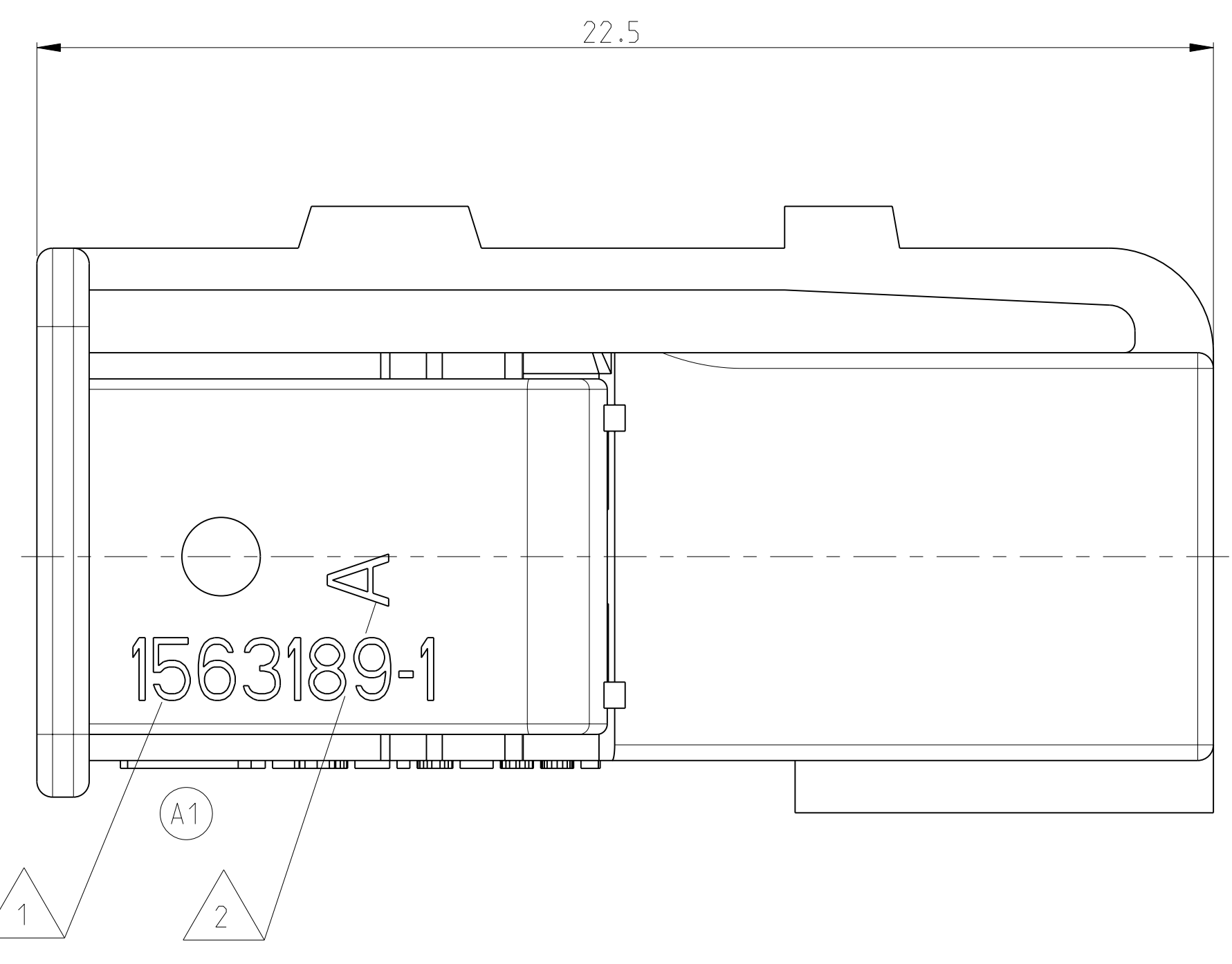
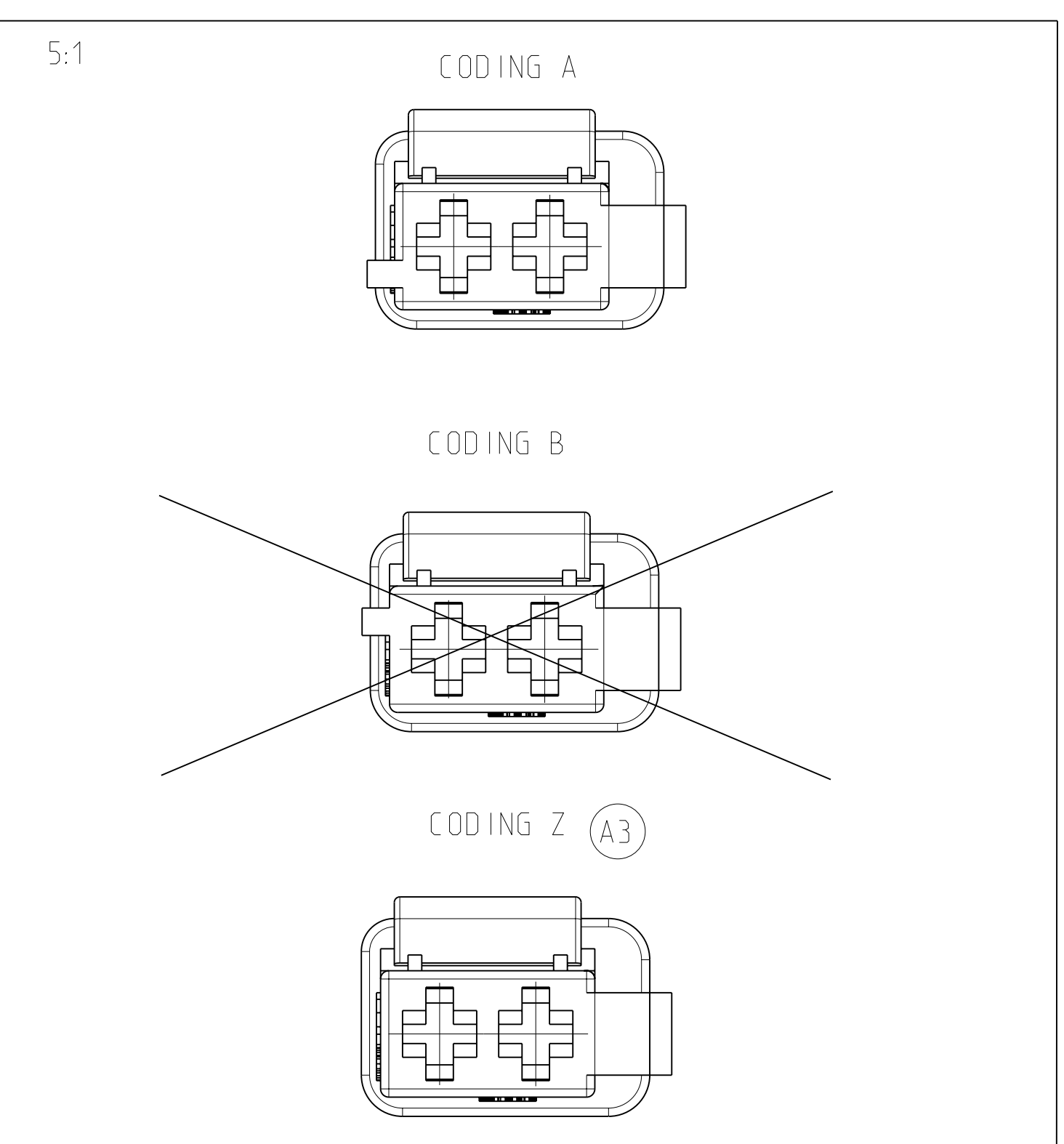


REV. NO.	DESCRIPTION	DATE	BY	APP'D
A1	SEE E-08-012925	27MAY2008	CA	VB
A2	SEE E-08-016252	27JUN2008	CA	VB
A3	SEE E-08-018637	24JUL2008	CA	VB
A4	SEE E-10-019775	23SEP2010	SK	AK

勝特力材料 886-3-5753170
 勝特力电子(上海) 86-21-34970699
 勝特力电子(深圳) 86-755-83298787
 Http://www.100y.com.tw



- NOTES
BEMERKUNGEN
- NV NOTE NOT VALID
Bemerkung nicht verwendet
 - 1 ORDER NUMBER
BESTELL-NUMMER
 - 2 REVISION NUMBER
WERKZEUGÄNDERUNGSINDEX
 - 3 MATERIAL MARKING
WERKSTOFFKENNZEICHNUNG
 - NV GM LOGO
GM Logo
 - 5 PRODUCTION DATE
PRODUKTIONSdatum
 - 6 CONTACT CAVITY NUMBER
KONTAKTKAMMERNUMMER
 - 7 TE LOGO
TE Logo
 - 8 PACKAGING: BULK MATERIAL IN CARDBOARD BOX
VERPACKUNG: SCHÜTTGUT IN KARTON
 - 9 TOOL CAVITY MARKING
NESTMARKIERUNG



A4	114-18987	SCHNITTSTELLENZEICHNUNG Interface Drawing
	929103	2 Pos. TAB 1.6x0.6 TAB-Hsg.
	1563190	2 Pos. TAB 1.6x0.6, TAB-Hsg.
	TE BESTELL-NR. TE ORDER NO.	BENENNUNG DESCRIPTION
	COUNTERPARTS GEGENSTECKER	

GM NO	TE ORDER NO STRIP FORM	WIRE RANGE MM ²	MATERIAL	FINISH
13106617	0-1241844-2	1.5	CuFe 2	PRETINNED
13106617	0-0964263-2	0.5-1.0	CuFe 2	PRETINNED
13106617	0-0964261-2	0.35-0.5	CuFe 2	PRETINNED

RECOMMENDED CONTACT SYSTEM: MICRO TIMER 2 TYPE A; UNSEALED
 FOR CABLE INSULATION TYPE FLR ACC. DIN 72551 / ISO 6722 MAX. WIRE SIZE 1.5mm²
 MAX. CABLE INSULATION CRIMP DIAMETER 2.9mm
 FOR CABLE INSULATION TYPE TXL ACC. SAE J128 MAX. WIRE SIZE 1.0mm² OR MAX AWG 18
 THE USE OF OTHER CABLE TYPES MUST BE CHECKED IN ANY INDIVIDUAL CASE!

ABBR. NO	PART NO	PART NO	REV	DESCRIPTION	COLOR	MATERIAL	WEIGHT (g)	ITEM NO
F2-48	24414864	0-1563189-3	A	2 Pos. MT2, Rec-Hsg. CODZ	NATUR	PBT-GF20	0.9	1
-	-	0-1563189-2	A	2 Pos. MT2, Rec-Hsg. CODB	Hbd	PBT-GF20	0.9	1
GF2-50	19179871	0-1563189-1	A	2 Pos. MT2, Rec-Hsg. CODA	BLACK	PBT-GF20	0.9	1

DIMENSIONS: mm		TOLERANCES UNLESS OTHERWISE SPECIFIED:		DWN: C. Angeli 29 JUN 2007		Tyco Electronics AMP GmbH 64625 Bensheim (Germany)	
9 PLC	±0.5	2	±0.5	APVD	29 JUN 2007	2 Pos. MT2, Rec. Hsg.	
1 PLC	±0.5	3	±0.5	NAME		-	
2 PLC	±0.5	APPLICATION SPEC		SIZE		-	
3 PLC	±0.5	114-18901		CAGE CODE		-	
4 PLC	±0.5	114-18901		DRAWING NO		-	
ANGLES	±1°	114-18901		REV		-	
MATERIAL	-	114-18901		CUSTOMER DRAWING		-	
FINISH	-	114-18901		SCALE		5:1	
				SHEET		1 OF 1	
				REV		A4	

Mouser Electronics

Authorized Distributor

Click to View Pricing, Inventory, Delivery & Lifecycle Information:

[TE Connectivity:](#)

[1563189-1](#)