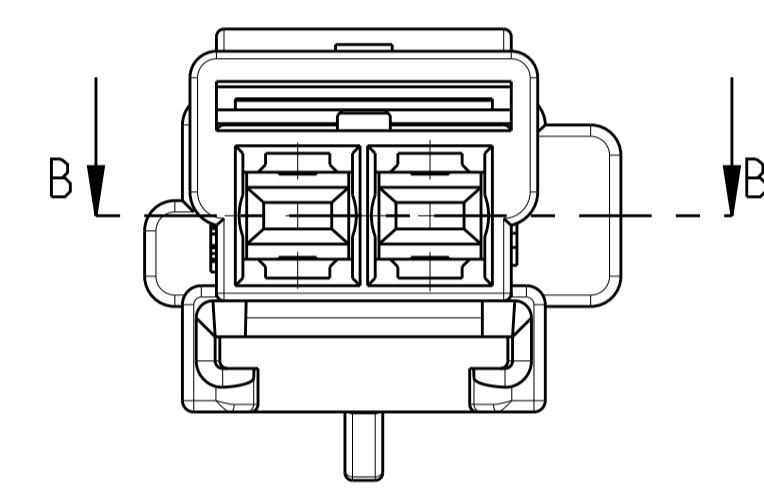
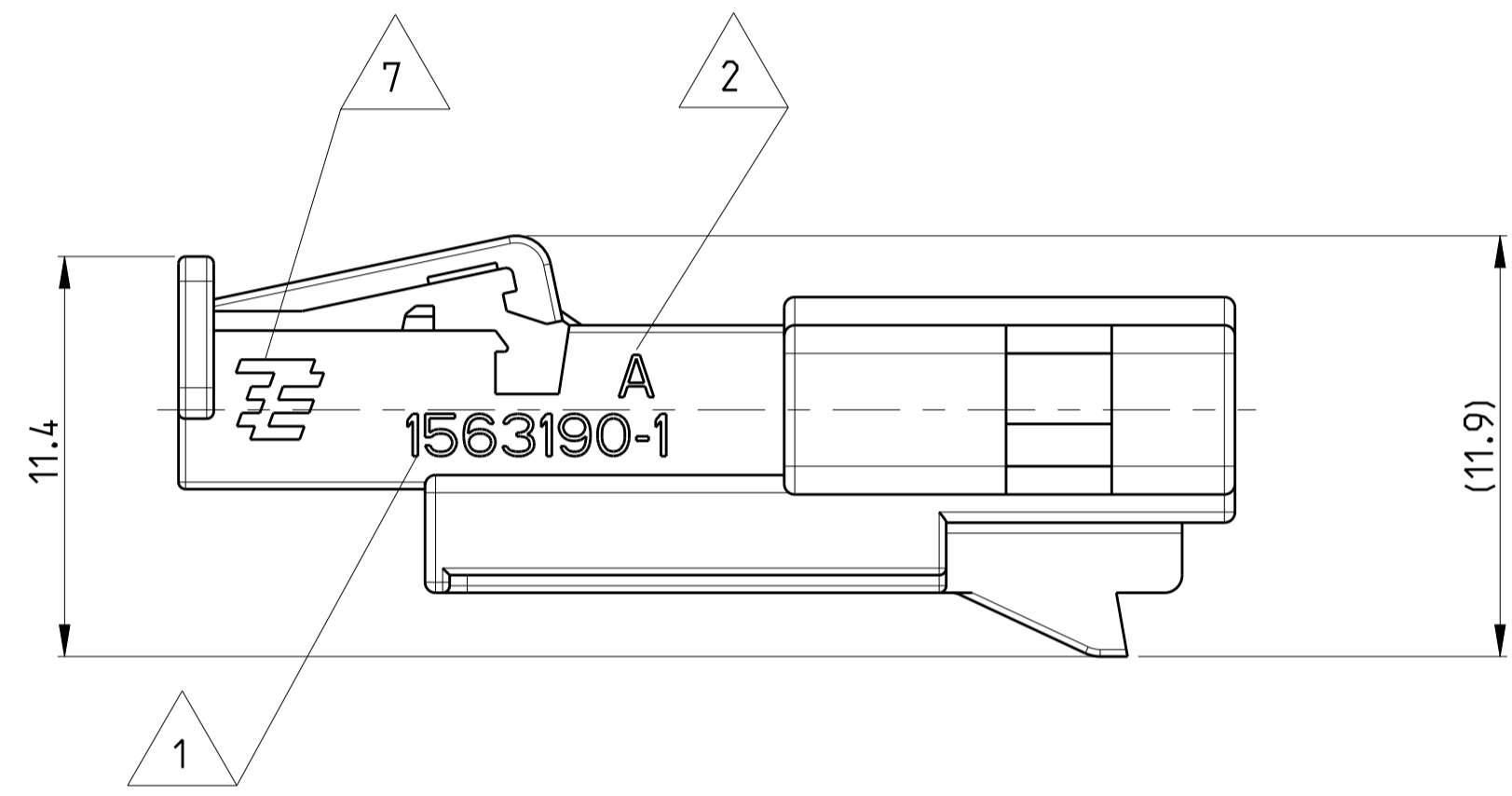
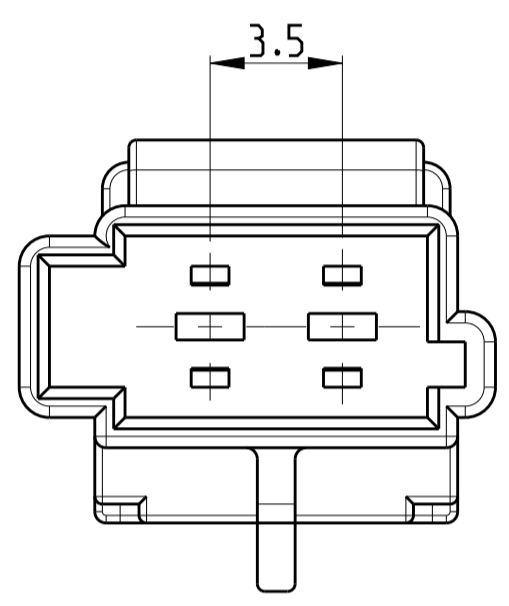
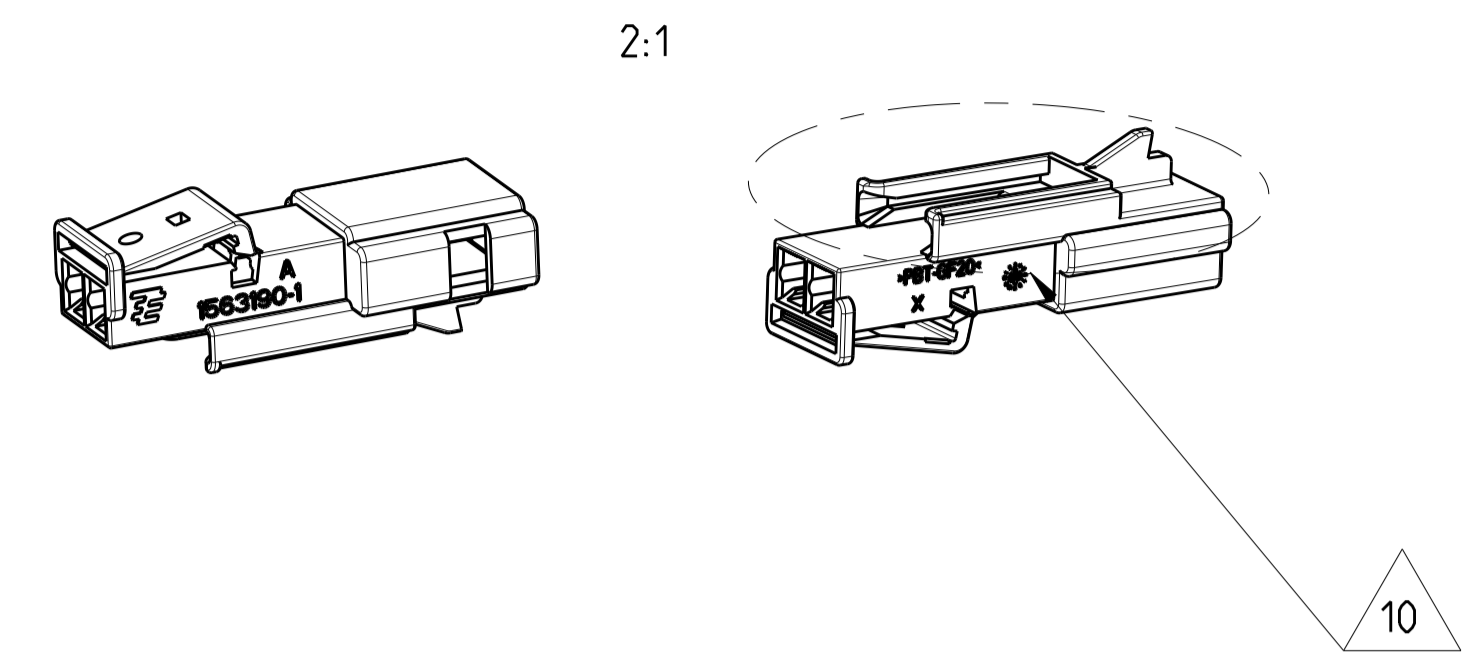
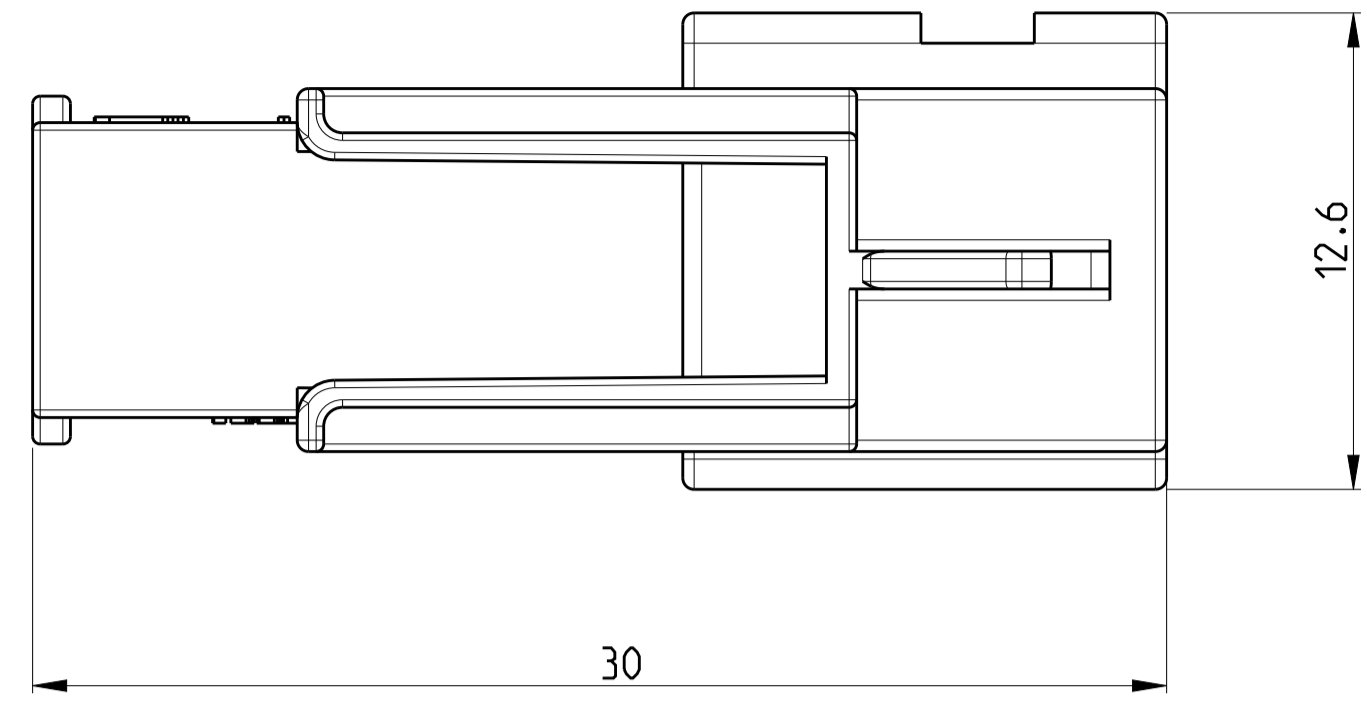


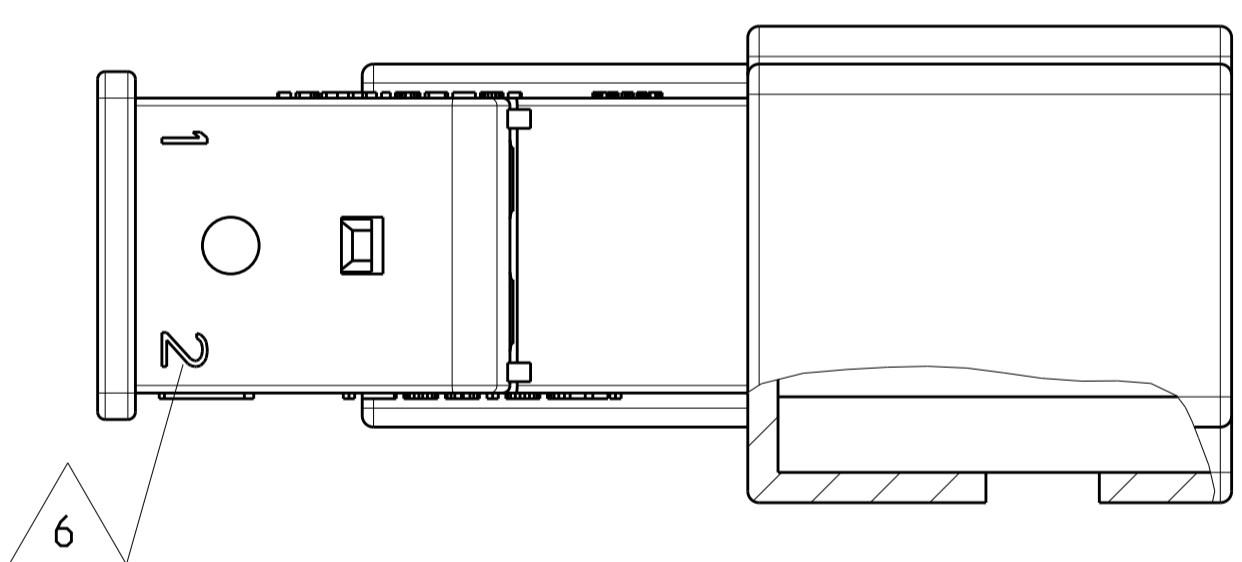
PROJECT NO.	LOC	DIST	REVISIONS					
EGATN07138	A1	-	P	LTR	DESCRIPTION	DATE	DWN	APVD
	A1				SEE E-08-012925	27MAY2008	CA	VB
	A2				SEE E-12-013952	03AUG2012	SK	AK

勝特力材料 886-3-5753170  
 勝特力电子(上海) 86-21-34970699  
 勝特力电子(深圳) 86-755-83298787  
 Http://www.100y.com.tw

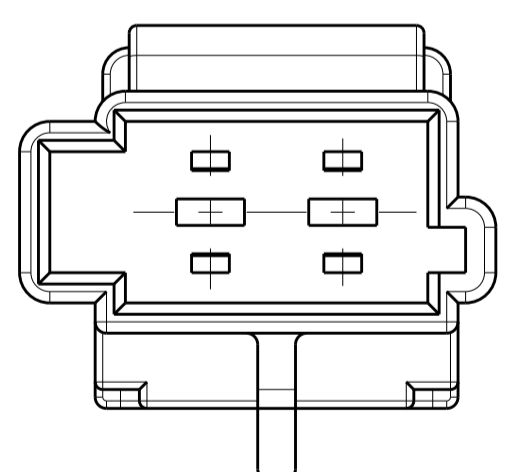


- NOTES  
 BEMERKUNGEN
- NV NOTE NOT VALID  
 Bemerkung nicht verwendet
  - 1 ORDER NUMBER  
 BESTELL-NUMMER
  - 2 REVISION NUMBER  
 WERKZEUGÄNDERUNGSINDEX
  - 3 MATERIAL MARKING  
 WERKSTOFFKENNZEICHNUNG
  - NV GM LOGO  
 GM Logo
  - 5 PRODUCTION DATE  
 PRODUKTIONSdatum
  - 6 CONTACT CAVITY NUMBER  
 KONTAKTKAMMERNUMMER
  - 7 TE LOGO  
 TE Logo
  - 8 PACKAGING: BULK MATERIAL IN CARDBOARD BOX  
 VERPACKUNG: SCHÜTTGUT IN KARTON
  - 9 TOOL CAVITY MARKING  
 NESTMARKIERUNG
  - 10 SLOT FOR GM 13257300 (ZUH 360)  
 Aufnahme fuer GM 13257300 (ZUH 360)

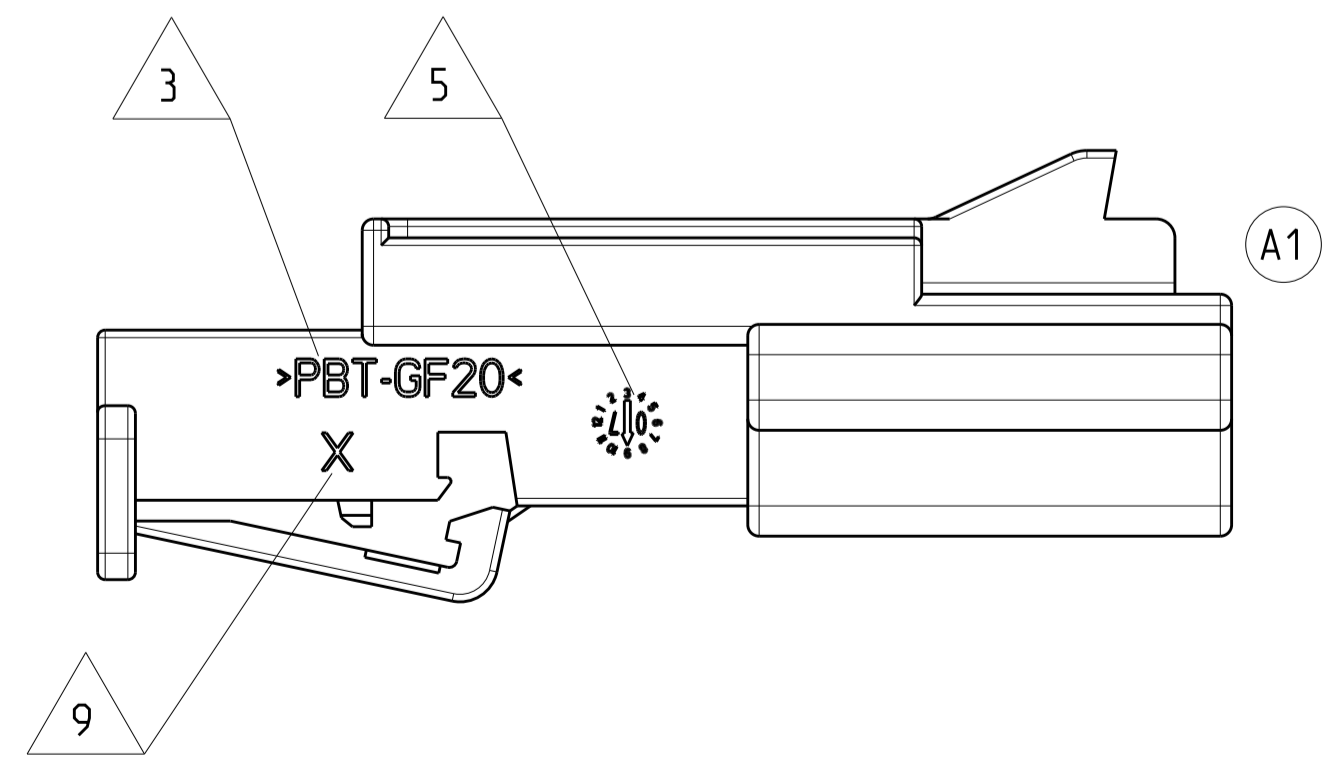
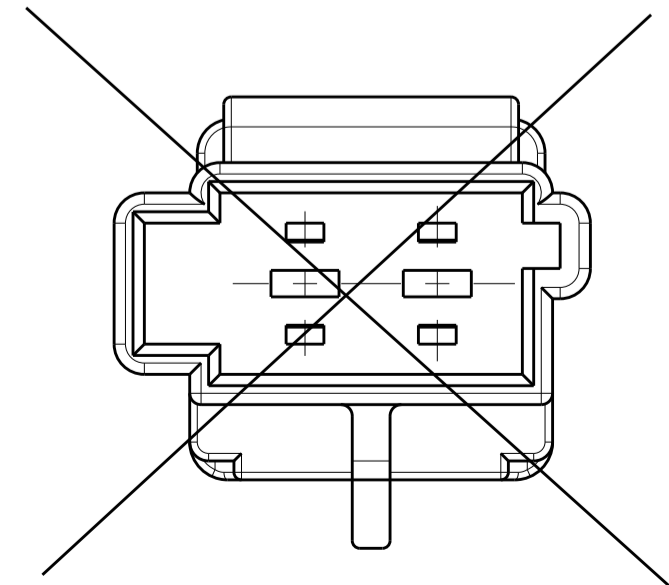
B-B



CODING A



CODING B



A1	0-1452140-3	2 Pos. MT2, Rec-Hsg.
	1-0962580-1	2 Pos. MT2, Rec-Hsg.
	0-1563189-1	2 Pos. MT2, Rec-Hsg.
TE BESTELL-NR. TE ORDER NO.	BENENNUNG DESCRIPTION	
COUNTERPARTS GEGENSTECKER		

A2	0-1241846-2	1.5	CuFe 2	PRETINNED
	0-0964267-2	0.5-1.0	CuFe 2	PRETINNED
	0-0964265-2	0.35-0.5	CuFe 2	PRETINNED
TE ORDER NO STRIP FORM	WIRE RANGE MM <sup>2</sup>	MATERIAL	FINISH	

RECOMMENDED CONTACT SYSTEM: MICRO TIMER 2 TYPE A; UNSEALED  
 FOR CABLE INSULATION TYPE FLR ACC. DIN 72551 / ISO 6722 MAX. WIRE SIZE 1.5mm<sup>2</sup>  
 MAX. CABLE INSULATION CRIMP DIAMETER 2.9mm  
 FOR CABLE INSULATION TYPE TXL ACC. SAE J1128 MAX. WIRE SIZE 1.0mm<sup>2</sup> OR MAX AWG 18  
 THE USE OF OTHER CABLE TYPES MUST BE CHECKED IN ANY INDIVIDUAL CASE!

-	0-1563190-2	A	2 Pos. TAB 1.6x0.6. TAB-Hsg. CODB	hbd	PBT-GF20	1.3	1
19179872	0-1563190-1	A	2 Pos. TAB 1.6x0.6. TAB-Hsg. CODA		BLACK	PBT-GF20	1.3
CUSTOMER PART NO	PART NO	REV	DESCRIPTION		COLOR	MATERIAL	WEIGHT [g]
							ITEM NO

THIS DRAWING IS A CONTROLLED DOCUMENT. DWN 29 JUN 2007  
 C. Anghel  
 CHK A. Ketteler 29 JUN 2007

DIMENSIONS: mm  
 TOLERANCES UNLESS OTHERWISE SPECIFIED:  
 0 PLC ±0.3  
 1 PLC ±0.3  
 2 PLC ±0.3  
 3 PLC ±0.3  
 4 PLC ±0.3  
 ANGLES ±°  
 FINISH ±μm

MATERIAL: -

PRODUCT SPEC: 108-94.118  
 APPLICATION SPEC: 116-18901

NAME: 2 Pos. 1.6x0.6. TAB Hsg.  
 SIZE: A1  
 CAGE CODE: 00779  
 DRAWING NO: C=1563190

RESTRICTED TO: -

SCALE: 5:1 SHEET 1 OF 1 REV: A2

# Mouser Electronics

Authorized Distributor

Click to View Pricing, Inventory, Delivery & Lifecycle Information:

[TE Connectivity:](#)

[1563190-1](#)