

THIS DRAWING IS UNPUBLISHED.

RELEASED FOR PUBLICATION

20

© COPYRIGHT 20

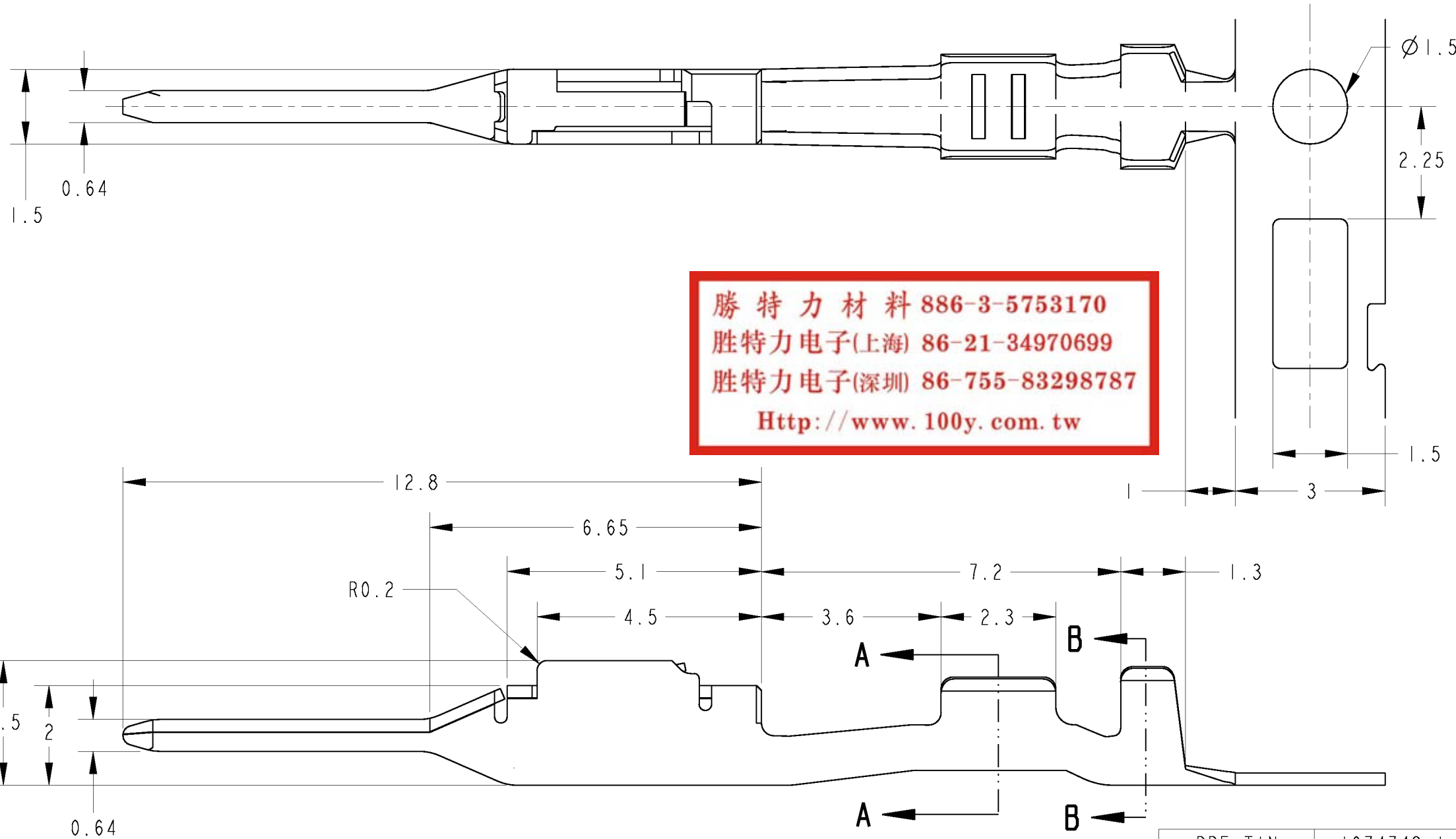
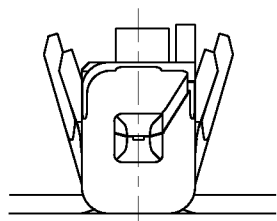
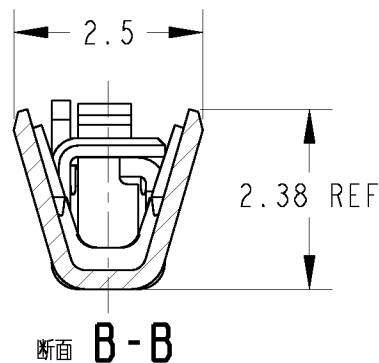
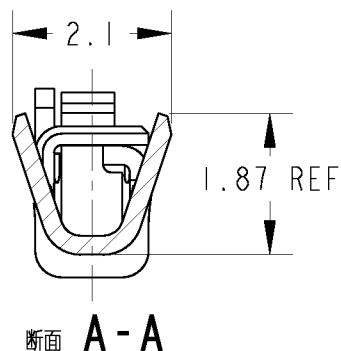
ALL RIGHTS RESERVED.

LOC J

DIST -

REVISIONS

P	LTR	DESCRIPTION	DATE	DWN	APVD
P		REVISED PER ECO-11-005140	02APR2011	RK	HMR



勝特力材料 886-3-5753170
 勝特力电子(上海) 86-21-34970699
 勝特力电子(深圳) 86-755-83298787
[Http://www.100y.com.tw](http://www.100y.com.tw)

- 1. 適用電線; AVSS, CAVS, CAVUS, AVSSH-f 0.3~0.5mm²
- 2. アプリケータ送りピッチ; 7.5mm

- 1. APPLICABLE WIRE RANGE;
AVSS, CAVS, CAVUS, AVSSH-f 0.3~0.5mm²
- 2. APPLICATOR FEED; 7.5mm

THIS DRAWING IS A CONTROLLED DOCUMENT.

DIMENSIONS: 単位: ㎜	TOLERANCES UNLESS OTHERWISE SPECIFIED: 一般公差 ±0.3
	0-PLC ±
	1-PLC ±0.5
	2-PLC ±0.13
	3-PLC ±0.013
	4-PLC ±0.001
	ANGLES ±3'00"
MATERIAL 材料 COPPER Alloy	FINISH 仕上 SEE TABLE

DWN S. FURUYA 19-JUN-03	CHK T. KOHNO 19-JUN-03	APVD K. SHIMIZU 19-JUN-03
PRODUCT SPEC 製品規格		
APPLICATION SPEC 取付適用規格		
114-5340	WEIGHT 0.2g	
CUSTOMER DRAWING		

PRE-TIN FINISH	1674742-1 PART NO.
----------------	--------------------

WIRE RANGE 包合電線断面積 0.37~0.56mm ²	INSULATION DIA 被覆外径 Ø1.1~1.7
--	---------------------------------



NAME 名称 025 TH TAB CONTACT

SIZE A3	CAGE CODE 00779	DRAWING NO 番号 C=1674742	RESTRICTED TO
---------	-----------------	-------------------------	---------------

SCALE 尺度 10:1	SHEET 1 OF 1	REV P
---------------	--------------	-------

Mouser Electronics

Authorized Distributor

Click to View Pricing, Inventory, Delivery & Lifecycle Information:

[TE Connectivity:](#)

[1674742-1](#)