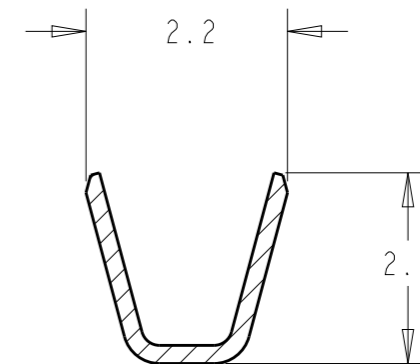
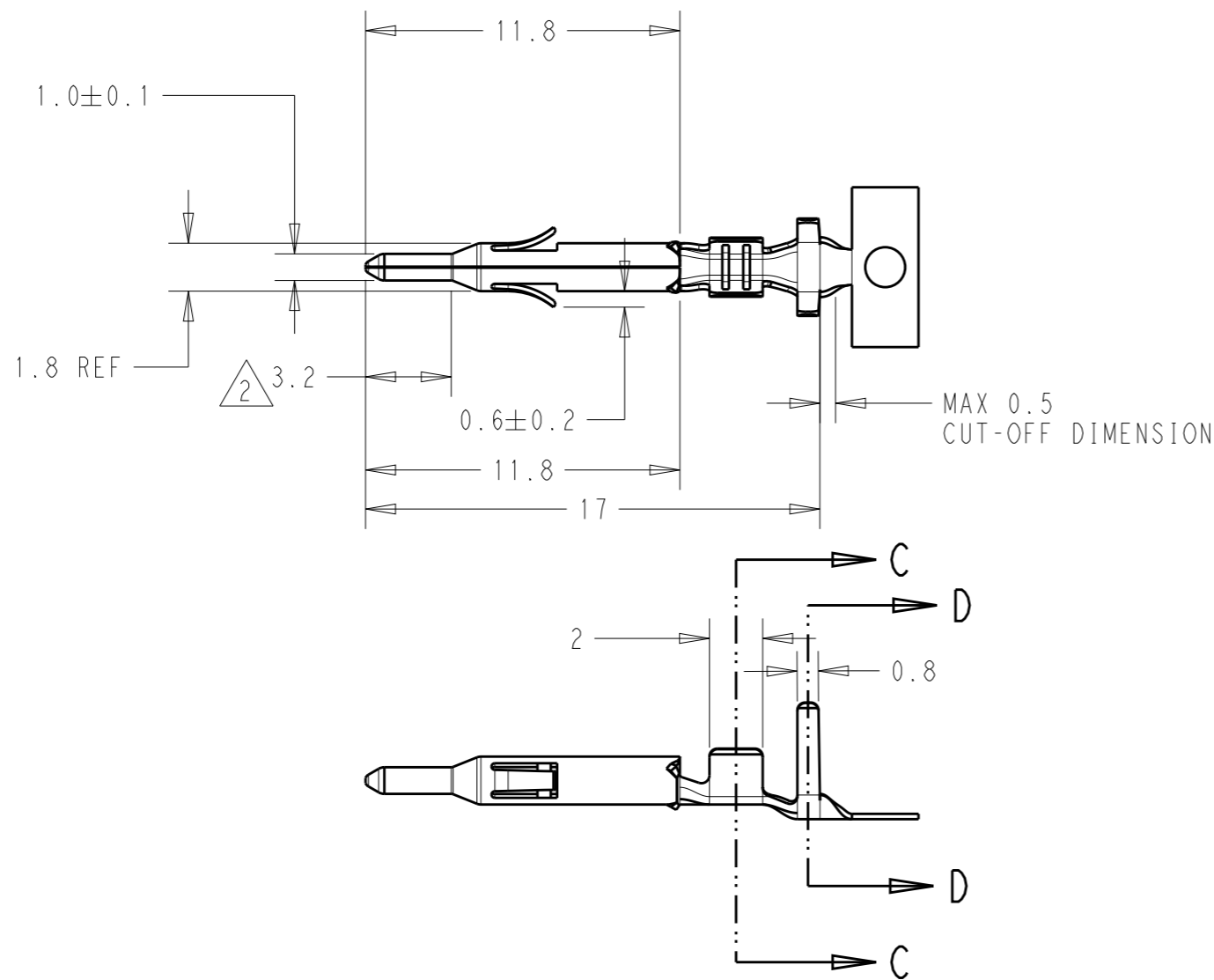
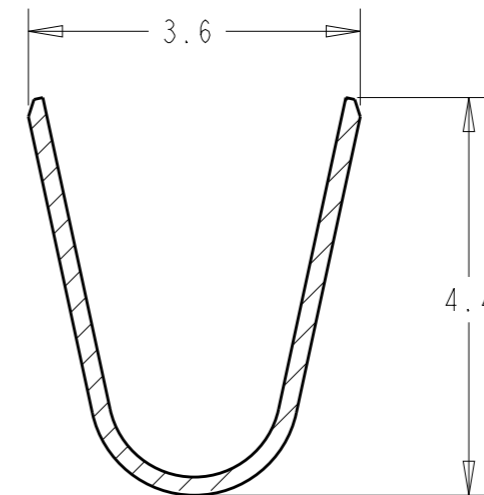


P	LTR	DESCRIPTION	DATE	DWN	APVD
	L	REVISED PER ECO-19-005751	26SEP2019	RS	SG



SECTION C-C  
SCALE 12:1



SECTION D-D  
SCALE 12:1

1. THIS CONTACT IS USED ON EITHER PLUG AND CAP HOUSING

2 0.00076mm MIN THICK GOLD-PLATED IN THE CONTACT SECTION TO 3.2mm FROM TIP END, OVER NICKEL UNDERPLATE ALL OVER

3. WIRE RANGE: 22-18 AWG  
INSULATION DIA: 1.5-2.4mm

4. APPLICABLE INSULATION DIA MAX FOR TWO WIRE CRIMP IS 3.4mm MAX

勝特力電材超市-龍山店 886-3-5773766  
勝特力電材超市-光復店 886-3-5729570  
勝特力電子(上海) 86-21-34970699  
勝特力電子(深圳) 86-755-83298787  
<http://www.100y.com.tw>

170361, 170362, 170365, 170366	TIN/PHOS BRONZ	170364-4	170360-4
	GOLD/BRASS 3	170364-3	170360-3
	TIN/BRASS	170364-1	170360-1
MATING P/N	FINISH/MATERIAL	LOOSE PIECE P/N	PART NUMBER

THIS DRAWING IS A CONTROLLED DOCUMENT.		DWN R. SMITH 26SEP2019												
DIMENSIONS: mm		CHK S. WRIGHT 26SEP2019												
TOLERANCES UNLESS OTHERWISE SPECIFIED:		APVD S. WRIGHT 26SEP2019												
<table border="1"> <tr><td>0 PLC</td><td>±0.3</td></tr> <tr><td>1 PLC</td><td>±0.3</td></tr> <tr><td>2 PLC</td><td>±</td></tr> <tr><td>3 PLC</td><td>±</td></tr> <tr><td>4 PLC</td><td>±</td></tr> <tr><td>ANGLES</td><td>±</td></tr> </table>		0 PLC			±0.3	1 PLC	±0.3	2 PLC	±	3 PLC	±	4 PLC	±	ANGLES
0 PLC	±0.3													
1 PLC	±0.3													
2 PLC	±													
3 PLC	±													
4 PLC	±													
ANGLES	±													
MATERIAL SEE TABLE		FINISH SEE TABLE	NAME MINI UNIVERSAL MATE-N-LOK PIN CONTACT											
CUSTOMER DRAWING		SCALE 4:1	SHEET 1 OF 1	REV L										

411-5105(was IS-105J)

Rev. A1

Instruction Sheet

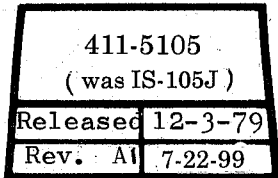
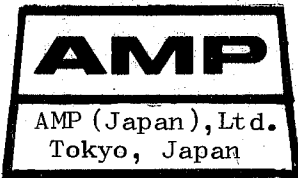
(取扱説明書)

Mini-Universal MATE-N-LOK Connector

(ミニ・ユニバサル・メイトン・ロック・コネクタ)

Following first 8 pages are English version and last 8 pages are Japanese version. This top sheet is not part of the specification but explains both of English and Japanese versions are available.

このトップシートに続く最初の 8 ページは英語版で、その後の 8 ページは日本語版です。このトップシートは、規格には含まれませんが、英語、日本語両方があることを説明しています。



Instruction Sheet

(RFA-1027)  
FJ00-1301-99

Introduction:

This instruction sheet covers product application and assembly procedure for Mini-Universal MATE-N-LOK\* Connectors. Read the contents carefully before you start assembly.

1. Descriptions of Product:

The connectors of this product line are of small type, pluggable, having single or multipole contact configurations, being suitable to termination of equipment where repeated insertion/extraction is required. In this product line, housings of free-hanging and panel-mounting types are available, besides hermaphroditic, free-hanging type housing, having high resistible performance against arc tracking over the connector. Pin contacts and socket contacts are encapsulated in cap housing and plug housing, except for use with hermaphroditic type housings.

1-1. Contact:

The contacts consisting of pin contact and socket contact, are used accordingly with proper selection of wire sizes, material and finish of contacts, as shown in Table 1.

Wire Conductor mm <sup>2</sup> (AWG)	Size Insulation Diameter (mm)	Tool Cat. No.		Contact Catalog Number			
		Appli- cator	Hand Tool	Pin Contact Strip	L.P.	Socket Contact Strip	L.P.
0.12-0.35 (#26-22)	1.2 - 1.75	722791	//	170359	//	170361	//
		//	724649	//	170363	//	170365
0.3 - 0.89 (#22-18)	1.5 - 2.4	722792	//	170360	//	170362	//
		//	724651	//	170364	//	170366
0.5 - 1.30 (#20-16)	2.0 - 3.2	753958	//	171636	//	171637	//
		//	753808	//	171638	//	171639
Two-Wire Crimp (AWG #22) 0.31mm <sup>2</sup> X 2 Wires	1.5/1.7mm X 2	722792	//	170360	//	170362	//
0.34mm <sup>2</sup> X 2 Wires		//	724651	//	170364	//	170366
Two-Wire Crimp (AWG #20) 0.51mm <sup>2</sup> X 2 Wires	2.4mm X 2	753958	//	171636	//	171637	//
		//	753808	//	171638	//	171639

Table 1

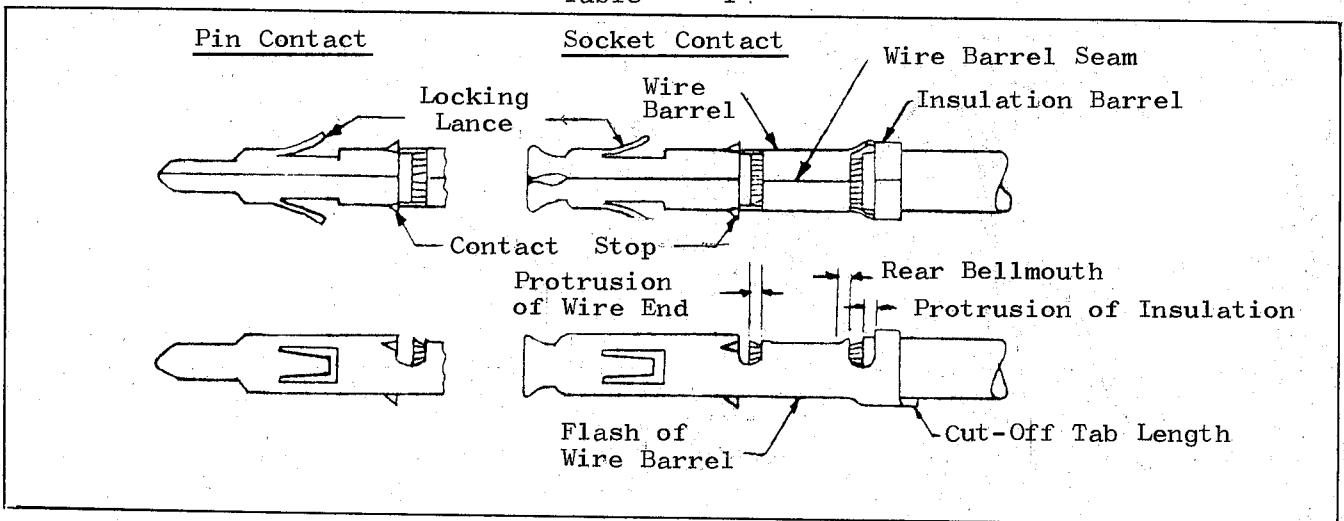


Figure 1

**1-2 Housing:**

Select the housing size and type according to your requirements of application. What you should consider about selection are: connector type i.e. free-hanging or panel mounting, number of positions, flame retardant grades i.e. UL 94V-0 or UL 94V-2 and the color of housing.

Select proper housing number you are to use, from Table 2.

Hsg. Type No. of Pos.	Cap		Housing		Plug Housing		Hermaphroditic Type Free-Hanging	Housing No. Vs. Color Codes
	Panel-Mounting		Free-Hanging		UL94V-0	UL94V-2		
	UL94V-0	UL94V-2	UL94V-0	UL94V-2				
1	//	//	172156	172327	172164	172335	//	Natural: XXXXXX-1 Red: 1-XXXXXX-2 Green: 1-XXXXXX-5 Blue: 1-XXXXXX-6 Black: 1-XXXXXX-9
2	172157	172328	172233	172343	172165	172336	172807	
3	172158	172329	172234	172344	172166	172337	172808	
4	172159	172330	//	//	172167	172338	172809	
6	172160	172331	//	//	172168	172339	//	
9	172161	172332	//	//	172169	172340	//	
12	172162	172333	//	//	172170	172341	//	
15	172163	172334	//	//	172171	172342	//	

Table 2

Remarks: Plug housings are commonly applicable to both panel-mounting type and free-hanging type.

Hermaphroditic type housings are used by mating two same part number housings together.

**Example of Selection:**

Part numbers of cap housing and plug housing, 3-position, panel-mounting type, blue and UL94V-0 housing material are obtained as follows:

Cap Housing: 1-172158-6      Plug Housing: 1-172166-6

Note: Because of hygroscopic characteristics of nylon material, the amount of the moisture absorbed in housing is dependant upon the atmosphere where housings are stored and used due to the changes of atmospheric humidity conditions.

This has much to do with material property characteristics, resulting decrease of flexibility on locking legs and mounting ears to some degrees especially in dry and cold season of the year in a certain climate. Care must be taken to prevent them from degradation, by avoiding exposure under severe changes of atmospheric temperature-humidity conditions.

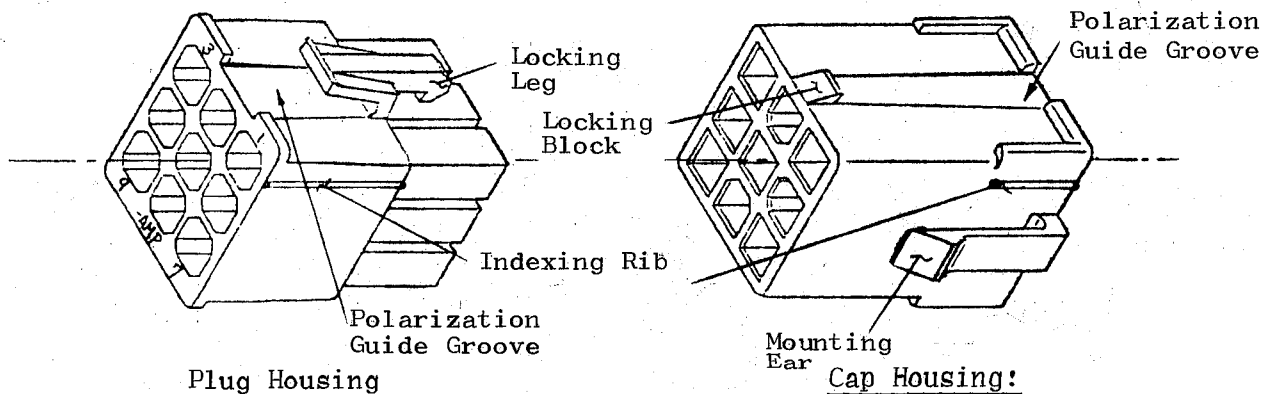


Fig. 2

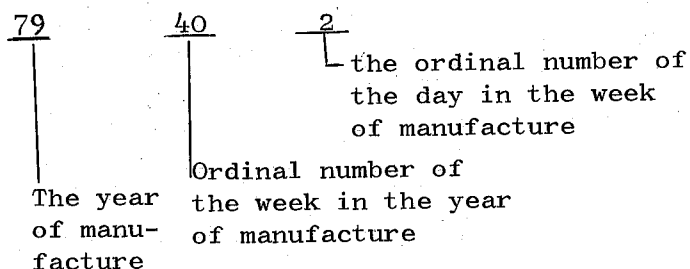
1.3 Quality Control Provisions:

Before the delivery, all the products are inspected by AMP to prove acceptable in accordance with the procedure under statistical quality control and lot control system. As a rule, a manufacturing date code is marked on each packing unit of the products. All the records of inspection and production system including machine and tooling set-up relative to production are kept in the files so that tracing back the history of manufacture is enabled with reference to the corresponding manufacturing date codes. Therefore, in case of malfunction of products, prompt correcting measures can be taken by engineering and manufacturing functions.

Example:

Harness	Semi-finished Crimped	Contact or Housing
7911161	54-1014	79106
7913091	54-4841	79054

a. Date code is determined by the following method:



Code	1	2	3	4	5	6	7
The Day of the Week	Sun.	Mon.	Tues.	Wed.	Thurs.	Fri.	Sat.

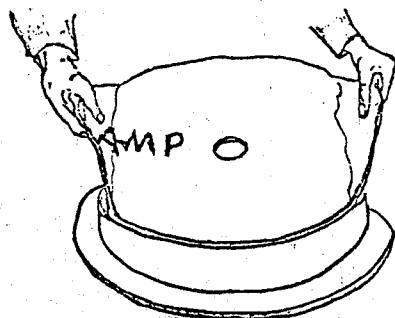
b. Die identification code (usually, figure 1, 2, or 3 .... are used) is necessarily put on each of product to identify the die with which the products were manufactured.

2. Crimping:

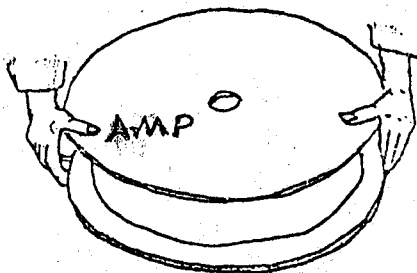
Perform crimping work in accordance with the applicable procedures by using AMP specified application tooling. Record the part number, date code marked on packaging of the products. This will aid the customer to trace back and identify the manufacturing history, when any malfunction of product should happen.

2.1 Storage and Handling of Products:

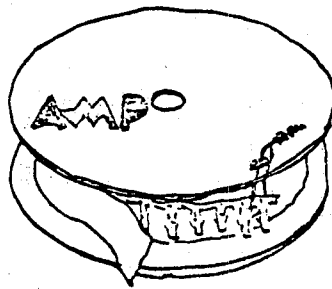
- a. Avoid leaving products out of a carton box (bag) to the utmost. If so, the product may have a chance of deterioration.
- b. Visually inspect and confirm that the products are not affected by discoloration and deformation, when the products are left in uncarefor area for a long time.
- c. Do not lift up the terminal reel by its upper flange only by hands as shown below, lest it should cause damage of reel. Lift up totally by lower flanges.



Wrong



Right



The end of strip must be tied to the reel side with proper string.

d. Never leave products in a humid place. It is desirable to store them in a clean and relatively dry area where the direct sunlight and severe changes of temperature and humidity are eliminated.  
(Normal temperature and humidity are known as 5 - 35°C and 45 - 85% , respectively.)

e. When the reel is not in use and replaced from the machine, the end of terminal strip should be tied to the reel side with proper string, and the reel must be put in a proper container for storage.

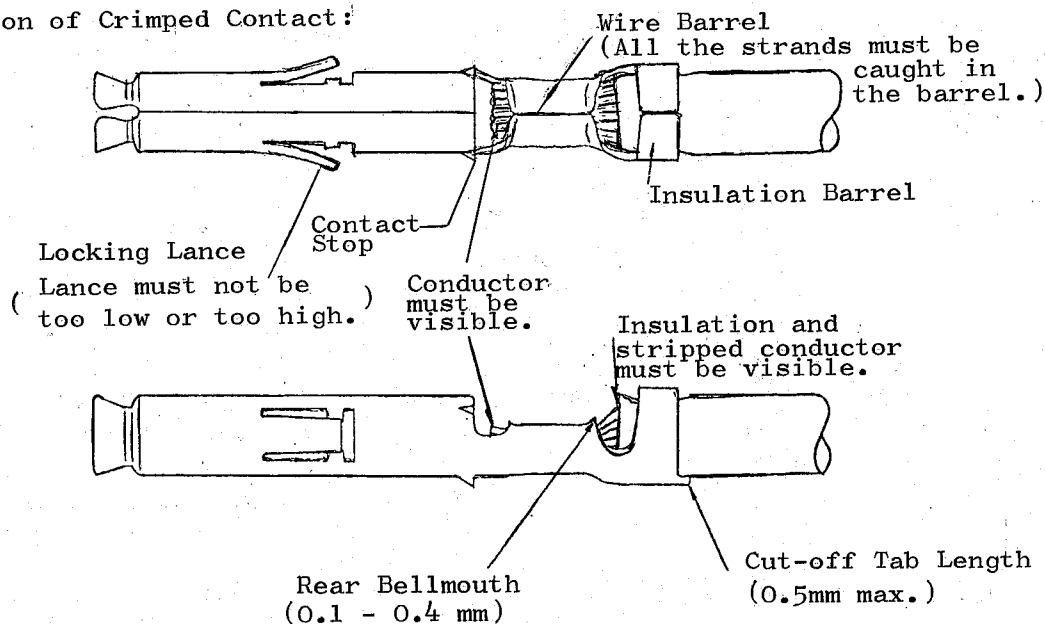
## 2.2 Crimping Work:

It is recommended to establish a customer's own method of control for crimping work, with the use of the following AMP prepared instruction sheets and product and application specifications.

### Procedure for Self-imposed Control of Hand Tools (1)

Customer Manual for Automachine	CM-22J
Customer Manual for Self-imposed Control of Terminal Crimping	CM-023J
Application Specification	114-5050
Inspection Procedure and Use of Micrometer	IS-7424
Product Specifications	108-5138(UL94V-0) 108-5151(UL94V-2)

### Configuration of Crimped Contact:



### 3. Inspection and Storing of Crimped In-process Products:

#### 3.1 Inspection:

With inspection of crimped in-process products, one crimped product is a unit to be inspected and one lot is a group of products crimped under the same conditions, that is, a group of products produced in the period between adjustments of crimping machine or in a specific day. It is recommended to perform inspections in accordance with Table 3 below.

Inspection	Time when an inspection is done	Inspection items
First Piece Inspection	On the initial set-up of applicator with the wire to be crimped	Appearance and dimensional inspections (All items listed in Table 4)
Lot Inspection	At the beginning of work every day	Same as above
	In the period of continuous production	Appearance inspections (All items) and dimensional inspections (4 items)

Table 3

	Inspection Check Points	Measuring Apparatus
Visual Inspection	1. Conductor cut and misgripping of conductor out side the wire barrel	Visual
	2. Defective crimp shape (Forming of bellmouth) (Protrusion of conductor)	"
	3. Defective bottom crimp shape (Burrs & Flash)	"
	4. Incomplete crimp of insulation barrel	"
	5. Defective configuration of contact portion	"
Dimensional Inspection	1. Dimension of cut-off tab	Vernier Callipers
	2. Dimension of lance	Vernier Callipers
	3. Deformed terminal (Bend, twisting, rolling)	Magnifying Glass
	4. Crimp height	Micrometer
	5. Rear bellmouth of crimp	Vernier Callipers

Table 4

#### 3.2 Storing:

- (a) The products must be stored in a clean place. They should be covered or wrapped with vinyl sheet to protect from contamination of dust and foreign particle, when they are required for tentative storage in an open area for the next work day.
- (b) Proper number of contact-crimped leads to be bundled into a group should not far exceed one hundred pieces. It is recommended to cover the crimped portion with a vinyl bag.
- (c) Piling a large number of crimped leads roughly causes entanglement and catching of contacts which often result functional malfunction of contacts by deformation.
- (d) When to separate each wire from a bundle, care should be taken not to damage and deform locking lances by forcing to separate from entanglement.

#### 4. Manufacturing of Harness:

##### 4.1 Insertion of Contacts into Housing:

- (a) Pin and socket contacts can be inserted in either plug or cap housing. Be sure to make a correct combination of contact types with respect to their contact positions, referring to the circuit numbers marked on housing.
- (b) Insert a contact from wire side of housing. On this side, circuit numbers are marked. For finding the circuit number 1 of panel-mounting type and free-hanging type housings, note the location of index rib where the number starts.
- (c) Insert a contact straight into housing cavity along the working axis of mating contacts. Never apply excessive bending and twisting force to the contacts at insertion and extraction.
- (d) Ascertain if loading of housing with contact is alright. When the locking is completed, the lance make a small clicking sound and wire inserting force decreases suddenly and wire becomes able to be rotated on its axis within the housing cavity. After insertion of contact, pull back the wire end slightly to ensure proper seating and correct locking of contact in housing position.

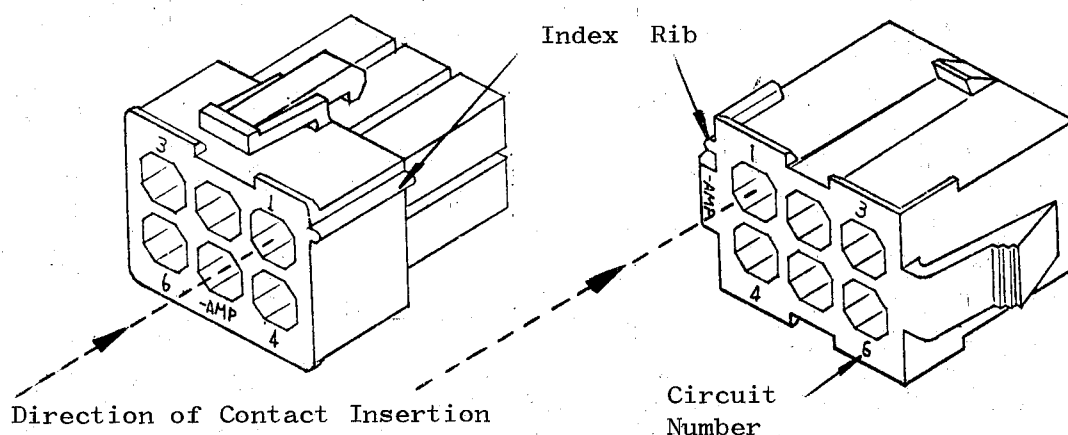


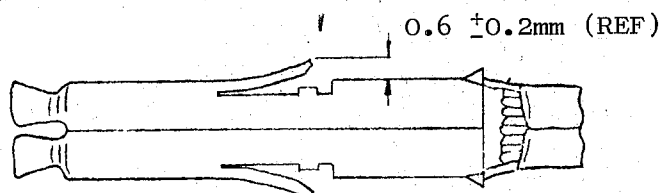
Fig. 4

Check to see if the assembling parts are normal without defects such as deformation of contact, abnormal shape of wire crimp, damaged locking lance or mounting ears etc. If any of these defects are found, correct or discard and replace with the normal parts.

- (f) When extraction of contact is required due to misposition of contact in housing, AMP specified extraction tool must be used to pull out the contact. When the extracted contact is needed to insert again into housing, dig up the bent and fallen locking lance with the use of screw driver to raise the shape right before insertion.

##### 4.2 Extraction of Contact:

Pushing wire toward front of housing, grasp the body of extraction tool and place sleeve of the tool over end of contact. Rotating the tool slightly, push sleeve straight into cavity until it bottoms. Push the push button to extract contact from housing. (Refer to IS-108J for use of extraction tool.)

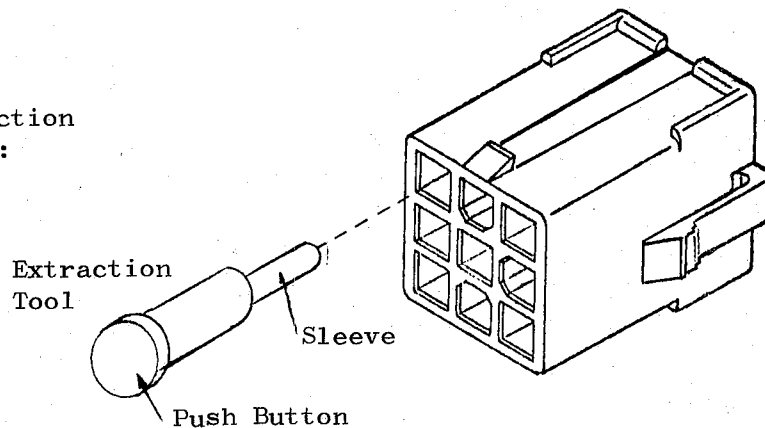


Applicable Extraction  
Tool Part Number:

724668-1

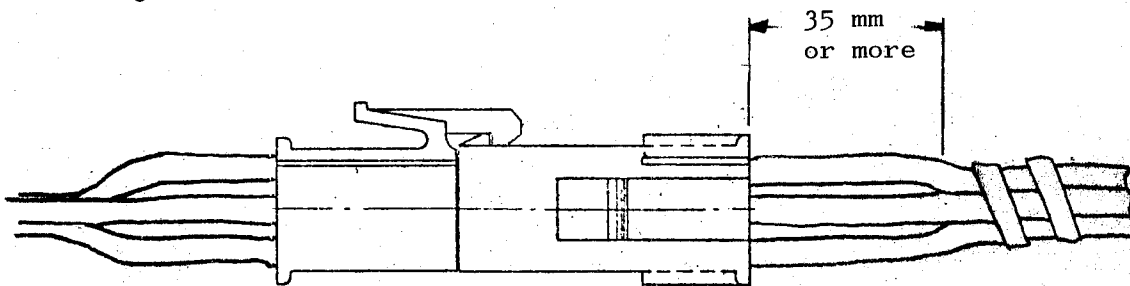


Applicable Extraction  
Tool Part Number:  
724668-2



#### 4.3 Taping and Bundling of Wire Leads:

Each contact must be seated freely within the cavity in the locked position of housing. If the wire bundle is tightly fastened at the area close to wire exit from housing, the contacts are directly affected by excessive undue force by the movement of wire bundle. Therefore, wrap the bundle of wires at the portion properly far from the rear of housing. Wrapping at the place 35mm or more from the housing is recommended.



#### 4.4 Storage and Transportation of Harness Products:

- (a) Harness products must be stored in a clean place. When the products are required to be kept at an open place for the next work day. Avoid exposure under the risk of contamination in the room air.
- (b) When inprocess harness leads are transferred without housings assembled to the lead bundles. They must be put in a proper container to prevent them from dirt or water-drops and contaminants, and carried carefully.
- (c) Care must be taken of handling harness products accordingly. Never attempt inadequate handling as follows:
  - 1. Rough handling as throwing onto floor.
  - 2. Dropping on the floor.
  - 3. Dragging harness assembly by holding connector.
  - 4. Forcing load exerted on a connector due to being caught of wires.

#### 5. Mating of Connectors:

- (a) Check mating direction orientating groove or locking leg of plug housing and the groove or locking block of cap housing to place them of the same plane, and mate the connectors. (Refer to Fig. 2)

(b) Mating portions of both housings have configuration that can prevent mismatching. When difficulty is felt at initial insertion of connectors, check to see if the connectors are placed in correct direction of mating with normal engagement of guide groove.

(c) Mate the both housings along the same axis without "Kojiri" motions.

Note: "Kojiri" is a Japanese term, meaning the motions to give forcing stress to a set of assembled parts such as connector or contacts in such manners of twisting, bending and rolling, forcing in the directions amiss to working axis resulting detrimental affections to the parts involved, especially deformation, breakage and damages as usually seen in contact/connector applications.

(d) Unmate the connector halves without applying forcing "Kojiri" motions.

#### 6. Mounting of Panel:

Panel-mounting type connector can be mounted on a panel by inserting the connector housing into a panel-cutout made through in accordance with AMP specified dimensions. When to mount into the hole, in the same direction of punch piercing through the panel, the housing should be pushed straight, until the mounting ears hook on the edges of cutout hole.

Call for AMP drawing for panel cutout dimensions, when required.

#### 7. Additional Notes for Instrumentation of Harness in Equipment:

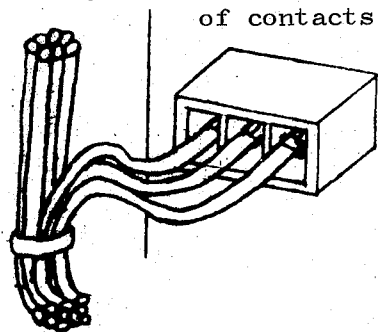
In the state that the connectors are mounted and/or mated, force exerted on connectors affects detrimentally to the areas of mating portion of contact, housing locking portion and panel hooking portion more than one's expectation.

To prevent ill-affection to connector, care must be taken as stated below.

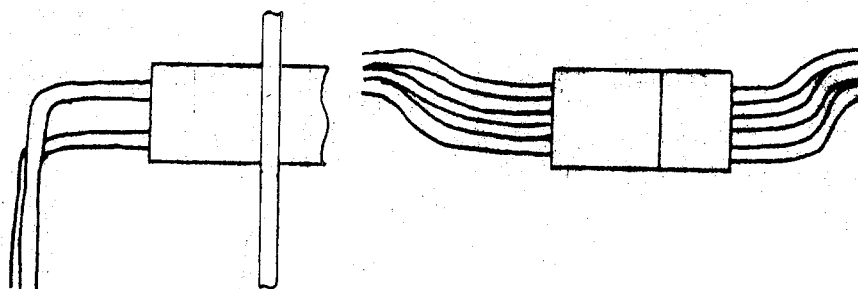
(1) Slacken the wires to prevent the connector from excessive jerking force exerted to the wire bundle.

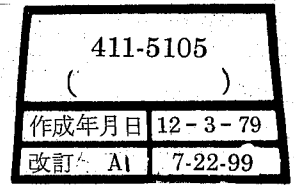
(2) Slacken the wires at the connector entry to provide easy insertion and extraction of contacts.

Slacken the wires at the entry of connector housing to make easy insertion and extraction of contacts.



Slacken the wires to prevent connector from excessive jerking force exerted to the wire bundle.





(RFA-1027)  
FJ00-1301-99

この取扱説明書は、ミニ・ユニバーサル・メイテンロック・コネクタの取扱方法について説明しています。御使用になる前に本書をよくお読み下さい。

1. 製品の概要

電気回路の接続用として、繰返し抜き差しが出来る単極及び多極の小型コネクタであり、パネル取付け型、宙吊り型及び耐アークトラッキング仕様の雌雄同形宙吊り型がある。コンタクトは、ピンとソケットからなり、ハウジングは雌雄同形型のを除き、キャップとプラグからなっている。

1.1 コンタクト

コンタクトはピン及びソケット・コンタクトよりなり、適用電線サイズ、材質及びめっき仕様等から選定される。

電線		圧着工具型番		コンタクト型番			
電線範囲	絶縁被覆外径	アプリケーション	手動工具	ピン		ソケット	
				連続端子	ばら状端子	連続端子	ばら状端子
0.12~0.35 mm (AWG#26~22)	1.2~1.75 φ	722791	#	170359	#	170361	#
		#	724649	#	170363	#	170365
0.30~0.89 mm (AWG#22~18)	1.5~2.4 φ	722792	#	170360	#	170362	#
		#	724651	#	170364	#	170366
0.50~1.30 mm (AWG#20~16)	2.0~3.2 φ	753958	#	171636	#	171637	#
		#	753808	#	171638	#	171639
2本圧着 (AWG#22)		722792	#	170360	#	170362	#
0.31 mm × 2 ~ 0.34 mm × 2	1.5 φ × 2 ~ 1.7 φ × 2	#	724651	#	170364	#	170366
2本圧着 (AWG#20)		753958	#	171636	#	171637	#
0.51 mm × 2	2.4 φ × 2	#	753808	#	171638	#	171639

表 1

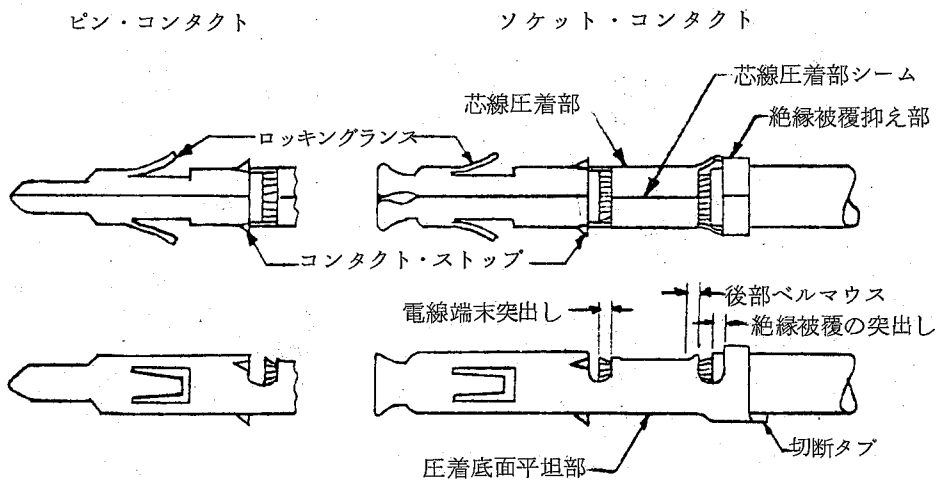


図 1

1.2 ハウジング

ハウジングは所要極数，パネル取付けの有無，ハウジングの材質（難燃グレード）及び色により選定される。

仕 極 様 数	キャップ・ハウジング				プラグ・ハウジング		雌雄同形 宙吊り型	ハウジングの 色別型番
	パネル取付け型		宙吊り型		UL94V-0	UL94V-2	UL94V-2	
	UL94V-0	UL94V-2	UL94V-0	UL94V-2	UL94V-0	UL94V-2	UL94V-2	
1	#	#	172156	172327	172164	172335	#	自然色：□□□□□□-1 赤：1-□□□□□□-2 緑：1-□□□□□□-5 青：1-□□□□□□-6 黒：1-□□□□□□-9
2	172157	172328	172233	172343	172165	172336	172807	
3	172158	172329	172334	172344	172166	172337	172808	
4	172159	172330	#	#	172167	172338	172809	
6	172160	172331	#	#	172168	172339	#	
9	172161	172332	#	#	172169	172340	#	
12	172162	172333	#	#	172170	172341	#	
15	172163	172334	#	#	172171	172342	#	

備考：1 プラグ・ハウジングはパネル取付け型及び宙吊り型に共用する。

2 雌雄同形宙吊り型は同一品を相互に組合わせて使用する。

表 2

例：3極パネル取付け型でUL難燃グレード94V-0材の青色のキャップ及びプラグ・ハウジングの型番

キャップ：1-172 1 5 8 - 6

プラグ：1-172 1 6 6 - 6

注：ナイロンの吸湿性のため，環境により，吸湿状態が変化し，ロッキング・レグ，マウンティング・イヤ等の硬さが変化します。特に冬期の乾燥時には，比較的もろくなり，ロッキング・レグやマウンティング・イヤが折損し易いので取扱いに注意して下さい。

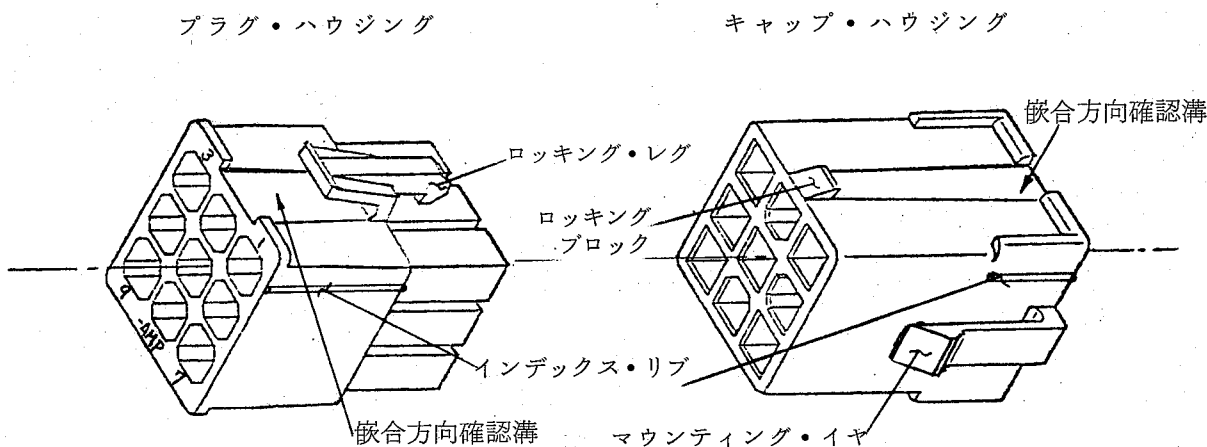


図 2

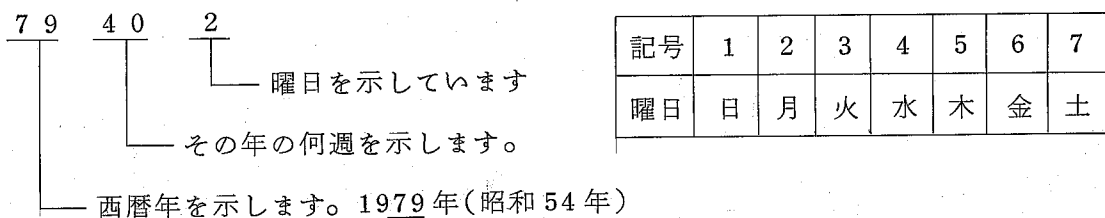
1.3 品質管理

製品はすべて、統計的管理のもとに基準書に照して検査を行い、完全なロット管理により合格したものであります。原則として各梱包単位毎に製造年月日（デートコード）が示されておりそれにより検査記録，製造記録，機械器具整備記録等々に照合して製造上の履歴を追跡出来る体制をとっています。従って万一，顧客各位にあって不具合，異状等の御迷惑をおかけした折は，下記のようなデートコードとハーネスの製造番号とが関連づけられるよう記録をしておきますと，対策の早期確立が期せられます。

〔例〕

ハーネス	圧着済半製品	接触子又はハウジング
7911161	54-1014	79106
7913091	54-4841	79054

a. デートコード（製造年月日）の表示方法は次の通りです。



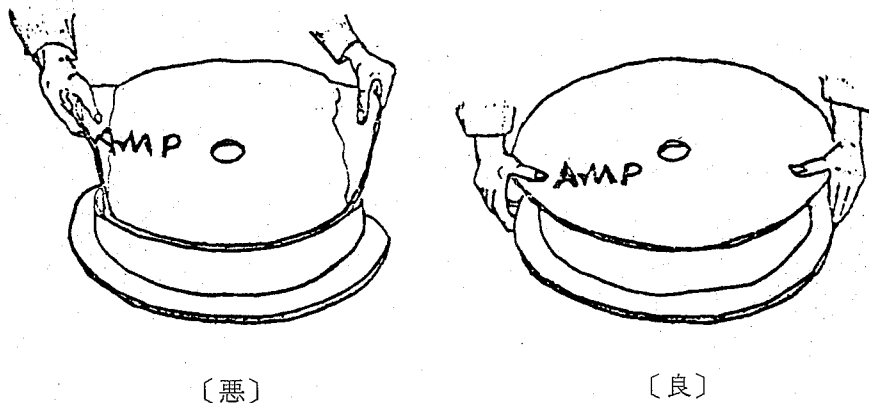
b. 金型の表示は，2個以上の金型で製造されている製品は必ずそれぞれの金型についての表示がされており，通常1，2，……のような数字を使っております。

2. 圧着作業

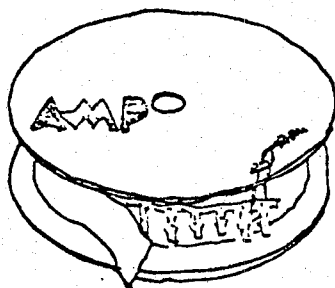
指定されたAMP工具で，関係規定に従って作業を行うこと。なお，梱包箱(袋)，リール等々にある型番，デートコード等の記録は後日の資料のため記帳をしておきます。

2.1 保管及び運搬管理について

a. 梱包箱(袋)より取り出したまゝの裸の状態では変形したり，不具合となるので極力避けること。



- b. 長期間放置された接触子は変色したり，変形したりしてしまふことがあるので，目視により確認すること。
- c. リールの運搬移動には，片側のフランジのみを持って行くと，リールが破損して圧着機に掛からず，使用が出来なくなります。
- d. 湿気の多い所には放置しないこと。比較的乾燥した直射日光のあたらない場所で，清浄な屋内で且つ常温常湿の環境下の保管が望まれます(常温常湿とは5~35℃，且つ45~85%をいいます)。
- e. 使用を中断して一時圧着機より取外されたリールは，その先端の端子を適宜な紐によって，フランジに結んでおいてリールがほどけないようにして，適当な容器に入れて保存して下さい。



## 2.2 圧着作業管理について

作業管理は別冊の下記の作業指導書等を参考として，作業指導要領を準備して下さい。

手動工具の自主管理基準書(1)

自動機取扱説明書

CM-022J

端子圧着作業の自主管理基準

CM-023J

取付適用仕様書

114-5050

手動工具説明書

IS-107J

マイクロメーターの使用方法和検査手順

IS-7424

製品仕様書

108-5138 (ハウジング材 UL94V-0)

108-5151 ( " UL94V-2)

## 2.3 圧着済コンタクトの形状

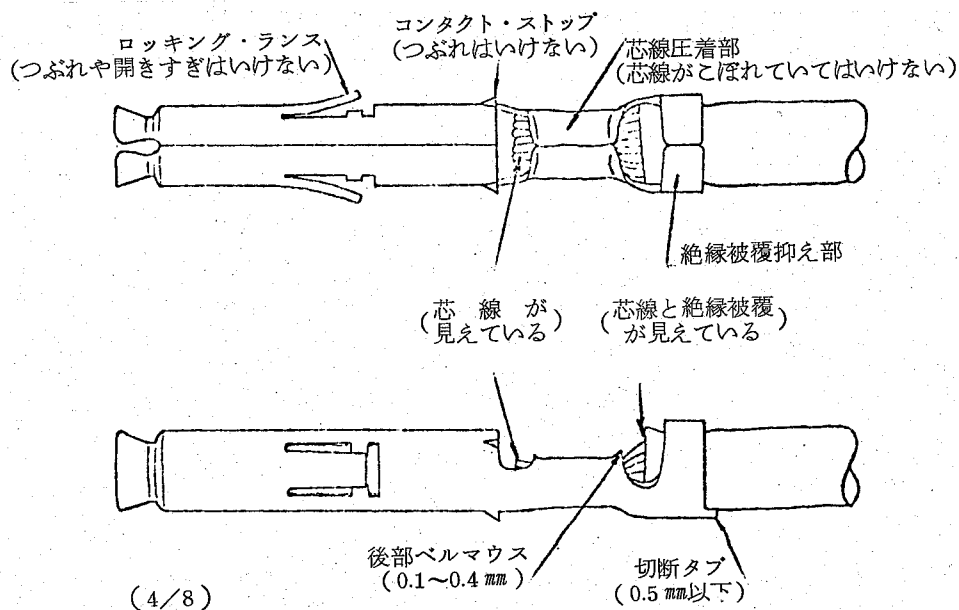


図 3

## 3. 圧着済み半製品の管理

## 3.1 検査について

圧着加工品の検査は，製品1ヶを検査単位体として同一条件下で，即ち圧着機の調整間で連続生産された群，或いは1作業日で生産された群をもって1ロットとして，下表により行うのが適当です。

区 分	時 期	検 査 項 目
初物検査	最初に，アプリーターをその電線についてセットアップをした時	外観検査及び寸法検査（下記全項目）
ロット検査	毎日の作業開始時	同 上
	連続生産を行っている間のもの	外観検査（下記全項目）及び寸法検査（4項）

表 3

項目	検査規格及び方法	測定具
外 観 検 査	1. 芯線圧着もれ，および芯線きれ	目 視
	2. 圧着部形状不良（ベルマウスの形成）（芯線の突き出し）	＼
	3. 圧着部底面不良（バリ発生）	＼
	4. 被覆抑えはずれ	＼
	5. 接触部の形状不良	＼
寸 法 検 査	1. 切断タブの寸法	キャリパー
	2. ランスの寸法	＼
	3. 端子の変形（ベンド，横まがり，ねじれ）	拡大鏡
	4. 圧着高さ	マイクロ
	5. 芯線圧着部の後側ベルマウス	キャリパー

表 4

## 3.2 保管について

- a. 清浄な場所に保管しなくてはならない。又，翌日にわたって保管される場合は，露出状態で放置することは禁止されるべきです。
- b. 一束として束ねる時は，100本程度までが適当です。コンタクト部にビニール袋をかぶせることを推奨します。
- c. 多量のを単に積み重ねると接触子の突起部が引懸ったり，又重量の為に接触子に変形する原因となり，接触不良その他の事故の原因となります。
- d. 束を分離するとき，コンタクト同志がからむ場合があるため，コンタクト特にランスが変形しないように注意して作業を行なって下さい。
- e. コンタクトをそれぞれの単体で嵌合させると，接触部を変形させる原因となります。

4. ハーネス製造作業

4.1 ハウジングへのコンタクト挿入作業

- a. ピン、ソケットコンタクトはプラグ、キャップハウジングのいずれにも挿入可能です。回路番号に照して、必ずピン、ソケットの組合せとなる様、充分注意して挿入して下さい。
- b. コンタクトの挿入はハウジングのワイヤー側から入れて下さい。この面には回路番号の数字が書いてあります。またパネル取付型及び宙吊り型には回路番号1を示すインデックス・リブが外壁についていますので、コンタクト挿入作業の目安にして下さい。
- c. コンタクトをハウジングに挿入する時、ハウジングの挿入穴に沿ってコンタクトが真直ぐになるようにして入れる。コジリはランスの異常な変形の原因となるため充分注意すること。

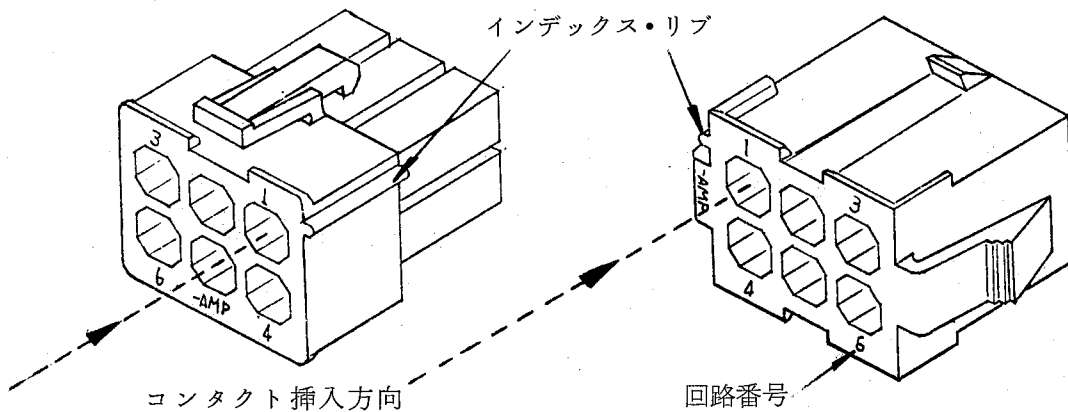
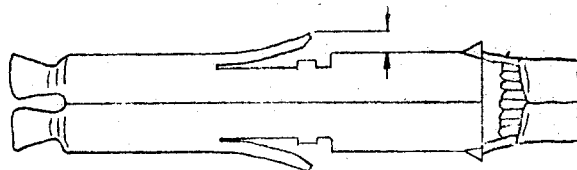


図 4

- d. コンタクトがハウジングに完全に装填されたか確認する。ロックした場合はランスが“パチン”と音がすると共に電線挿入が急激に軽くなり、電線がハウジング内で回転が可能となる。又、挿入後、電線を軽く手前に引き、ロックを確認して下さい。
- e. コンタクトの圧着不良、変形及びハウジングのロックングレグ、マウンティングイヤ等の欠損を挿入時に確認して下さい。
- f. 万一誤挿入をし、コンタクトを取り外す必要を生じた時は必ず指定の引抜工具を使って下さい。又そのコンタクトを再挿入する場合には、ランス形状を調整してから挿入して下さい。

0.6±0.2 mm (参考)

(引抜工具型番 724668-1)

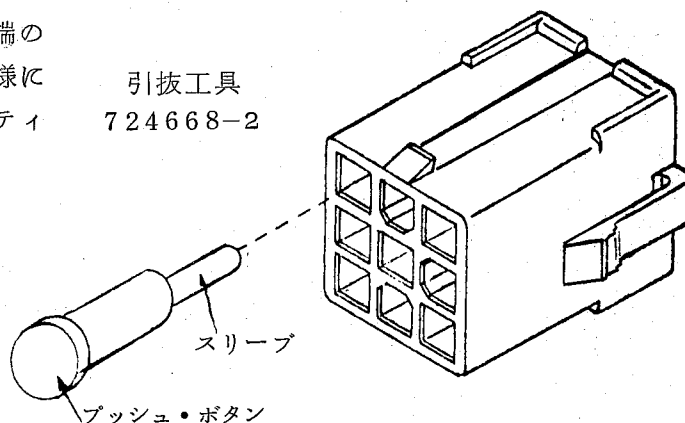




#### 4.2 コンタクトの引き抜き方法

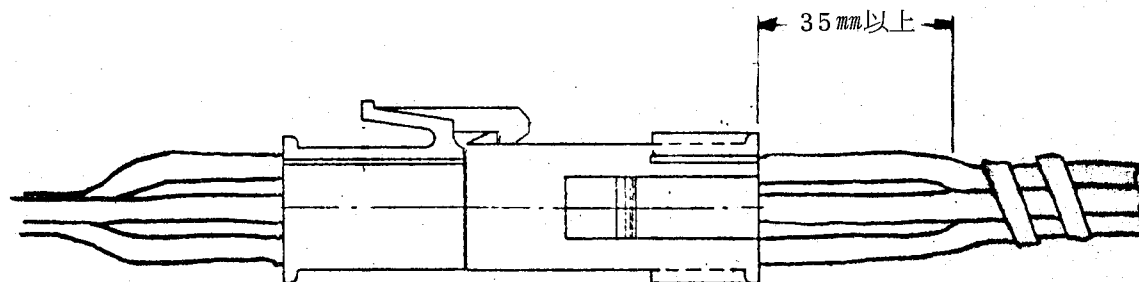
ワイヤを押し込んだ状態で工具先端のスリーブをコンタクトにかぶせる様に押し込み、スリーブ先端がキャビティの底に当るまで工具を挿入する。次にプッシュ・ボタンを押し込みコンタクトをハウジングより引き抜く。

{ 引抜工具取扱説明書 }  
IS-108J



#### 4.3 テーピング（束線）作業方法

コンタクトはそれぞれハウジング内でフローティング出来るよう融通性をもっています。従って、この余裕を損なわないよう、下図のようにハウジングの面から一定の距離をもって束線をして下さい。



#### 4.4 ハーネス品の保管・運搬について

- a. ハーネス品は清浄な場所に保管しなくてはならない。又、翌日にわたって保管される場合は露出状態で放置することは避けて下さい。
- b. ハウジングに装填していないハーネス品（接触子圧着品）を保管する時は、適正な梱包箱を利用して塵埃、水滴等を防止し、丁寧に取り扱いよう注意が必要です。
- c. ハーネスの取扱いは充分注意して行ない、次のような取扱いは行なわないで下さい。
  - I. 放り出すような乱暴なハンドリング
  - II. 床に触れるようなこと
  - III. コネクタを持って運ぶこと
  - IV. 電線に引懸って無理な力がコネクタにかゝるような作業

## 5. コネクタの嵌合組立作業

- a. ハウジングを嵌合させる場合、目視または手指で、プラグのロックングレグとキャップの嵌合方向確認溝あるいはロックングブロックを確認の上、これらが同一面となるように嵌合させて下さい(図2参照)。
- b. 両ハウジングの嵌合部は誤嵌合防止形状となっており、嵌合初期において挿入しづらい場合、誤嵌合でないか確認して下さい。
- c. 嵌合は、両ハウジングが一直線上で嵌合するようにし、コジリを与えないよう、確実にロックするまで嵌合させて下さい。
- d. コネクタの不必要な抜き差しの繰返しは行わないこと。
- e. 万一コネクタを抜くことが必要なときは、ハウジングを持ち、ロックングレグをはずして真直ぐ引張り、できる限りコジラないで引き抜くこと。

## 6. パネル取付け作業

キャップ・ハウジングのパネルへの取付けは、パネルに孔あけ加工した方向から装着して下さい。

《注》 パネル加工をされる時は、必ず当社の図面に従って下さい。

## 7. 実装上の注意事項

実装された状態でコネクタに引張力がかゝりますと、コンタクトの接触部及びハウジング・ロック、パネル・ロック部に悪影響を与えますので下記の点に留意して下さい。

① 抜き差しが容易にできる  
ようにたるみをもたせる。

② 常時引張力が加わらないよう、また抜き差しが  
容易にできるよう、たるみをもたせる。

