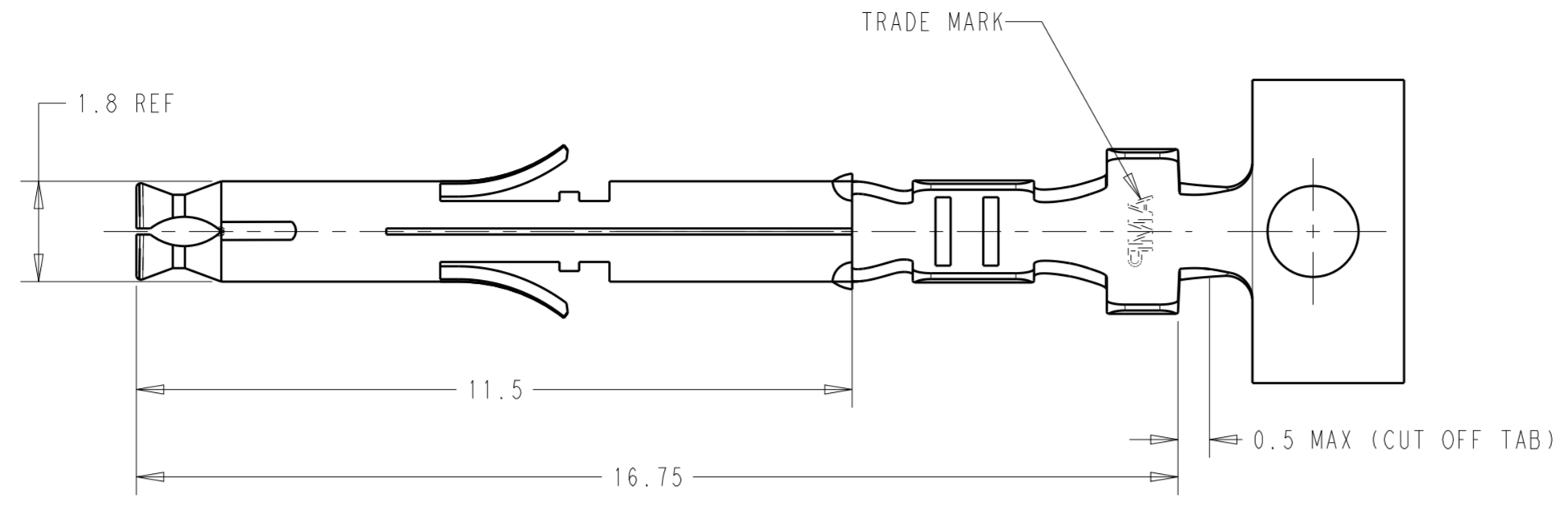
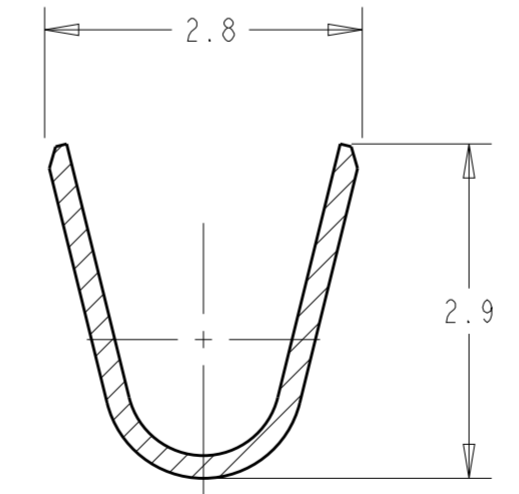
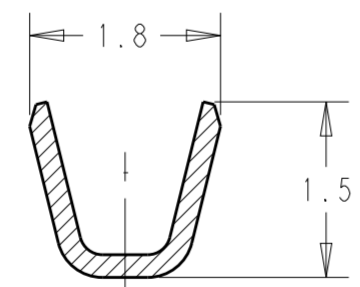
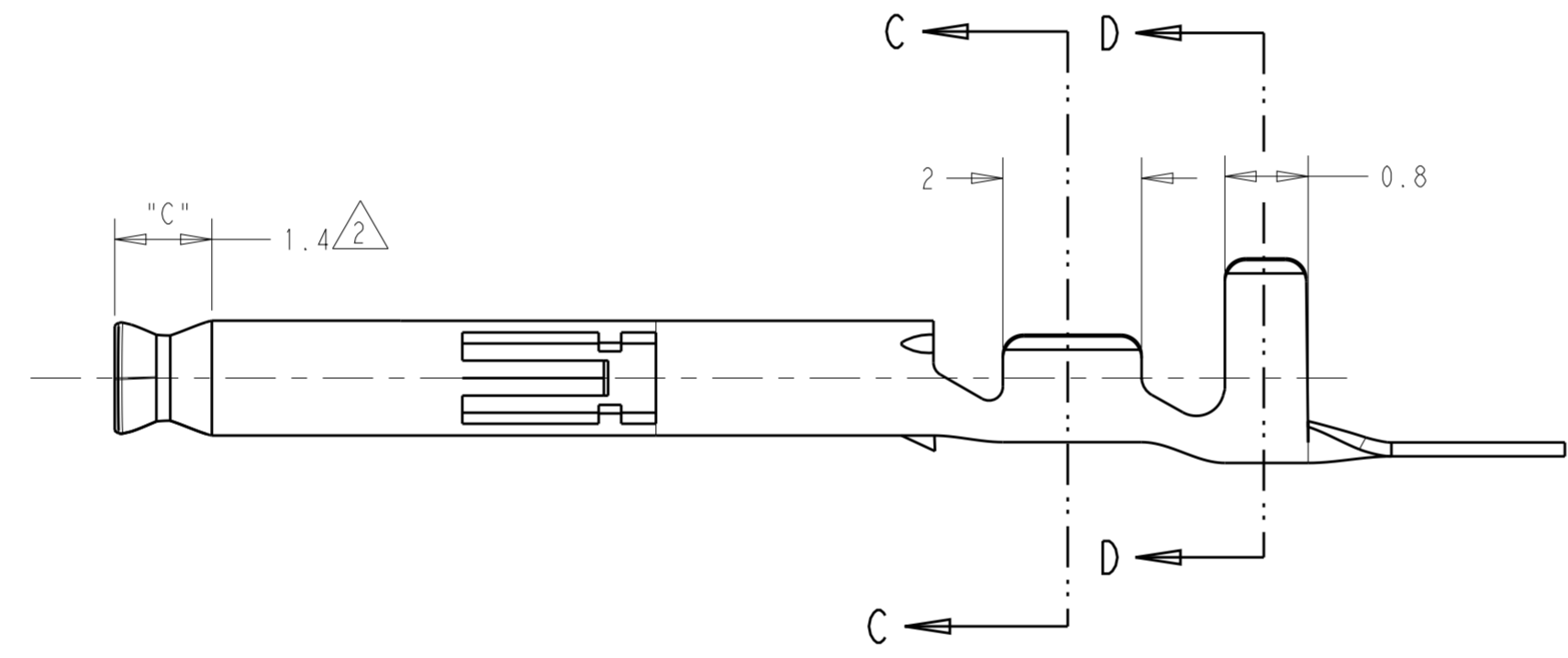
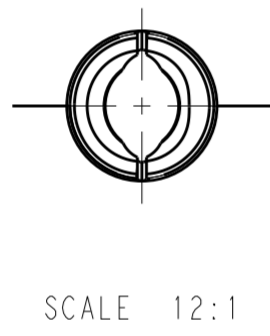


勝特力材料 886-3-5753170
 勝特力电子(上海) 86-21-34970699
 勝特力电子(深圳) 86-755-83298787
 Http://www.100y.com.tw

REVISIONS				
P	LTR	DESCRIPTION	DATE	APVD
F2		REVISED PER ECR-20-005023	24APR2020	BDA SW
G		REVISED FOR ECR-20-100490	29SEP2020	PC SW



- 1 APPLICABLE HOUSING: CAP AND PLUG.
- 2 SELECTIVE GOLD PLATED AREA "C" 0.0004mm MIN THICK OVER Ni PLATE ON INSIDE SURFACE.



170359, 170360 170363, 170364	(PRE-TIN PHOZ BRO)	170365-4	170361-4
170359, 170360 170363, 170364	(GOLD PLATE) 2	170365-3	170361-3
170359, 170360 170363, 170364	(PRE-TIN BRASS)	170365-1	170361-1
MATING PART NUMBER	FINISH	LOOSE PIECE PART NUMBER	PART NUMBER

THIS DRAWING IS A CONTROLLED DOCUMENT.		DWN -	TE Connectivity	
DIMENSIONS: mm		CHK -		
TOLERANCES UNLESS OTHERWISE SPECIFIED:		APVD -	NAME	
0 PLC ±0.3	1 PLC ±0.3	PRODUCT SPEC	MINI UNIVERSAL MATE-N-LOK SOCKET CONTACT	
2 PLC ±	3 PLC ±	APPLICATION SPEC	108-5138	
4 PLC ±	ANGLES ±	FINISH	114-5050	
MATERIAL SEE TABLE	FINISH SEE TABLE	WEIGHT -	SIZE A2	CAGE CODE 00779
		CUSTOMER DRAWING	DRAWING NO C-170361	RESTRICTED TO -
		SCALE 5:1	SHEET 1 OF 1	REV G

Mouser Electronics

Authorized Distributor

Click to View Pricing, Inventory, Delivery & Lifecycle Information:

[TE Connectivity:](#)

[170361-4](#)