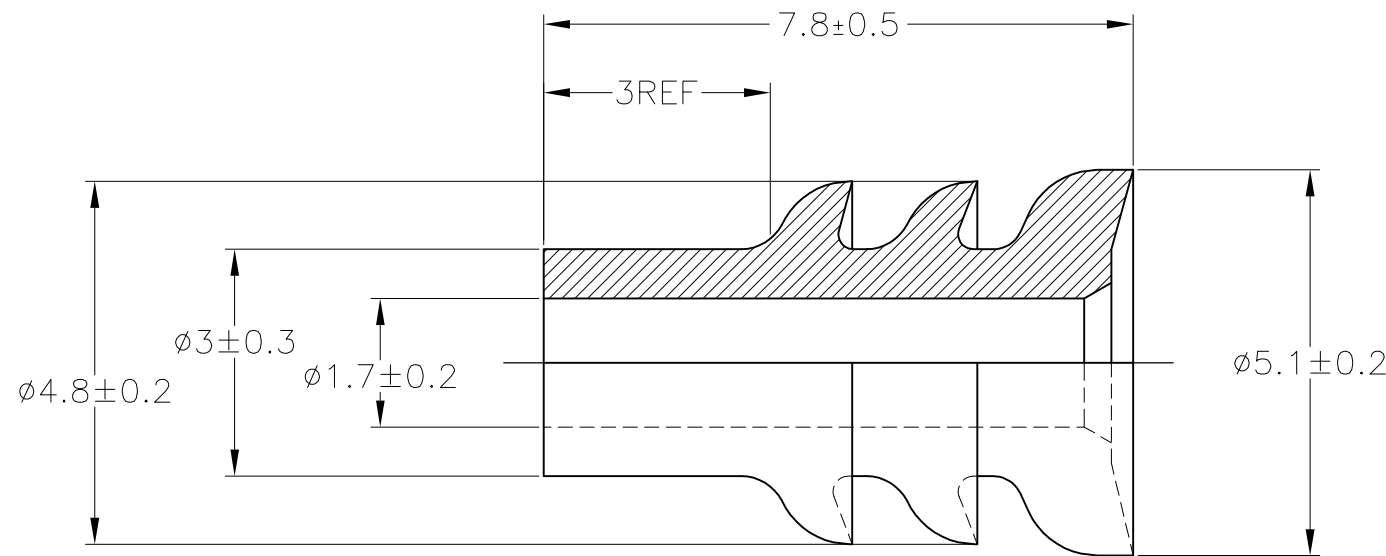


THIS DRAWING IS UNPUBLISHED. RELEASED FOR PUBLICATION
 © COPYRIGHT - By - ALL RIGHTS RESERVED.

LOC	DIST	REVISIONS 変更					
J	—	P	LTR	DESCRIPTION	DATE	DWN	APVD
			C2	REVISED PER ECO-11-005140	28MAR11	RK	HMR

勝特力材料 886-3-5753170
 勝特力电子(上海) 86-21-34970699
 勝特力电子(深圳) 86-755-83298787
[Http://www.100y.com.tw](http://www.100y.com.tw)



△ OIL COATED TYPE

△ オイル塗布タイプ

NBR	灰色 (GRAY)	9-172888-2
Si	べんがら色 (BROWN)	1-172888-3
NBR	緑色 (GREEN)	172888-3
NBR △	灰色 (GRAY)	172888-2
SEE DRAWING 172888-1		172888-1
MATERIAL	COLOR	PART NUMBER

WIRE RANGE 0.5~1.25mm ² (AWG#20-#16)		INSULATION DIA. 2~2.6mmφ	
THIS DRAWING IS A CONTROLLED DOCUMENT.			
DIMENSIONS: 単位: 耗 mm		TOLERANCES UNLESS OTHERWISE SPECIFIED: 一般公差	
		0 PLC	± -
		1 PLC	± -
		2 PLC	± -
		3 PLC	± -
		4 PLC	± -
		ANGLES	± -
MATERIAL 材料 SEE TABLE		FINISH 仕上 -	
DWN T.SHINOHARA 11MAY06		CHK K.BETSUI 11MAY06	
APVD K.BETSUI 11MAY06		NAME 名称	
PRODUCT SPEC 製品規格		APPLICATION SPEC 取付適用規格	
WEIGHT -		SIZE A3	
CUSTOMER DRAWING		CAGE CODE 00779	
		DRAWING NO 番号 G-172888	
		RESTRICTED TO -	
		SCALE 尺度 10:1	
		SHEET 1 OF 1	
		REV C2	

STE TE Connectivity			
070 TYPE RUBBER PLUG			
SIZE	CAGE CODE	DRAWING NO 番号	RESTRICTED TO
A3	00779	G-172888	-
SCALE 尺度		SHEET	REV
10:1		1 OF 1	C2