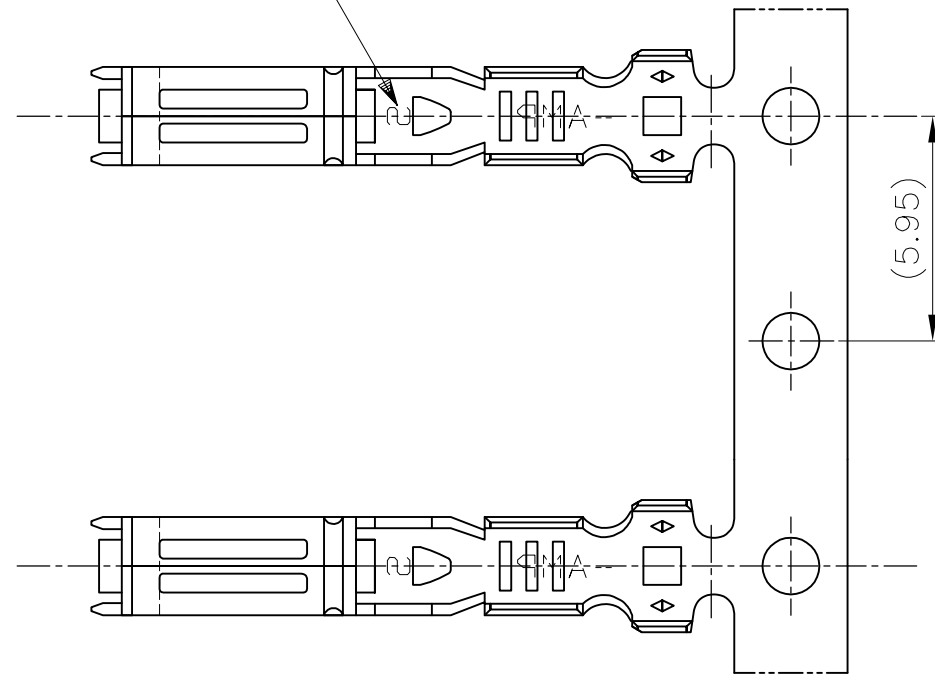
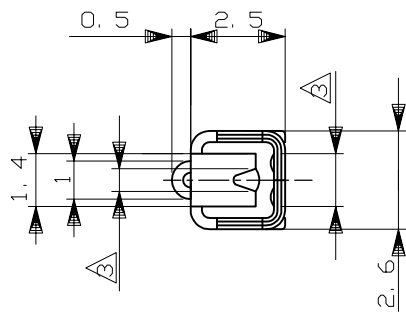
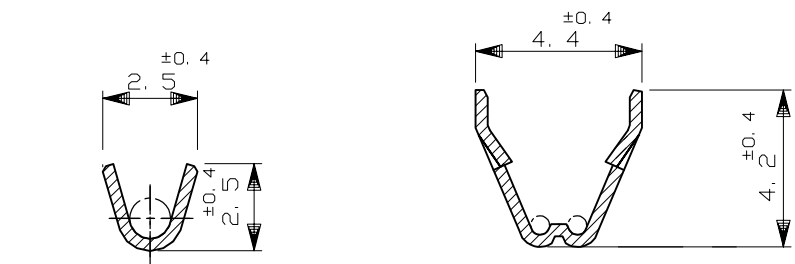


WIRE RANGE ID MARK  
 (<"S" SIZE MARK>  
 <STAMPED ON BOTTOM>  
 端子識別マーク"S"  
 (底面に刻印)



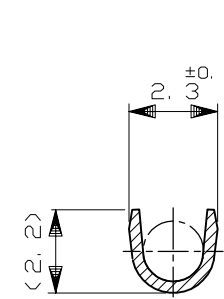
REVISIONS					
P	LTR	DESCRIPTION	DATE	DWN	APVD
G1	REVISED	ECR-19-018615	17JUL2020	DM	HK

勝特力材料 886-3-5753170  
 勝特力电子(上海) 86-21-34970699  
 勝特力电子(深圳) 86-755-83298787  
[Http://www.100y.com.tw](http://www.100y.com.tw)

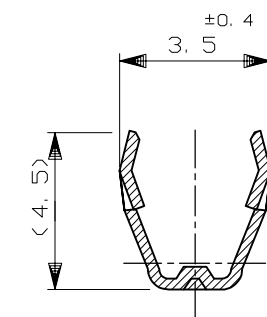


断面 A-A  
SECT A-A

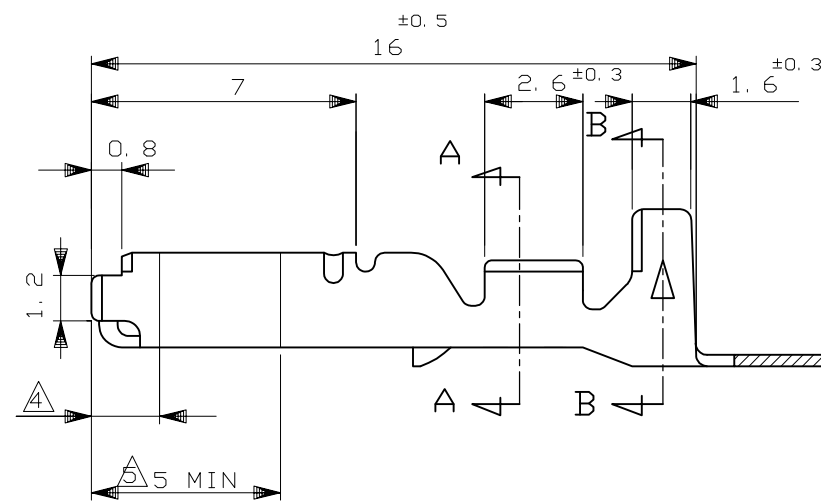
断面 B-B  
SECT B-B



断面 A-A  
SECT A-A  
(175026のみ適用)  
(ONLY 175026)



断面 B-B  
SECT B-B  
(175026のみ適用)  
(ONLY 175026)



	△3/5 部分金めっき SELECTIVE GOLD	黄銅 板厚0.3 BRASS ±0.3	1-173630-2
175026-7	△3/4 部分金めっき SELECTIVE GOLD	リン青銅 板厚0.3 PHOS BRO. ±0.3	173630-7
175026-6	錫めっき済み PRE-TINNED	銅合金 板厚0.3 COPPER ALLOY ±0.3	173630-6
	△3/4 部分金めっき SELECTIVE GOLD	黄銅 板厚0.3 BRASS ±0.3	173630-2
175026-1	錫めっき済み PRE-TINNED	黄銅 板厚0.3 BRASS ±0.3	173630-1
	パラ端子型番 L/P NUMBER	仕上 FINISH	材料 MATERIAL
			型番 PART NUMBER

- 製品規格 ; 108-5216, 108-5231, 108-5264
- 取付適用規格 ; 114-5091
- △3/5 部分金めっき (接触面のみ)
- △4 識別用金めっき (全周)
- △5 部分金めっき (両側のみ)

- SPEC; 108-5216, 108-5231, 108-5264
- APPLICATION SPEC; 114-5091
- △3/5 SELECTIVE GOLD PLATING (ONLY CONTACT SIDE)
- △4 GOLD PLATING FOR DISCERNMENT (ALL AROUND)
- △5 SELECTIVE GOLD PLATING (ONLY BOTH SIDES OF THE BOX)

TOLERANCE UNLESS OTHERWISE SPECIFIED: 一般公差	
0 < x ≤ 10	±0.2
10 < x ≤ 30	±0.25
30 < x ≤ 100	±0.3
ANGLE	±3°

THIS DRAWING IS A CONTROLLED DOCUMENT.	
DIMENSIONS: mm	TOLERANCES UNLESS OTHERWISE SPECIFIED:
	0 PLC ± -
	1 PLC ± -
	2 PLC ± -
	3 PLC ± -
	4 PLC ± -
	ANGLES ± -
MATERIAL SEE TABLE	FINISH SEE TABLE

DWN T.SAGAWA 9/28'87	TE Connectivity 070 SERIES RECEPTACLE CONTACT			
CHK M.MATSUSAKA 10/6'87				
APVD M.NOGUCHI 10/7'87				
PRODUCT SPEC				
APPLICATION SPEC	SIZE	CAGE CODE	DRAWING NO	RESTRICTED TO
WEIGHT	A3	00779	C-173630	-
CUSTOMER DRAWING		SCALE	SHEET	REV
		5:1	1 OF 1	G1

# Mouser Electronics

Authorized Distributor

Click to View Pricing, Inventory, Delivery & Lifecycle Information:

[TE Connectivity:](#)

[173630-1](#) [173630-1 \(Mouser Reel\)](#) [173630-1 \(Cut Strip\)](#)