

THIS DRAWING IS UNPUBLISHED.

RELEASED FOR PUBLICATION

ALL RIGHTS RESERVED.

© COPYRIGHT - By -

LOC

DIST

REVISIONS

變更

DESCRIPTION

DATE

DWN

APVD

J

—

P

LTR

REVISD PER ECO-11-005140

07APR11

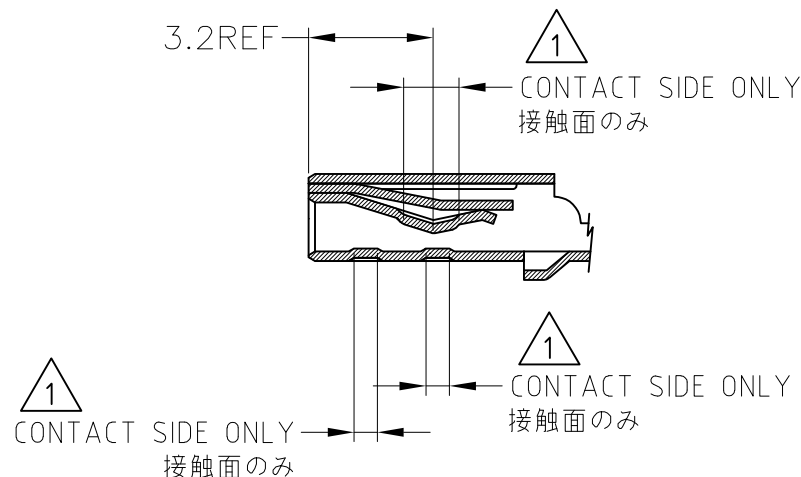
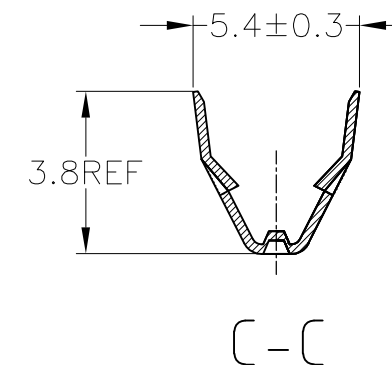
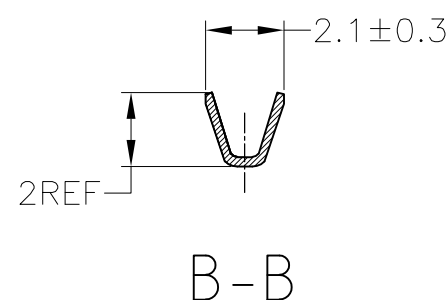
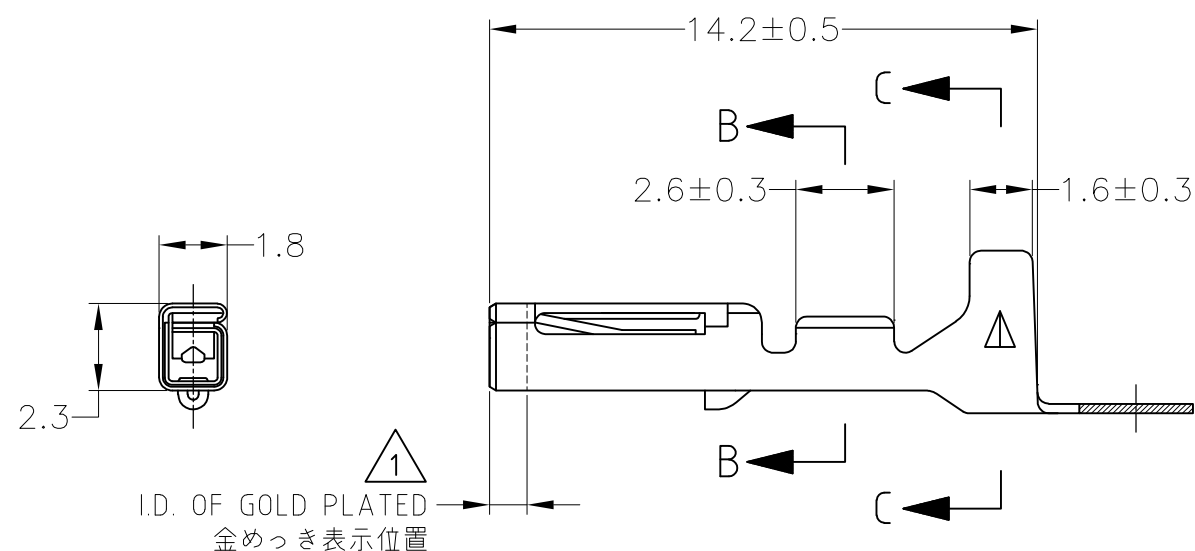
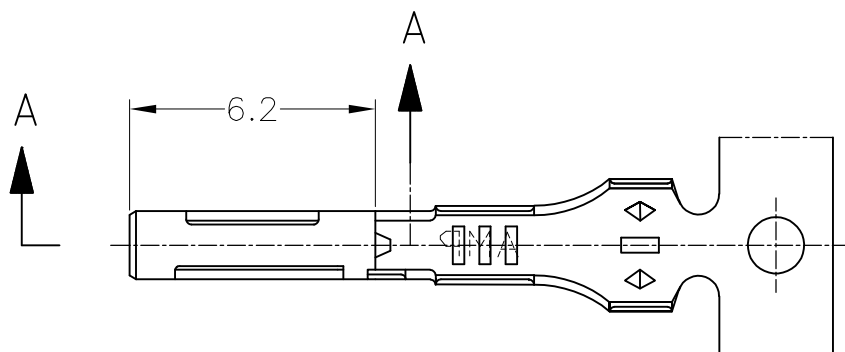
RK

HMR

勝特力材料 886-3-5753170
 勝特力电子(上海) 86-21-34970699
 勝特力电子(深圳) 86-755-83298787
 Http://www.100y.com.tw

注：
 ▲部分金めっき

NOTE：
 ▲SELECTIVE GOLD



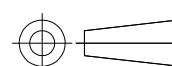
TOLERANCES UNLESS OTHERWISE SPECIFIED:

一般公差	
10 ≥	±0.2
30 ≥ > 10	±0.25
100 ≥ > 30	±0.3
ANGLE	±3°

THIS DRAWING IS A CONTROLLED DOCUMENT.

DIMENSIONS:
 单位: 耗
 mm

TOLERANCES UNLESS OTHERWISE SPECIFIED:
 一般公差



MATERIAL
 材料
 PHOS. BRONZE, THK 0.25
 りん青銅、板厚; 0.25

FINISH
 仕上
 SEE TABLE

DWN T.SHINOHARA 25MAY04

CHK K.BETSUI 25MAY04

APVD K.BETSUI 25MAY04

PRODUCT SPEC 製品規格

APPLICATION SPEC 取付適用規格

WEIGHT 0.262

CUSTOMER DRAWING

NAME

名称

SIZE

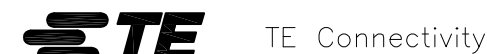
CAGE CODE

DRAWING NO

SCALE

SHEET

SEE DRAWING 173681-6	173681-6	
175062-2	SELECTIVE GOLD	173681-2
175062-1	PRE-TINNED	173681-1
LOOSE PIECES NUMBER	FINISH	PART NUMBER
WIRE RANGE (抱合電線断面積) 0.3~0.56mm ² (AWG#22~20)		INSULATION DIA. (被覆外径) 1.8~2 mmφ



040 SERIES RECEPTACLE CONTACT

114-5094
 A3 00779 C-173681

RESTRICTED TO
 5:1 1 OF 1 REV E4

Mouser Electronics

Authorized Distributor

Click to View Pricing, Inventory, Delivery & Lifecycle Information:

[TE Connectivity:](#)

[173681-1](#)