

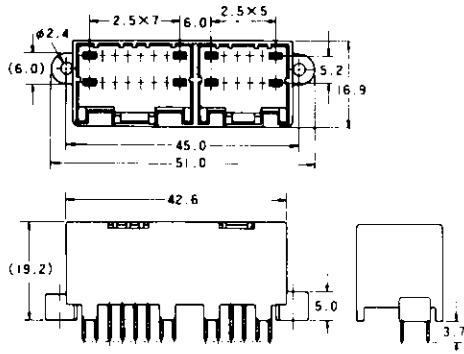
.040 MULTILOCK Connectors Wire to Board Applications

Cap

Plug (To be used with .040 rec.contact.)

Vertical Mount Type
 Part Number : 174979-2

28
 Pos.



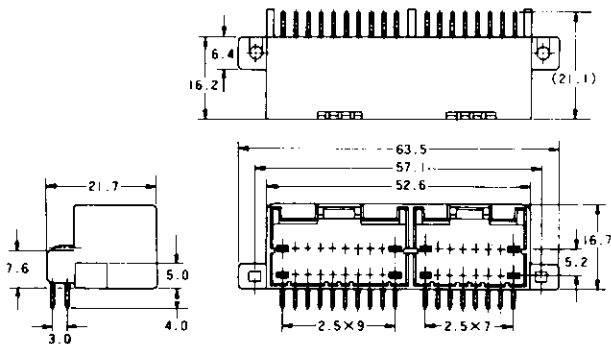
Accepts 16 pos. and 12 pos. plugs.

16pos. plugs.
 Part Number : 174046-2

12pos. plugs.
 Part Number : 174045-2

Horizontal Mount Type
 Part Number : □-174146-2

36
 Pos.



Accepts 20 pos. and 16 pos. plugs.

20pos. plugs.
 Part Number : 174047-2

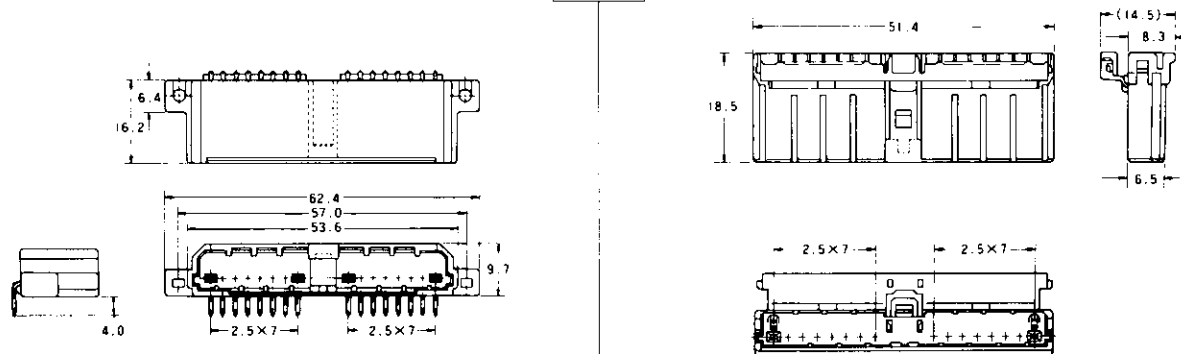
16pos. plugs.
 Part Number : 174046-2

*The color of housing is black. *The materials are of PBT with glass for the cap housing and PBT for the plug housing.
 *The materials and finish of tab contacts are of pretinned brass or selective gold on pretinned brass.
 *The figures in □ before part numbers vary according to finishes, configurations. *As to the PC board layout, refer the page 569, 570.

Horizontal Mount Type
 Part Number : 174062-5 (Single row, low profile type)

16
 Pos.

Part Number : 174060-5 (Single row, low profile type)



*The color of housing is blue. *The materials are of PBT with glass for the cap housing and PBT for the plug housing.
 *The materials and finish of tab contacts are of pre-tinned brass. *As to the PC board layout, refer the page 569, 570.

5