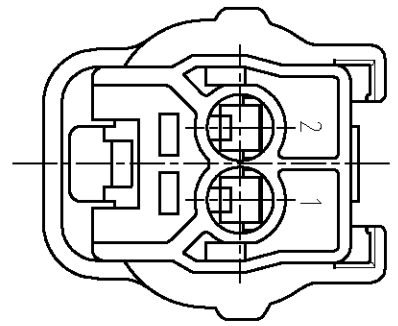
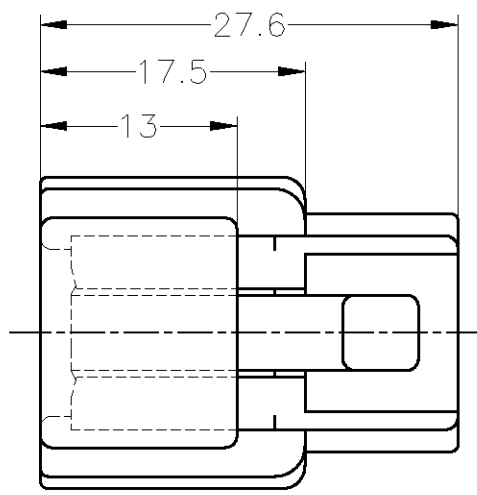
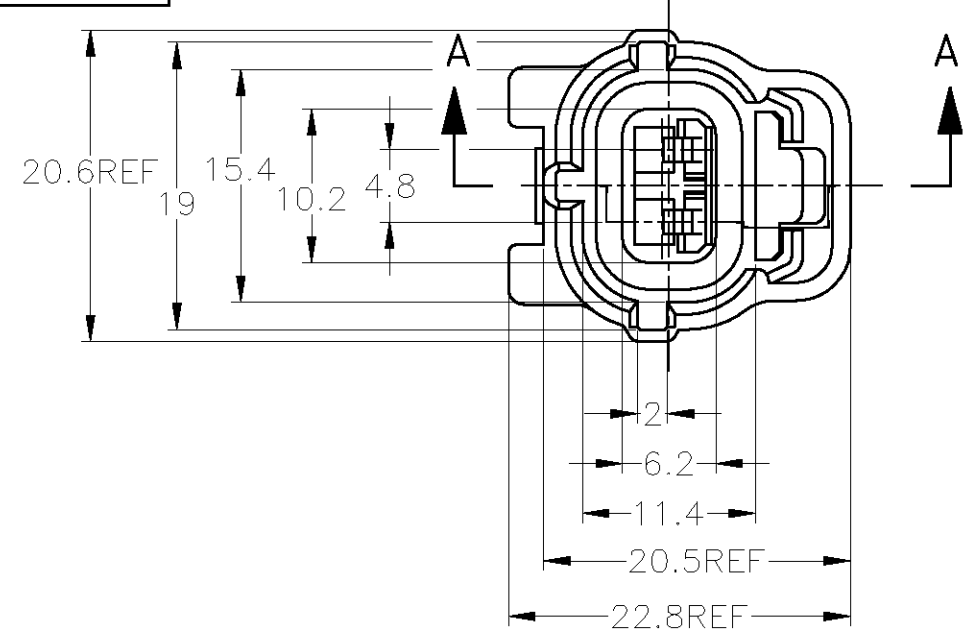


THIS DRAWING IS UNPUBLISHED. RELEASED FOR PUBLICATION  
 © COPYRIGHT - By - ALL RIGHTS RESERVED.

LOC	DIST	REVISIONS			
P	LTR	DESCRIPTION	DATE	DWN	APVD
J	-	E3 REVISED	ECR-13-010600	03JUL2013	TS KB

TOLERANCE UNLESS OTHERWISE SPECIFIED:  
 一般公差  
 0 < x ≤ 10 : ±0.2  
 10 < x ≤ 30 : ±0.25  
 30 < x ≤ 100 : ±0.3  
 ANGLE : ±3°  
 角度

-2; 本図  
 -2; AS SHOWN

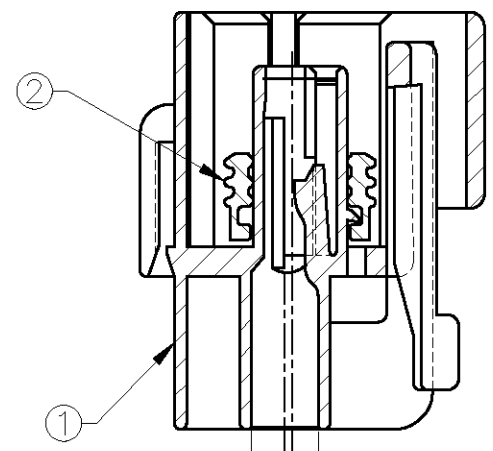


- FOR CAP HOUSING PN 174354, 173063
- THIS PART IS COMPOSED OF PLUG HOUSING AND SEAL RING
- THIS PART MUST BE USED WITH DOUBLE LOCK PLATE PN 174353
- PRODUCT SPECIFICATION: 108-5262  
APPLICATION SPECIFICATION: 114-5082  
CUSTOMER MANUAL: CM-325J
- APPLIED CONTACTS

CONTACT PN	WIRE RANGE (mm <sup>2</sup> )	INSURATION DIA.
171630	0.2~0.5	φ 1.4~φ 2.4
171662	0.5~1.25	φ 2~φ 2.6

- 嵌合相手型番: 174354, 173063
- 本品はプラグハウジング単体にシールリングがアッセンブリされたものである。
- 本品はダブルロックプレート型番 174353を装着して使用する。
- 製品規格: 108-5262  
取付適用規格: 114-5082  
取扱説明書: CM-325J
- 適用端子型番

コンタクト 型番	ワイヤーレンジ (mm <sup>2</sup> )	被覆外形
171630	0.2~0.5	φ 1.4~φ 2.4
171662	0.5~1.25	φ 2~φ 2.6



A-A

**勝特力材料 886-3-5753170**  
**胜特力电子(上海) 86-21-34970699**  
**胜特力电子(深圳) 86-755-83298787**  
[Http://www.100y.com.tw](http://www.100y.com.tw)

数量 QTY	材料 MATERIAL	名称 NAME	色 COLOR	項番 ITEM No.
1	SILICON RUBBER	SEAL RING	黒 BLACK	②
1	PBT	PLUG HOUSING	黒 BLACK	①

THIS DRAWING IS A CONTROLLED DOCUMENT.  
 DIMENSIONS: 单位: 耗 mm  
 TOLERANCES UNLESS OTHERWISE SPECIFIED: 一般公差  
 0 PLC ±-  
 1 PLC ±-  
 2 PLC ±-  
 3 PLC ±-  
 4 PLC ±-  
 ANGLES ±-  
 MATERIAL 材料  
 FINISH 仕上  
 SEE TABLE 表参照

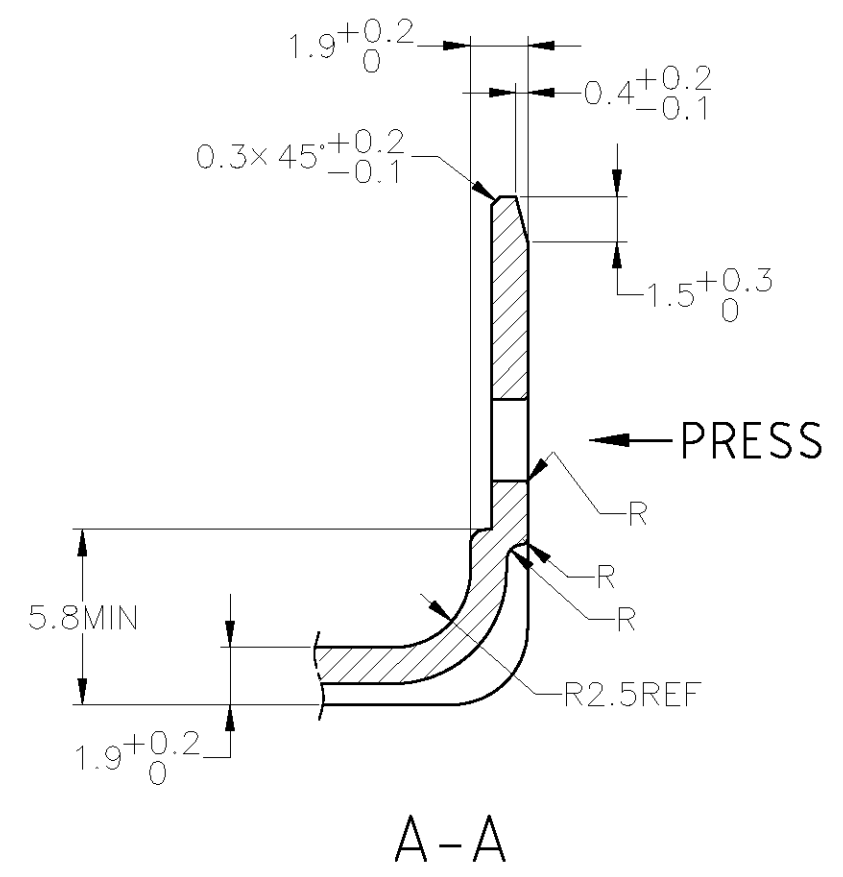
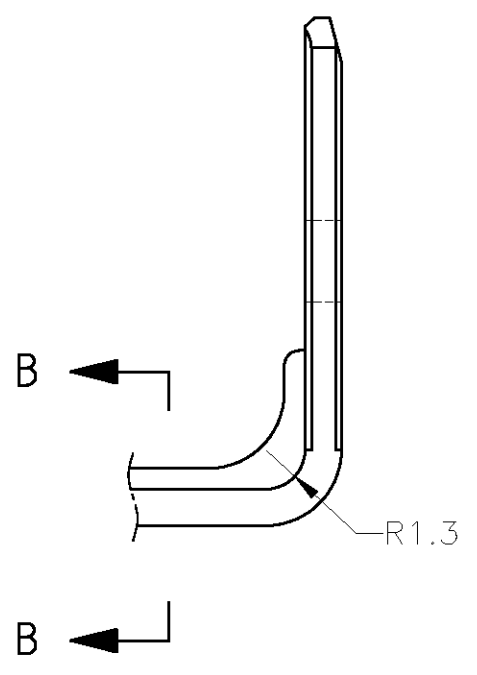
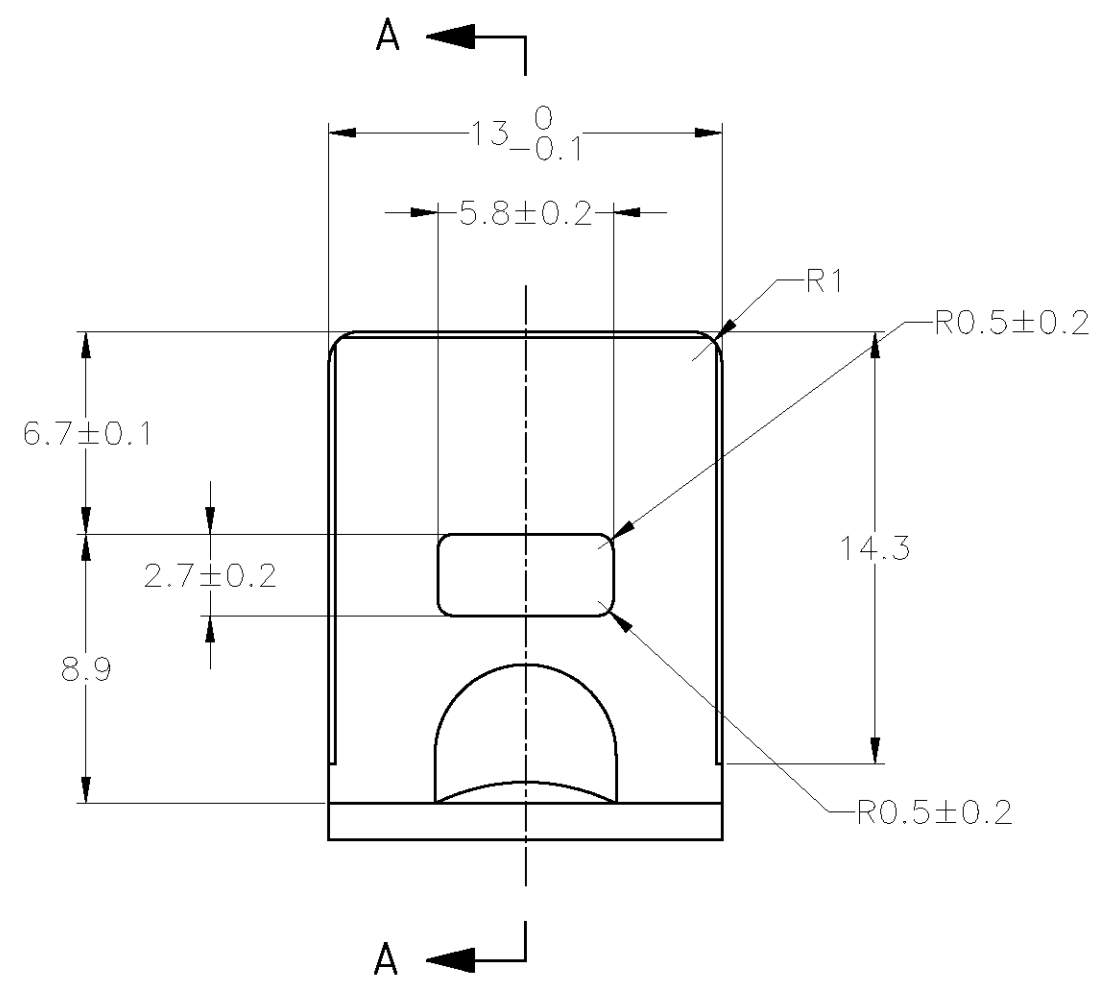
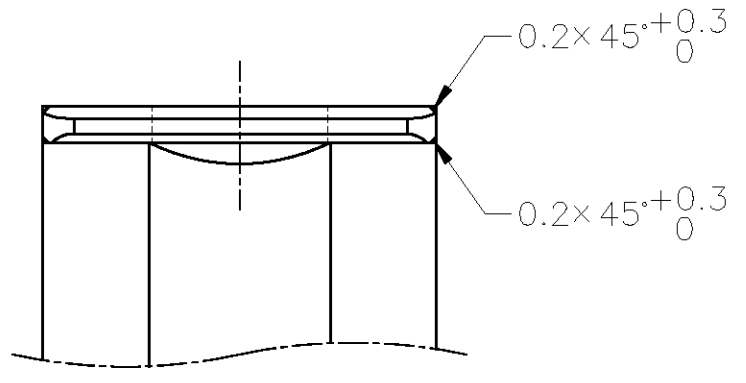
DWN T.SHINOHARA 22NOV01  
 CHK A.YAMAGUCHI 22NOV01  
 APVD K.BETSUI 22NOV01  
 PRODUCT SPEC 製品規格 108-5262  
 APPLICATION SPEC 取付適用規格  
 WEIGHT 5.2g

WIRE RANGE 抱合電線断面積		INSULATION DIA 被覆外径	
<b>STE</b> TE Connectivity			
NAME 名称 2Pos. ECONOSEAL J-MARKII+ CONNECTOR PLUG HOUSING			
SIZE	CAGE CODE	DRAWING NO 番号	RESTRICTED TO
A3	00779	C-174352	-
CUSTOMER DRAWING		SCALE 尺度 2:1	SHEET 1 OF 2 REV E3

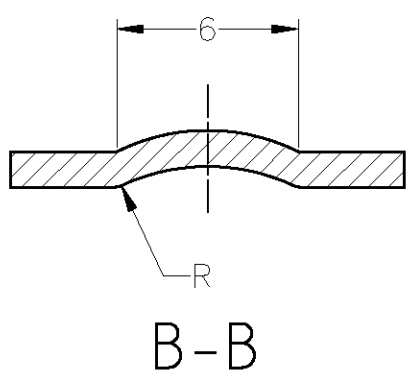
THIS DRAWING IS UNPUBLISHED. RELEASED FOR PUBLICATION  
 © COPYRIGHT - By - ALL RIGHTS RESERVED.

LOC	DIST	REVISIONS					
J	-	P	LTR	DESCRIPTION	DATE	DWN	APVD
		-		SEE SHEET 1	-	-	-

ブラケット推奨寸法図  
 RECOMMENDED DIMENSION OF BRACKET



t = 1.2 ± 0.08



TOLERANCE UNLESS OTHERWISE SPECIFIED: 一般公差

0 < x ≤ 10	: ±0.2
10 < x ≤ 30	: ±0.25
30 < x ≤ 100	: ±0.3
ANGLE ; 角度	: ±3°

THIS DRAWING IS A CONTROLLED DOCUMENT.		DWN T.SHINOHARA 09FEB04	TE Connectivity													
DIMENSIONS: 単位: 耗 mm		CHK K.BETSUI 09FEB04														
TOLERANCES UNLESS OTHERWISE SPECIFIED: 一般公差		APVD K.BETSUI 09FEB04	NAME 名称 2Pos. ECONOSEAL J-MARKII+ CONNECTOR PLUG HOUSING													
<table border="1"> <tr> <td>0 PLC</td> <td>± -</td> </tr> <tr> <td>1 PLC</td> <td>± -</td> </tr> <tr> <td>2 PLC</td> <td>± -</td> </tr> <tr> <td>3 PLC</td> <td>± -</td> </tr> <tr> <td>4 PLC</td> <td>± -</td> </tr> <tr> <td>ANGLES</td> <td>± -</td> </tr> </table>		0 PLC	± -	1 PLC	± -	2 PLC	± -	3 PLC	± -	4 PLC	± -	ANGLES	± -	PRODUCT SPEC 製品規格	SIZE A3 CAGE CODE 00779 DRAWING NO. C-174352 RESTRICTED TO -	
0 PLC	± -															
1 PLC	± -															
2 PLC	± -															
3 PLC	± -															
4 PLC	± -															
ANGLES	± -															
MATERIAL 材料		APPLICATION SPEC 取付適用規格	SCALE 尺度 4:1 SHEET 2 OF 2 REV E3													
FINISH 仕上		WEIGHT	CUSTOMER DRAWING													

# Mouser Electronics

Authorized Distributor

Click to View Pricing, Inventory, Delivery & Lifecycle Information:

[TE Connectivity:](#)

[174352-2](#)