

THIS DRAWING IS UNPUBLISHED.

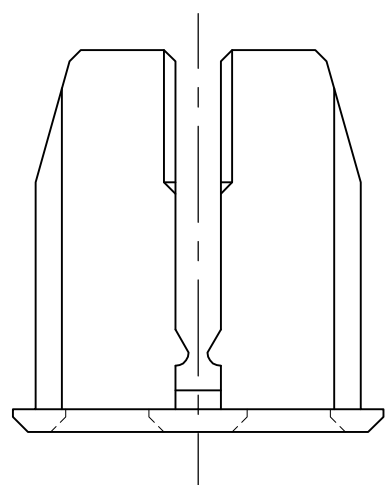
RELEASED FOR PUBLICATION

REVISIONS

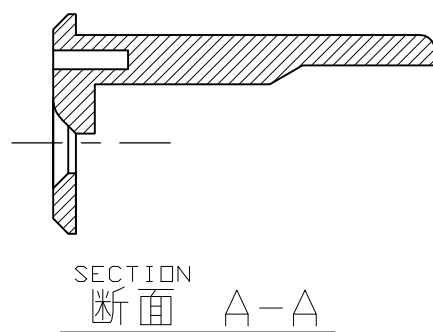
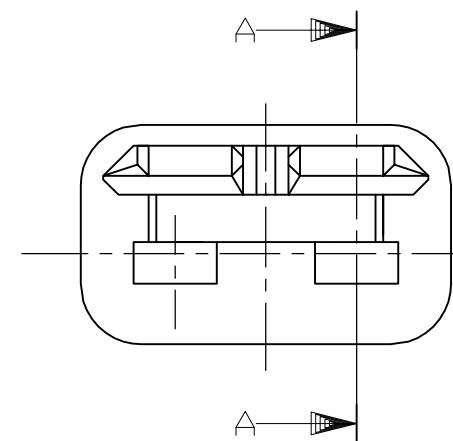
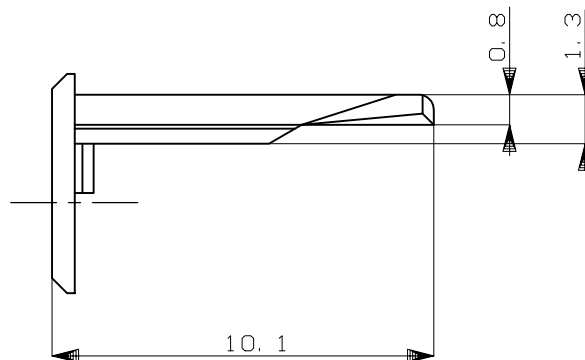
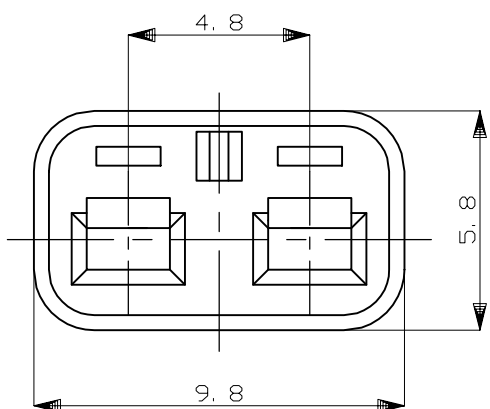
© COPYRIGHT - By -

ALL RIGHTS RESERVED.

P	LTR	DESCRIPTION	DATE	DWN	APVD
	C2	REVISED	ECR-18-009736	22JUN2018	TS HY



勝特力材料 886-3-5753170  
 勝特力电子(上海) 86-21-34970699  
 勝特力电子(深圳) 86-755-83298787  
[Http://www.100y.com.tw](http://www.100y.com.tw)



1. 本品は、プラグハウジング型番174352及び2822348に装着される

1. TO BE MATED WITH PLUG HOUSING PART NUMBER 174352 AND 2822348

HB	自然色 (NATURAL)	1-174353-1
V-2	黄 (YELLOW)	174353-7
使用材料難燃グレード (FLAMMABILITY OF MATERIAL)	色 (COLOR)	型番 (PART NUMBER)

GENERAL TOLERANCE

0 < * ≤ 10	: ±0.2
10 < * ≤ 30	: ±0.25
30 < * ≤ 100	: ±0.3
ANGLES	: ±3°

THIS DRAWING IS A CONTROLLED DOCUMENT.		DWN	K.ODA	8/13'87	<b>TE Connectivity Ltd.</b>											
DIMENSIONS: mm		CHK	Y.MATSUSAKA	8/24'87												
TOLERANCES UNLESS OTHERWISE SPECIFIED:		APVD	M.NOBUCHI	8/19'87												
<table border="1"> <tr><td>0 PLC</td><td>± -</td></tr> <tr><td>1 PLC</td><td>± -</td></tr> <tr><td>2 PLC</td><td>± -</td></tr> <tr><td>3 PLC</td><td>± -</td></tr> <tr><td>4 PLC</td><td>± -</td></tr> <tr><td>ANGLES</td><td>± -</td></tr> </table>		0 PLC	± -	1 PLC				± -	2 PLC	± -	3 PLC	± -	4 PLC	± -	ANGLES	± -
0 PLC	± -															
1 PLC	± -															
2 PLC	± -															
3 PLC	± -															
4 PLC	± -															
ANGLES	± -															
MATERIAL	PBT	PRODUCT SPEC	108-5262		SIZE	CAGE CODE	DRAWING NO	RESTRICTED TO								
		APPLICATION SPEC	-		A3	00779	G-174353	-								
		FINISH	-		CUSTOMER DRAWING		SCALE	SHEET	REV							
			WEIGHT		0.12 g	5:1	1 OF 1	C2								

# Mouser Electronics

Authorized Distributor

Click to View Pricing, Inventory, Delivery & Lifecycle Information:

[TE Connectivity:](#)

[174353-7](#)