

THIS DRAWING IS UNPUBLISHED.

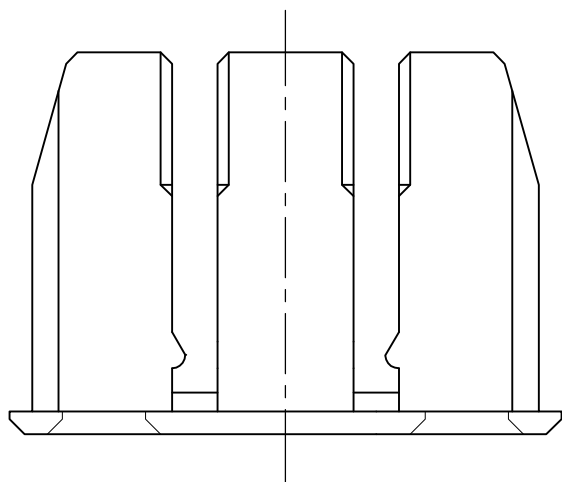
RELEASED FOR PUBLICATION

ALL RIGHTS RESERVED.

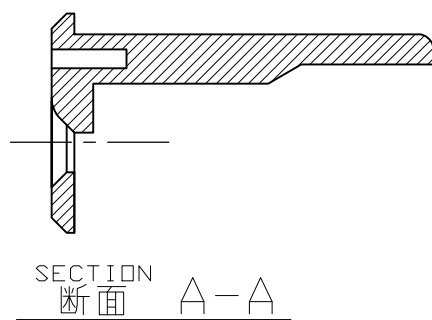
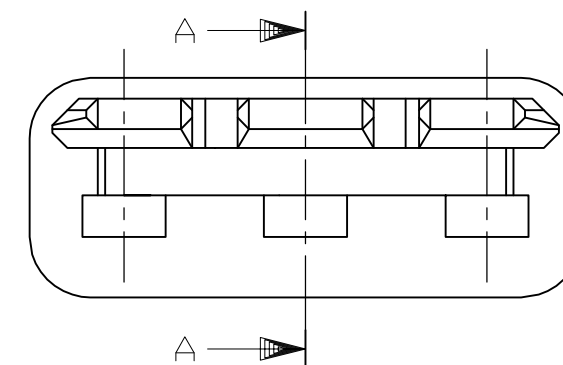
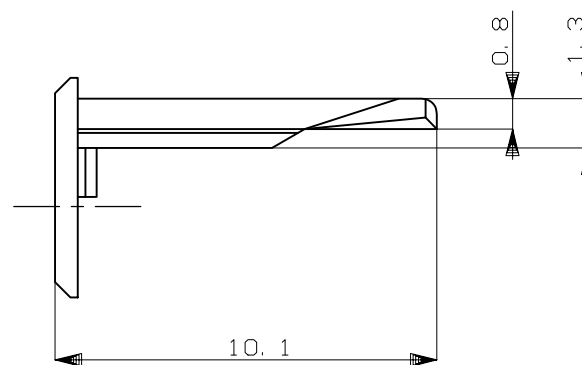
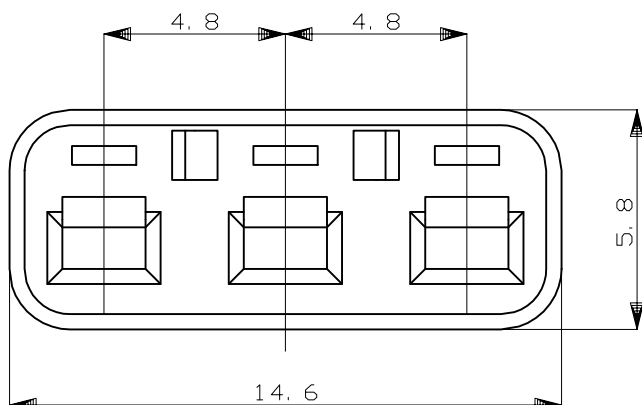
© COPYRIGHT - By -

REVISIONS

| P | LTR | DESCRIPTION | DATE | DWN | APVD |
|---|-----|-------------|---------------|-----------|-------|
| | C2 | REVISED | ECR-18-009736 | 22JUN2018 | TS HY |



勝特力材料 886-3-5753170
 勝特力电子(上海) 86-21-34970699
 勝特力电子(深圳) 86-755-83298787
[Http://www.100y.com.tw](http://www.100y.com.tw)



1. 本品は、プラグハウジング型番174357及び2822390に装着される。

1. TO BE MATED WITH PLUG HOUSING PART NUMBER 174357 AND 2822390

| | | |
|---------------------------------------|---------------|----------------------------|
| HB | 自然色 (NATURAL) | 1-174358-1 |
| V-2 | 黄 (YELLOW) | 174358-7 |
| 使用材料難燃グレード (FLAMMABILITY OF MATERIAL) | | 色 (COLOR) 型番 (PART NUMBER) |

| | | | | | | | | |
|---|--|-------------------------|----------------------|-----------|--------------|--|-----------|------------|
| THIS DRAWING IS A CONTROLLED DOCUMENT. | | DWN K.ODA 8/19'87 | TE Connectivity Ltd. | | | | | |
| DIMENSIONS: mm | | CHK Y.MATSUSAKA 8/24'87 | | | | NAME | | |
| TOLERANCES UNLESS OTHERWISE SPECIFIED: | | APVD M.NOGUCHI 8/25'87 | | | | 3P. ECONOSEAL J-MARKII+ CONNECTOR DOUBLE LOCK PLATE FOR PLUG HOUSING | | |
| 0 PLC ± - 1 PLC ± - 2 PLC ± - 3 PLC ± - 4 PLC ± - ANGLES ± - | | PRODUCT SPEC 108-5262 | | | | SIZE | CAGE CODE | DRAWING NO |
| MATERIAL PBT | | FINISH - | WEIGHT 0.19 g | A300779 | C=174358 | RESTRICTED TO | | |
| GENERAL TOLERANCE | | CUSTOMER DRAWING | | SCALE 5:1 | SHEET 1 OF 1 | REV C2 | | |
| 0 < * ≤ 10 : ±0.2 10 < * ≤ 30 : ±0.25 30 < * ≤ 100 : ±0.3 ANGLES : ±3° | | | | | | | | |

Mouser Electronics

Authorized Distributor

Click to View Pricing, Inventory, Delivery & Lifecycle Information:

[TE Connectivity:](#)

[174358-7](#)