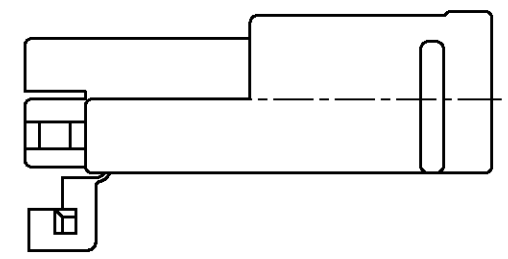
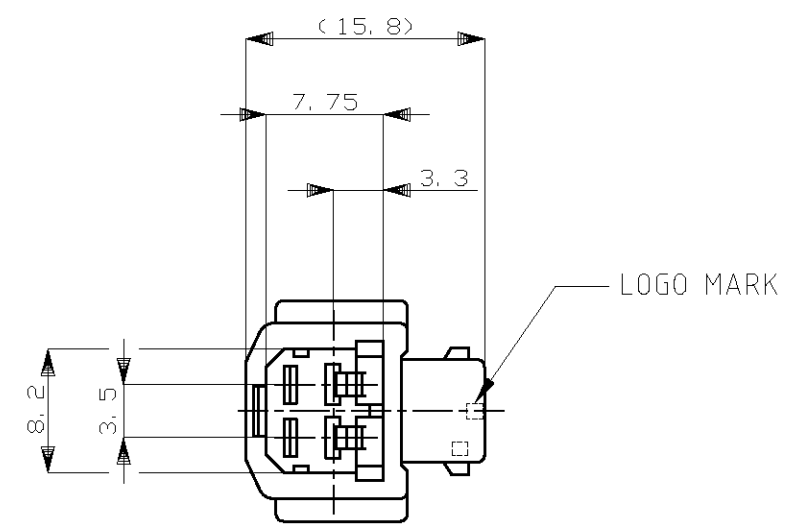
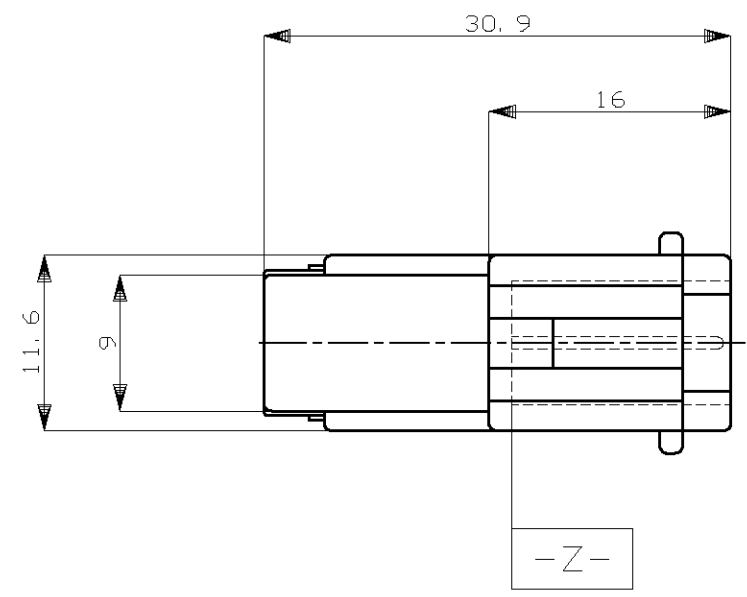


THIS DRAWING IS UNPUBLISHED. RELEASED FOR PUBLICATION
 © COPYRIGHT - By - ALL RIGHTS RESERVED.

LOC	DIST	REVISIONS					
J	-	P	LTR	DESCRIPTION	DATE	DWN	APVD
		H1	REVISED	ECR-13-007843	13MAY2013	TS	KB

勝特力電材超市-龍山店 886-3-5773766
 勝特力電材超市-光復店 886-3-5729570
 勝特力電子(上海) 86-21-34970699
 勝特力電子(深圳) 86-755-83298787
<http://www.100y.com.tw>



- 1. MUST BE KEPT BETWEEN [-A-] AND 2mm
 - 2. THE MATING PLUG HOUSING PART NUMBER 174463
 - 3. APPLIED TAB CONTACT ; PN 173645, 173633.
- 1. [-A-] 面より2mmの範囲で測定
 - 2. 嵌合相手ハウジング型番 174463
 - 3. 内装するタブコンタクトは型番 173645, 173633

OBSOLETE	黄 (YELLOW)	174460-7
OBSOLETE	灰 (GRAY)	174460-6
OBSOLETE	青 (BLUE)	174460-5
	黒 (BLACK)	174460-2
	白 (WHITE)	174460-1
	色 (COLOR)	型番 (PART NUMBER)

TOLERANCE UNLESS OTHERWISE SPECIFIED: 一般公差

0 < x ≤ 10	: ±0.2
10 < x ≤ 30	: ±0.25
30 < x ≤ 100	: ±0.3
ANGLE ; 角度	: ±3°

THIS DRAWING IS A CONTROLLED DOCUMENT.

DWN	S.FUJITA	18AUG08	STE TE Connectivity
CHK	K.BETSUI	18AUG08	
APVD	K.BETSUI	18AUG08	
NAME	.070 SERIES MULTILOCK I/O CONNECTOR		
PRODUCT SPEC	製品規格 108-5264		2POSITION CAP HOUSING W-W
APPLICATION SPEC	取付適用規格 114-5092		
WEIGHT	2.1 g	SIZE	A3
MATERIAL 材料 PBT		CAGE CODE	00779
FINISH 仕上 -		DRAWING NO 番号	C-174460
		RESTRICTED TO	-
CUSTOMER DRAWING		SCALE 尺度	2:1
		SHEET	1 OF 1
		REV	H1

Mouser Electronics

Authorized Distributor

Click to View Pricing, Inventory, Delivery & Lifecycle Information:

[TE Connectivity:](#)

[174460-1](#)