

THIS DRAWING IS UNPUBLISHED.

RELEASED FOR PUBLICATION

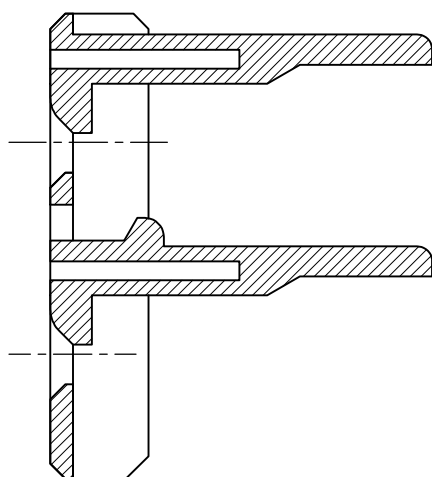
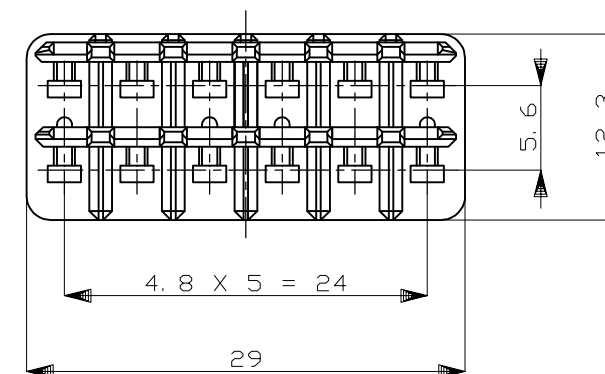
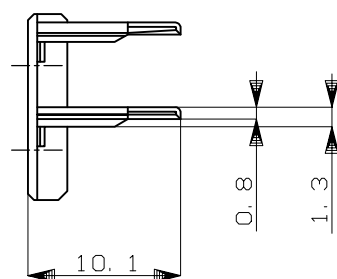
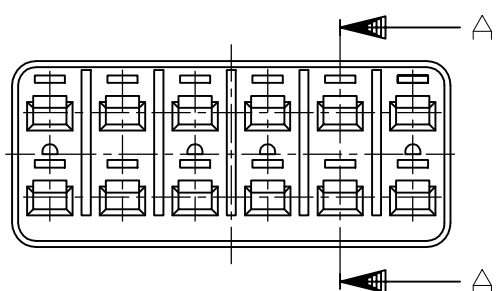
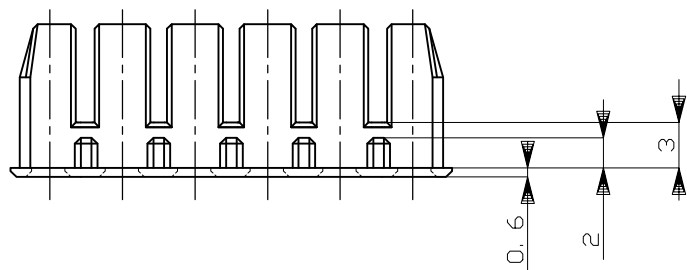
ALL RIGHTS RESERVED.

© COPYRIGHT - By -

REVISIONS

P	LTR	DESCRIPTION	DATE	DWN	APVD
	B2	REVISED	ECR-18-009736	22JUN2018	TS HY

勝特力材料 886-3-5753170
勝特力电子(上海) 86-21-34970699
勝特力电子(深圳) 86-755-83298787
[Http://www.100y.com.tw](http://www.100y.com.tw)



SECTION
断面 A-A
(尺度 5:1)

1. 本品は、プラグハウジング型番174661及び2822638に装着される

1. TO BE MATED WITH PLUG HOUSING PART NUMBER 174661 AND 2822638

HB	自然色 (NATURAL)	1-174662-1
V-2	黄 (YELLOW)	174662-7
使用材料難燃グレード (FLAMMABILITY OF MATERIAL)	色 (COLOR)	型番 (PART NUMBER)

THIS DRAWING IS A CONTROLLED DOCUMENT.		DWN K.ODA 5/2587	TE Connectivity Ltd.					
DIMENSIONS: mm		CHK Y.MATSUSAKA 5/28'87				NAME 12P. ECONOSEAL J-MARKII+ CONNECTOR DOUBLE LOCK PLATE FOR PLUG HOUSING		
		APVD M.NOGUCHI 11/4'88				PRODUCT SPEC 108-5262		
		APPLICATION SPEC -						
MATERIAL PBT		FINISH -	WEIGHT 1 g	SIZE A3	CAGE CODE 00779	DRAWING NO C-174662	RESTRICTED TO -	
GENERAL TOLERANCE 0 < * ≤ 10 : ±0.2 10 < * ≤ 30 : ±0.25 30 < * ≤ 100 : ±0.3 ANGLES : ±3°			CUSTOMER DRAWING		SCALE 2:1	SHEET 1 OF 1	REV B2	

Mouser Electronics

Authorized Distributor

Click to View Pricing, Inventory, Delivery & Lifecycle Information:

[TE Connectivity:](#)

[174662-7](#)