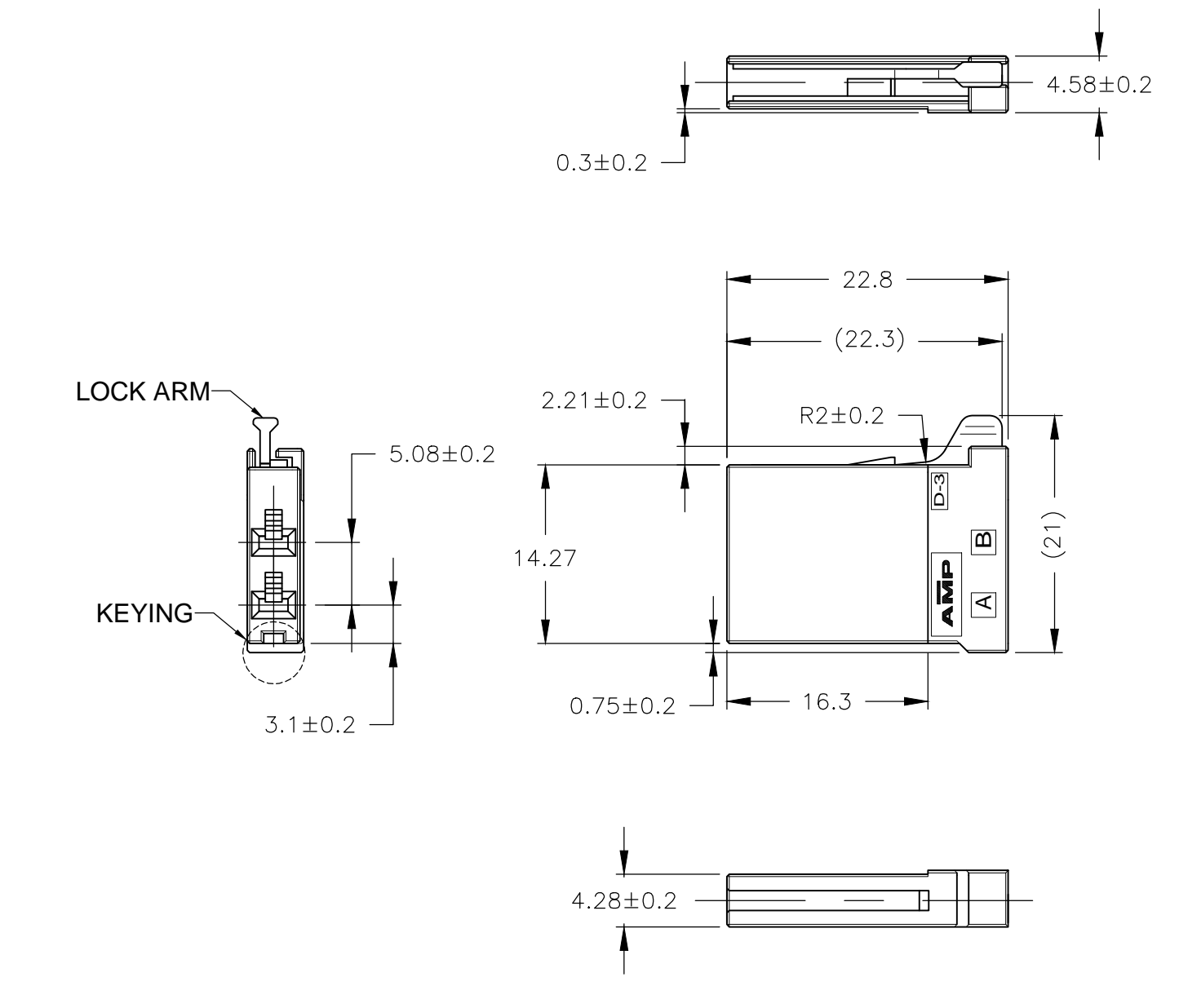


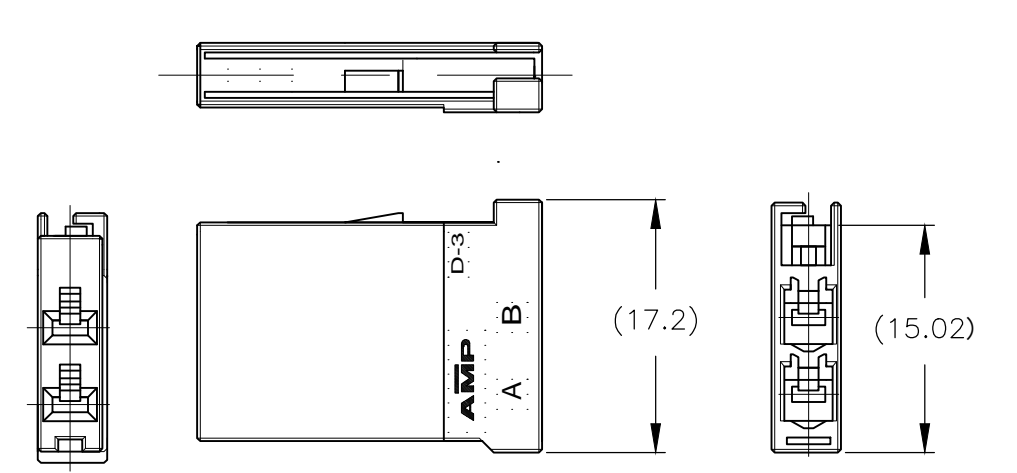
THIS DRAWING IS UNPUBLISHED. RELEASED FOR PUBLICATION
 © COPYRIGHT - TE Connectivity Ltd. ALL RIGHTS RESERVED.

P	LTR	DESCRIPTION	DATE	DWN	APVD
E		REVISED PER ECR-19-012746	14AUG2019	T.S	E.I



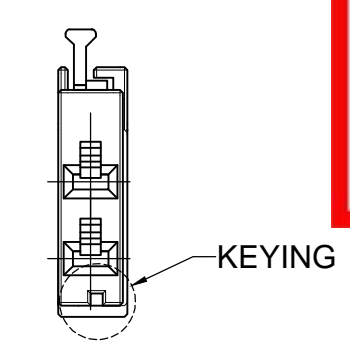
175362-1:AS SHOWN
 KEYING:X
 LOCK ARM:WITH

1.MATERIAL:GALSS FIELD THERMO PLASTIC POLYESTER
 2.QUALIFICATION TEST REPORT:501-5013




175362-2:AS SHOWN
 LOCK ARM: W/O

勝特力電材超市-龍山店 886-3-5773766
 勝特力電材超市-光復店 886-3-5729570
 勝特力电子(上海) 86-21-34970699
 勝特力电子(深圳) 86-755-83298787
<http://www.100y.com.tw>



175362-3:AS SHOWN
 KEYING: Y

LOCK ARM	COLOR	KEYING	PART NUMBER
WITH	BLUE	X	2-175362-1
WITH	NATURAL	X	1-175362-1
WITH	BLACK	Y	175362-3
W/O	BLACK	X	175362-2
WITH	BLACK	X	175362-1

THIS DRAWING IS A CONTROLLED DOCUMENT.		DWN T.YONEBAYASHI 18MAR1992	 TE Connectivity	
DIMENSIONS: mm		CHK S.MANABE 07APL1992		
TOLERANCES UNLESS OTHERWISE SPECIFIED:		APVD S.MANABE 07APL1992	NAME DYNAMIC D3500 RECEPTACLE HOUSING 2POSN	
0 PLC ± 0.25 1 PLC ± 0.25 2 PLC ± 0.25 3 PLC ± 0.25 4 PLC ± - ANGLES ± 3°		PRODUCT SPEC 108-5349	RESTRICTED TO	
MATERIAL		APPLICATION SPEC	SIZE A3	CAGE CODE 00779
FINISH		WEIGHT 0	DRAWING NO C-175362	REV E
CUSTOMER DRAWING			SCALE 2:1	SHEET 1 OF 1

Mouser Electronics

Authorized Distributor

Click to View Pricing, Inventory, Delivery & Lifecycle Information:

[TE Connectivity:](#)

[175362-1](#)