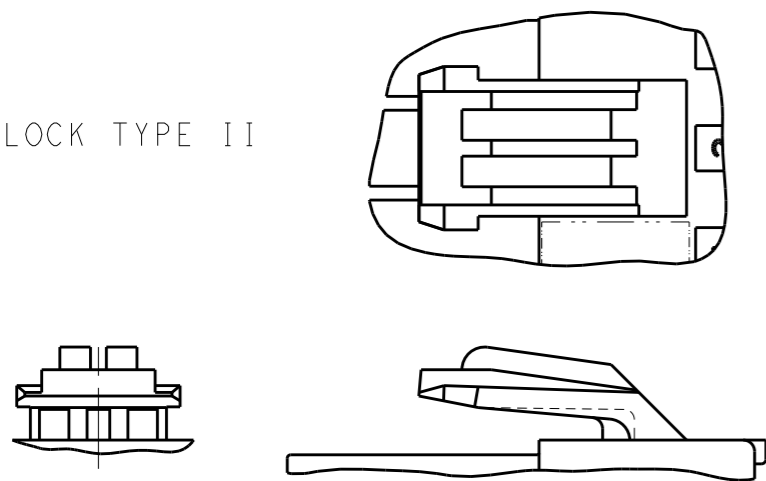


THIS DRAWING IS UNPUBLISHED. RELEASED FOR PUBLICATION 20
© COPYRIGHT 20 BY - ALL RIGHTS RESERVED.

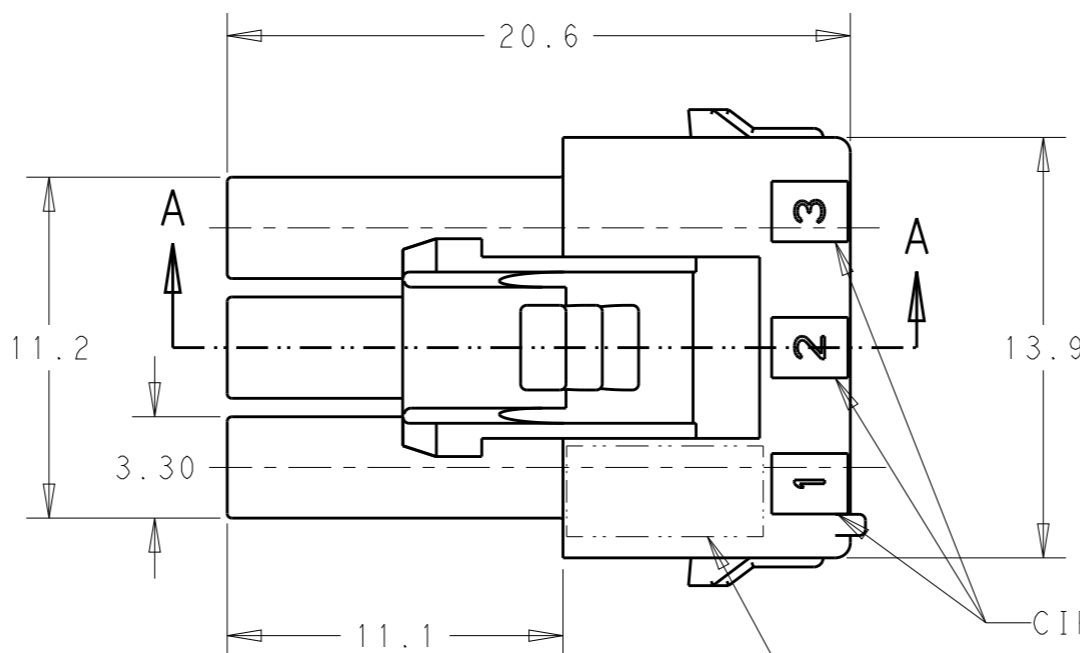
REVISIONS

P	LTR	DESCRIPTION	DATE	DWN	APVD
	E5	REVISED PER ECR-19-003343	06MAR2019	N.L	D.Z

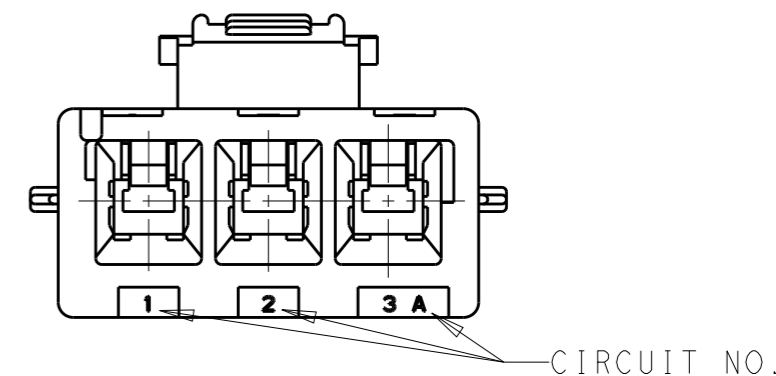
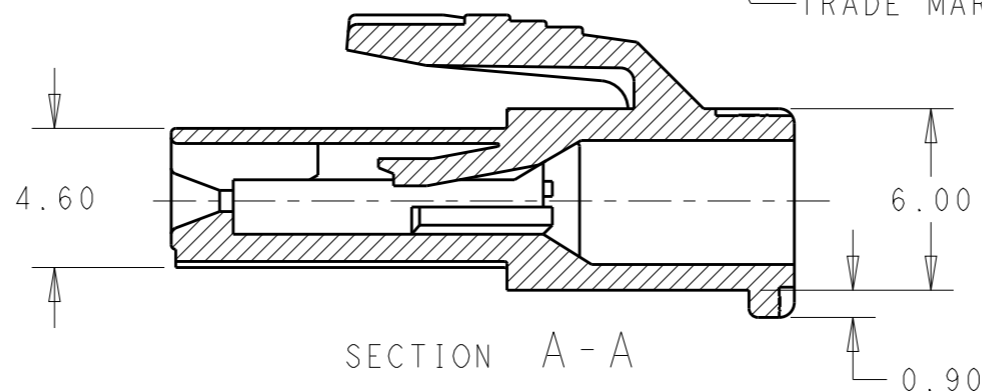
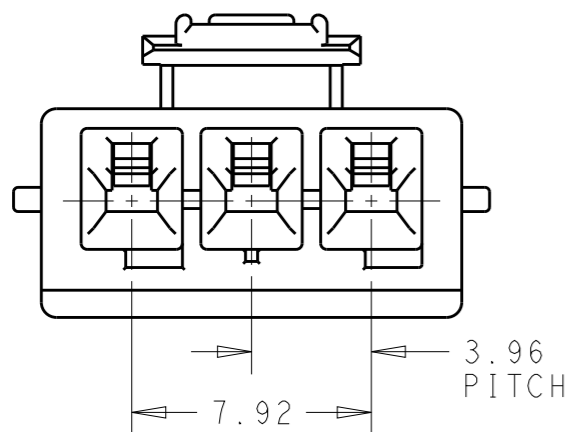
LOCK TYPE II



SCALE 3:1



勝特力電材超市-龍山店 886-3-5773766
 勝特力電材超市-光復店 886-3-5729570
 勝特力電子(上海) 86-21-34970699
 勝特力電子(深圳) 86-755-83298787
<http://www.100y.com.tw>



- 1 APPLICABLE CONTACT P/N
 REC CONTACT : 177915-X (AWG#20-#16)
 177914-X (AWG#26-#22)
 X-2232901-X(AWG#20-#16)
 X-2232902-X(AWG#26-#22)
- 2 MATING CONN. P/N
 CAP HSG : 177907-X (PANEL MOUNT)
 179464-X (FREE HANGING)

 TAB CONTACT : 177917-X (AWG#20-#16)
 177916-X (AWG#26-#22)

6 PART 5-177899-1 COMPLY WITH GLOW WIRE REQUIREMENT FOR PARTS OF NON-METALLIC MATERIAL SUPPORTING A CURRENT-CARRYING CONNECTION DETAILED IN IEC 60335-1, SECTION 30 (GWT)

LOCK TYPE II	BLUE	3	3-177899-6
	NATURAL	3	3-177899-1
LOCK TYPE I	NATURAL	3	5-177899-1
	BLACK	3	177899-9
	BLUE	3	177899-6
	YELLOW	3	177899-4
	RED	3	177899-2
LOCK TYPE	NATURAL	3	177899-1
	HOUSING COLOR	POS	PART NUMBER

- 3 APPLICABLE PLATE P/N : 177919-X
- 4 INSTRUCTION SHEET : 411-5638
- 5 ALL PARTS MEET RTI ELECTRICAL RATING OF 105°C ACCORDING TO UL1977.

THIS DRAWING IS A CONTROLLED DOCUMENT.		DWN J. SATO 25OCT2007	STE TE Connectivity	
DIMENSIONS: mm		CHK S. MANABE 25OCT2007		
TOLERANCES UNLESS OTHERWISE SPECIFIED:		APVD S. MANABE 25OCT2007	NAME AMP POWER DOUBLE LOCK 3.96mm PITCH 3 POS PLUG HSG (SGL. ROW)	
0 PLC ±		PRODUCT SPEC 108-5410	SIZE A3	
1 PLC ±0.25		APPLICATION SPEC 114-5175	CAGE CODE 00779	DRAWING NO C=177899
2 PLC ±0.20		WEIGHT -	RESTRICTED TO	
3 PLC ±		MATERIAL -	RESTRICTED CUSTOMER	
4 PLC ±			SCALE N/A	SHEET 1 OF 1
ANGLES ±3°				
FINISH -				

Mouser Electronics

Authorized Distributor

Click to View Pricing, Inventory, Delivery & Lifecycle Information:

[TE Connectivity:](#)

[177899-1](#)