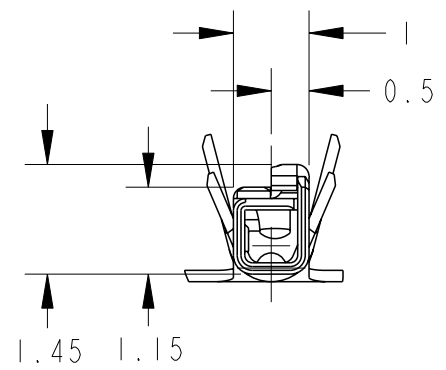
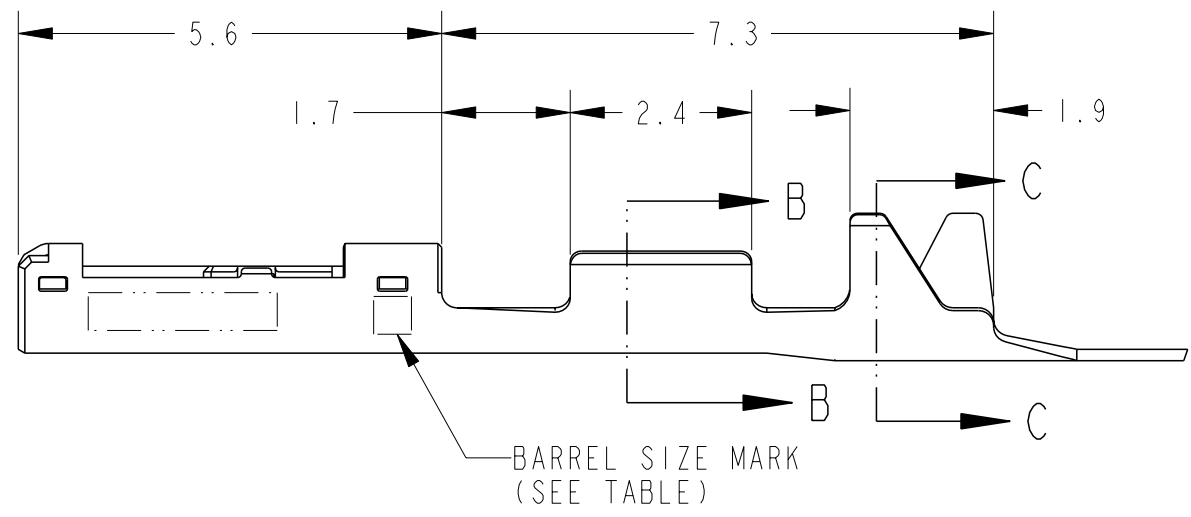
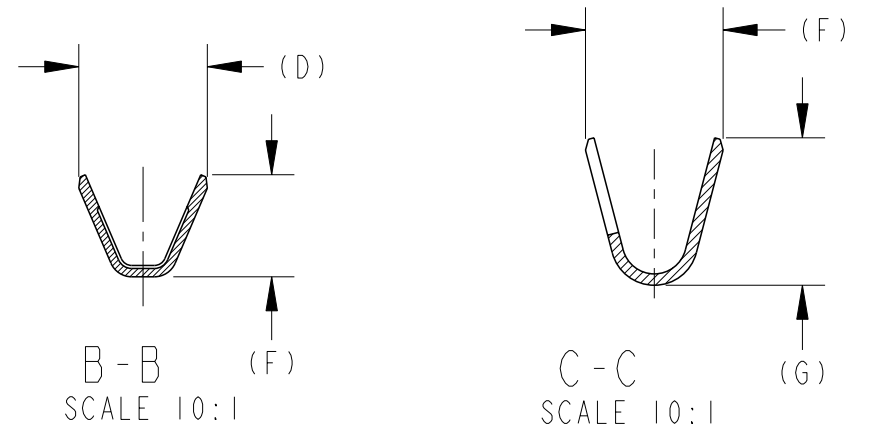
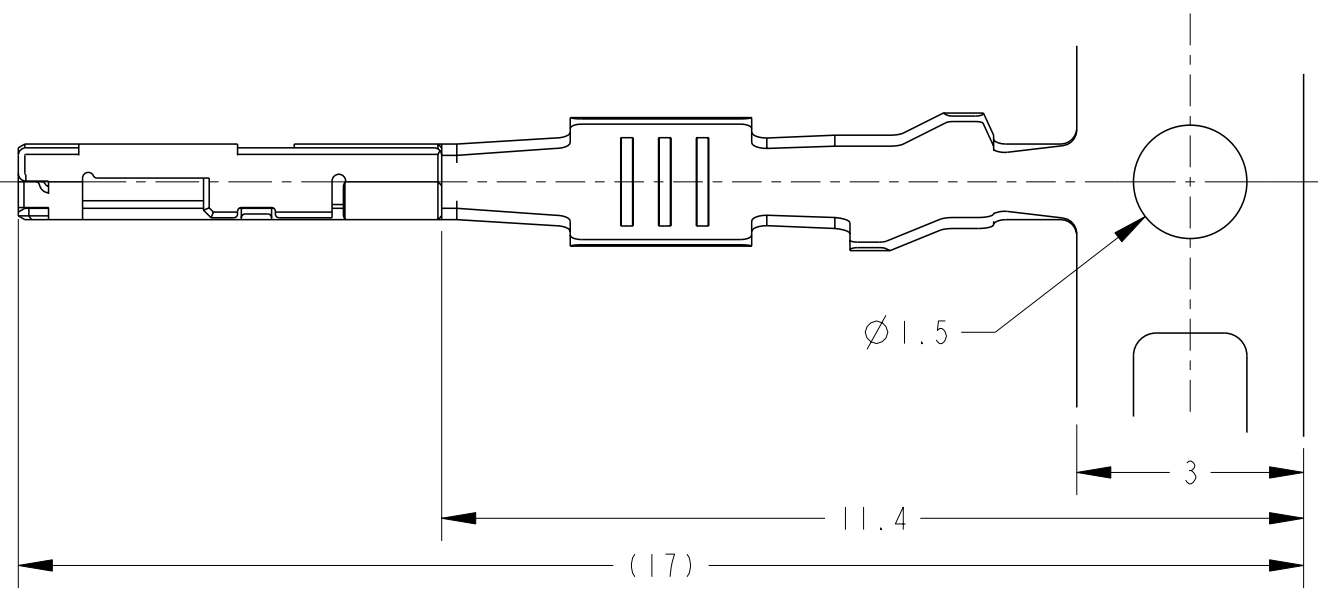


勝特力材料 886-3-5753170
勝特力电子(上海) 86-21-34970699
勝特力电子(深圳) 86-755-83298787
Http://www.100y.com.tw

REVISIONS

P	LTR	DESCRIPTION	DATE	DWN	APVD
A1		REVISED	ECR-19-005935	16OCT2019	DM HK
A2		REVISED	ECR-20-004548	27MAR2020	DT RK
A3		REVISED	ECR-20-004890	09APR2020	DT RK
A4		REVISED	ECR-21-118871	21OCT2021	RK KK



1. 適用電線; TABLE-1参照
 2. 圧着作業については、下記の規格を参照すること
取付適用規格; 114-5379
 3. アプリケータ送りピッチ; 7mm
1. APPLICABLE WIRE RANGE; SEE TABLE-1
 2. MUST BE REFERRED TO THE FOLLOWING DOCUMENTS FOR CRIMPING OPERATION
APPLICATION SPEC; 114-5379
 3. APPLICATOR FEED; 7mm

TABLE-1

	CHFUS/CIVUS 0.22~0.35mm ²	Ø0.95~1.2	0.22~0.35mm ²	1.95	1.82	1.35	1.7	M	0.50 REC (M)	1827855-9	
	CHFUS/CIVUS 0.13~0.22mm ²	Ø0.85~0.95	0.13~0.22mm ²	1.74	1.82	1.26	1.7	S	0.50 REC (S)	1827855-4	
	CPEX 0.22mm ²	Ø1.3~1.5	0.22~0.35mm ²	2.45	2.1	1.35	1.7	C	0.50 REC (C)	1827855-3	
	CHFUS/CIVUS 0.35~0.5mm ²	Ø1.1~1.4	0.35~0.5mm ²	2.45	2.1	1.7	1.8	L	0.50 REC (L)	1827855-2	
TO BE SUPERSEDE 1827855-9	1903365-1	CHFUS/CIVUS 0.22~0.35mm ²	Ø0.95~1.2	0.22~0.35mm ²	1.95	1.82	1.35	1.7	M	0.50 REC (M)	1827855-1
LOOSE PIECE	APPLICABLE WIRE RANGE	INS RANGE	WIRE RANGE	G	F	E	D	BARREL SIZE MARK	NAME	PART NO	

THIS DRAWING IS A CONTROLLED DOCUMENT.

DIMENSIONS: 単位: 耗 mm	TOLERANCES UNLESS OTHERWISE SPECIFIED: 一般公差 ±0.3 0-PLC ± 1-PLC ±0.3 2-PLC ±0.10 3-PLC ±0.001 4-PLC ±0.0001 ANGLES ±3'00"
MATERIAL 材料 COPPER ALLOY	FINISH 仕上 PRE-TIN

DWN Y. SUEMITSU 25APR2005	CHK K. SAKAMAKI 25APR2005	APVD S. ISOHATA 25APR2005
PRODUCT SPEC 108-78208		
APPLICATION SPEC 取付適用規格 114-5379		
WEIGHT 0.06 g	SIZE A3	CAGE CODE 00779
CUSTOMER DRAWING		

TE TE Connectivity

NAME
名称 RECEPTACLE CONTACT, CRIMP TYPE,
0.50 SERIES

DRAWING NO
番号 C=1827855

RESTRICTED TO
-

SCALE
尺度 10:1

SHEET
1 OF 1

REV
A4

printed on 21 Dec 2021 14:41 (from FJD24691

Mouser Electronics

Authorized Distributor

Click to View Pricing, Inventory, Delivery & Lifecycle Information:

[TE Connectivity:](#)

[1827855-1](#) [1827855-1 \(Mouser Reel\)](#)