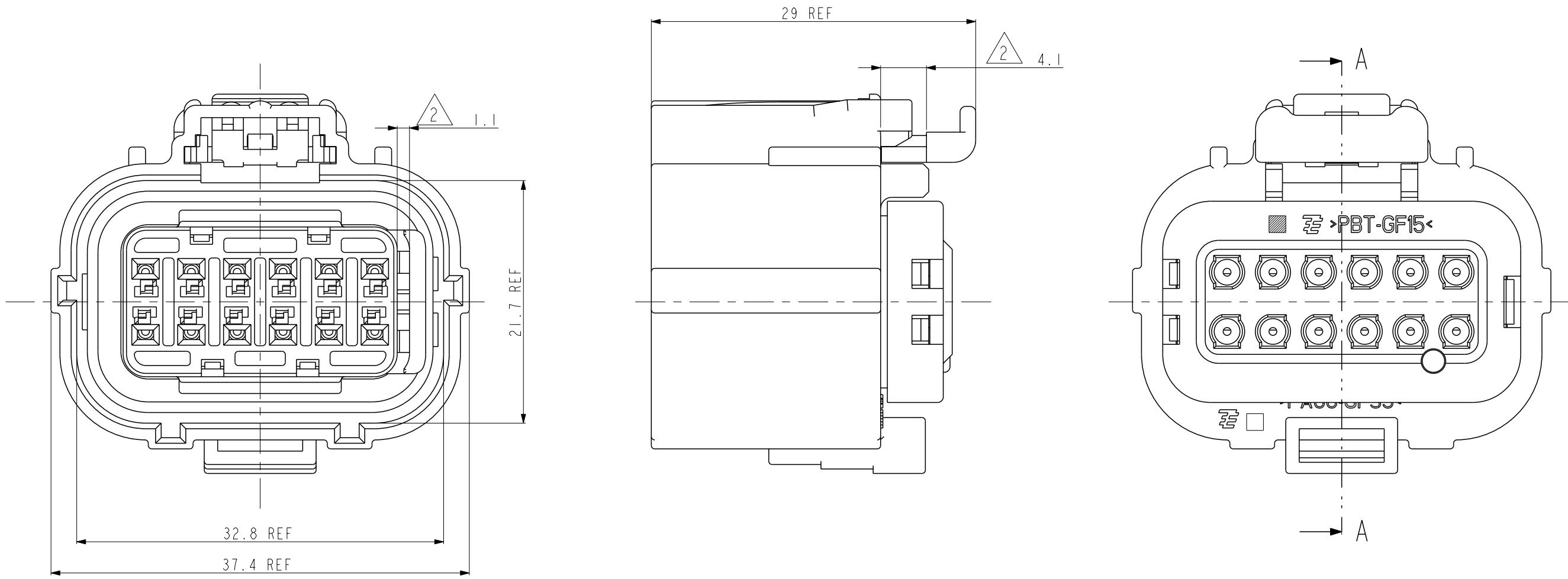


THIS DRAWING IS UNPUBLISHED. RELEASED FOR PUBLICATION 2008  
 © COPYRIGHT 2009 BY TE CONNECTIVITY ALL RIGHTS RESERVED.

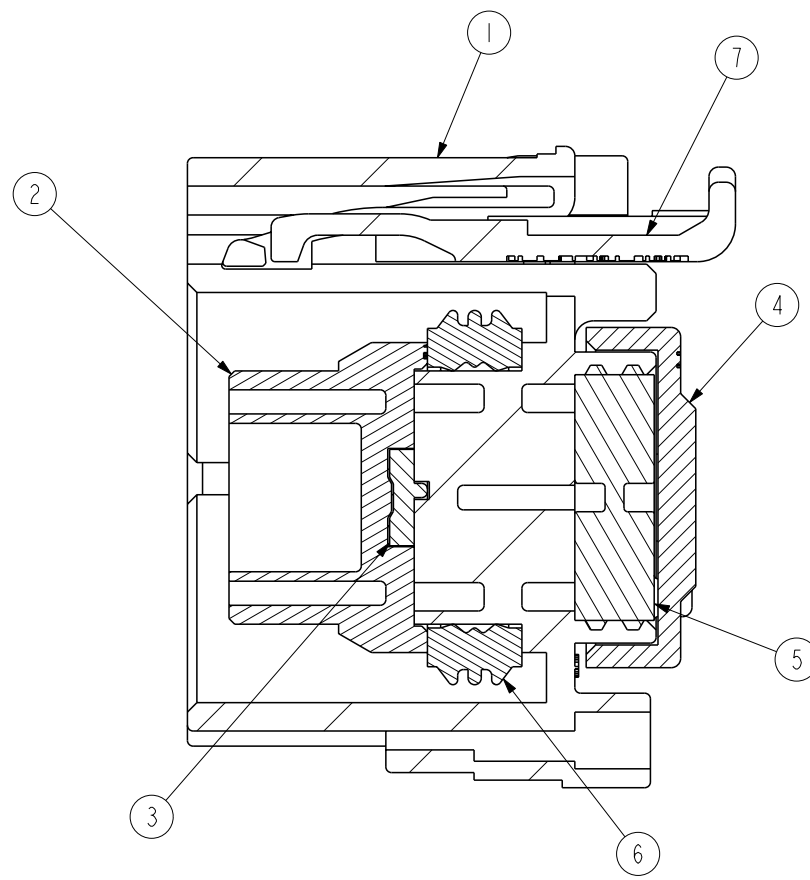
REVISIONS					
P	LTR	DESCRIPTION	DATE	DWN	APVD
	A	RELEASED	13/FEB/08	DR	HG
	A1	REVISED (ECR-17-000205)	03.NOV.'09	DR	HG
	A2	REVISED (ECR-17-000323)	10JAN2017	JM	JW
	A3	REVISED (ECR-21-002274)	23FEB2021	YH	YJ



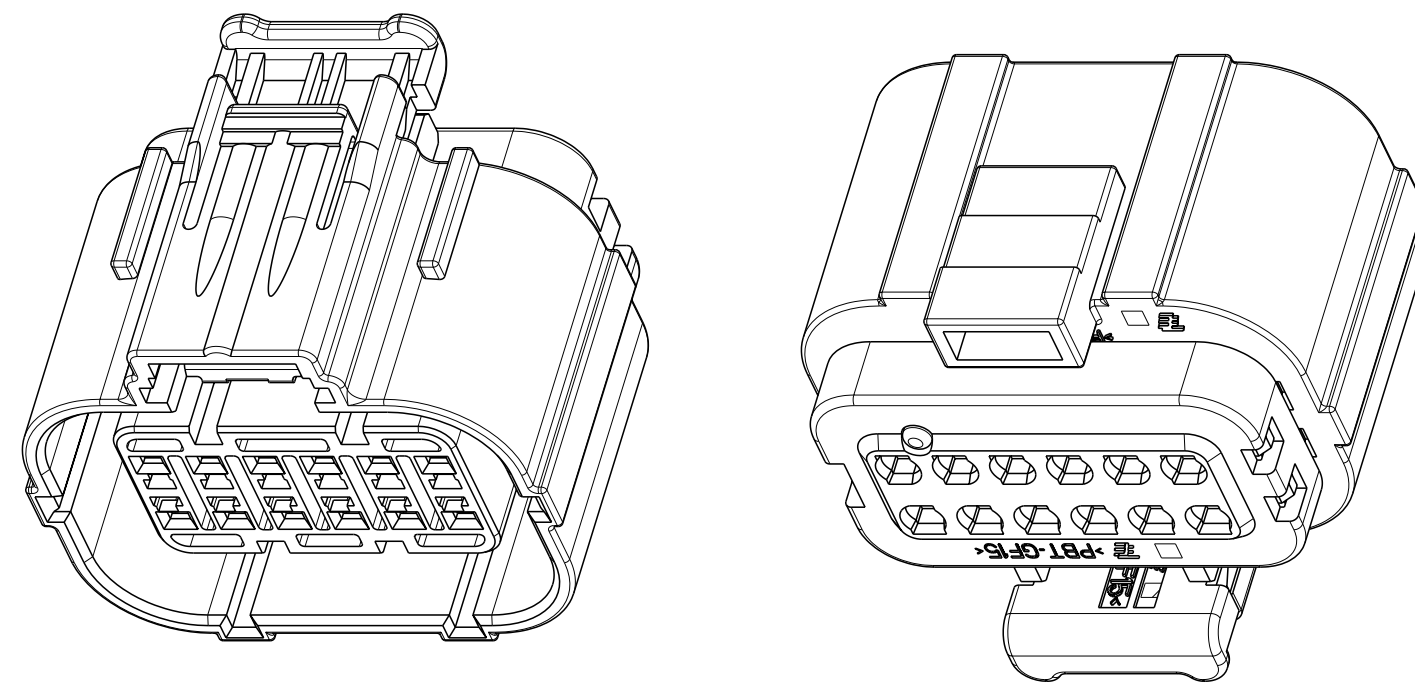
- NOTE
- GENERAL TOLERANCE :  $\pm 0.3$ ,  $\pm 3^\circ$
  - CONDITION OF DELIVERY
  - APPLIED MATING P/N : 1897458
  - APPLIED CONTACT P/N : TABLE I
  - APPLICABLE CAVITY PLUG P/N : 1-2109258-8

< TABLE I >

TYPE	PART NO.	WIRE SIZE(mm2)	FINISH
MCP 1.2MM	0-1394897-1	0.5~0.75	TIN
	0-1394897-2	0.5~0.75	GOLD
	0-1452503-1	1.0~1.5	TIN
	0-1452503-2	1.0~1.5	GOLD



SECTION A-A



3D VIEW  
SCALE 2:1

NO.	COLOR	MATERIAL	DESCRIPTION	Q'TY	ASS'Y P/N
7	RED	PBT-GF15	CPA PLATE	1	1897462-2
6	RED ORANGE	SILICONE	INNER SEAL	1	
5	RED ORANGE	SILICONE	FAMILY SEAL	1	
4	GRAY	PBT-GF15	REAR HOLDER HSG	1	
3	NATURE	PBT-GF15	FRONT DBL HSG	1	
2	BLACK	PA66-GF15	FRONT HOLDER HSG	1	
1	BLACK	PA66-GF35	PLUG HSG	1	

勝特力電材超市-龍山店 886-3-5773766  
 勝特力電材超市-光復店 886-3-5729570  
 勝特力電子(上海) 86-21-34970699  
 勝特力電子(深圳) 86-755-83298787  
<http://www.100y.com.tw>

THIS DRAWING IS A CONTROLLED DOCUMENT.

DWN JM JEON	TE Connectivity
CHK -	
APVD JW JUNG	NAME MCP 1.2MM SEALED 12P PLUG ASS'Y
PRODUCT SPEC	SIZE A2
APPLICATION SPEC	CAGE CODE 00779
WEIGHT	DRAWING NO C-1897462
CUSTOMER DRAWING	RESTRICTED TO -
SCALE 5:2	SHEET 1 OF 1
REV A3	

Printed on 23 Feb 2021 14:50 (1) from FC001788