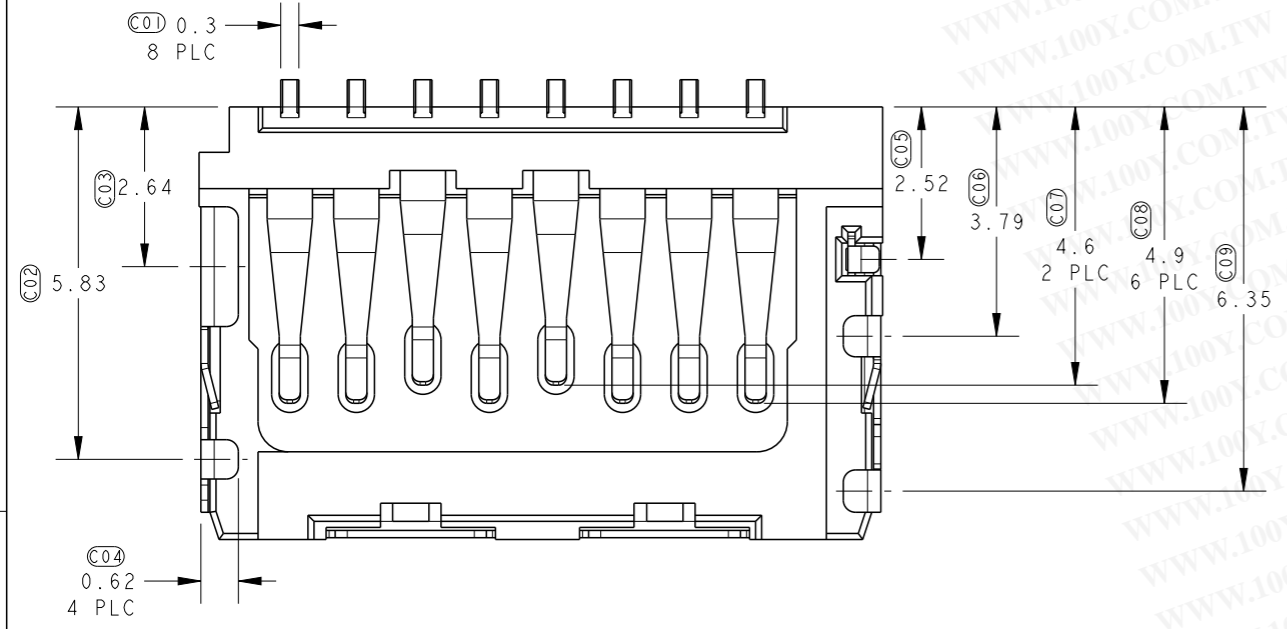
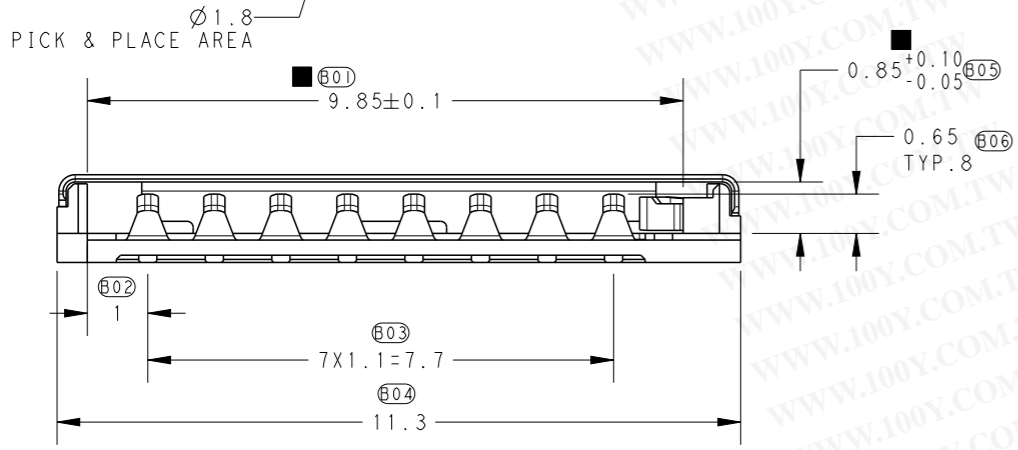
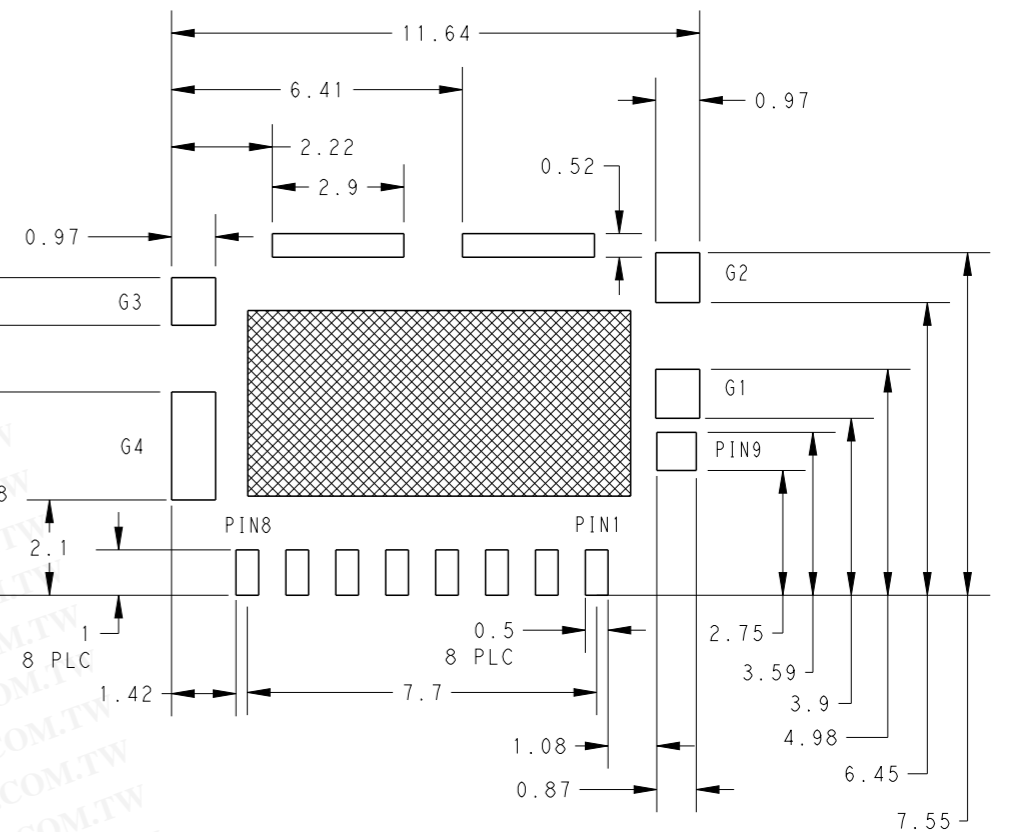
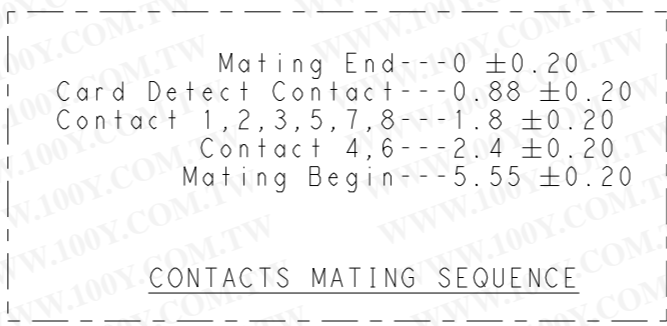
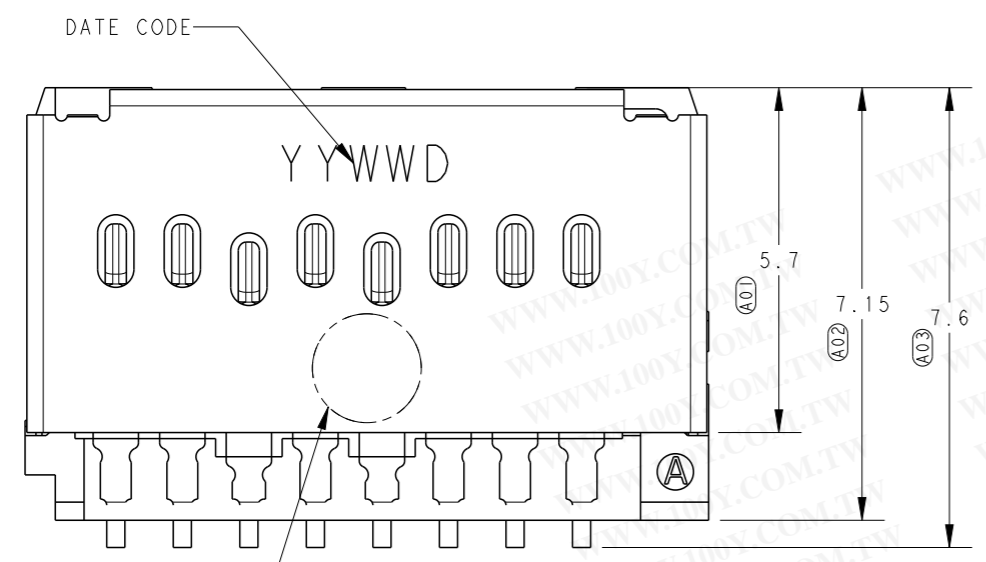


THIS DRAWING IS UNPUBLISHED. RELEASED FOR PUBLICATION 20
 © COPYRIGHT 20 BY - ALL RIGHTS RESERVED.

LOC		DIST		REVISIONS			
P	LTR	DESCRIPTION	DATE	DWN	APVD		
A		INITIAL RELEASE	14JUN2011	D.Z	S.Y		
B		REVISED PER ECR-12-002341	06FEB2012	S.W	S.Y		



勝特力材料 886-3-5753170
 勝特力电子(上海) 86-21-34970699
 勝特力电子(深圳) 86-755-83298787
[Http://www.100y.com.tw](http://www.100y.com.tw)

RECOMMENDED P.C.B. LAYOUT

- (GENERAL TOLERANCE : ±0.05)
 ☒ PATTERN PROHIBITION AREA
- 1 MATERIAL
 HOUSING : LCP UL94V-0
 CONTACT : PHOSPHOR BRONZE
 SWITCH CONTACT : PHOSPHOR BRONZE
 SHELL : STAINLESS STEEL
- 2 FINISH
 CONTACT : Ni PL 0.0013 MIN. ALL OVER
 Au PL 0.0003 MIN. AT CONTACT AREA
 Au FLASH PL 0.00005-0.00013 AT SOLDERING AREA
 SWITCH CONTACT: Ni PL 0.0013 MIN. ALL OVER
 Au PL 0.0003 MIN. AT CONTACT AREA
 Au FLASH PL 0.00005-0.00013 AT SOLDERING AREA
 SHELL : Ni PL 0.0013 MIN. ALL OVER
 Au FLASH PL 0.00005-0.00013 AT SOLDERING AREA
3. COPLANARITY : 0.08MAX.
 4. RECOMMENDED STENCIL THICKNESS 0.1mm MIN.
 ■ : CRITICAL ITEMS.

19327391-1: AS SHOWN

THIS DRAWING IS A CONTROLLED DOCUMENT.		DWN 13MAY2011 DANIEL ZHANG	TE Connectivity	
		CHK 13MAY2011 WENKE HE		
DIMENSIONS: mm		APVD 13MAY2011 STEVEN YAO	NAME MicroSD SOCKET PUSH/PULL, LOW PROFILE TYPE	
TOLERANCES UNLESS OTHERWISE SPECIFIED: ± 0.2		PRODUCT SPEC 108-115017	RESTRICTED TO	
0 PLC ± 1 PLC ±0.5 2 PLC ±0.13 3 PLC ±0.013 4 PLC ±0.0001 ANGLES ±		APPLICATION SPEC -	SIZE A3	CAGE CODE 00779
MATERIAL 1		WEIGHT -	DRAWING NO C-1932739	SCALE 1:1
FINISH 2		CUSTOMER DRAWING	SHEET 1 OF 2	REV B

THIS DRAWING IS UNPUBLISHED.

RELEASED FOR PUBLICATION

20

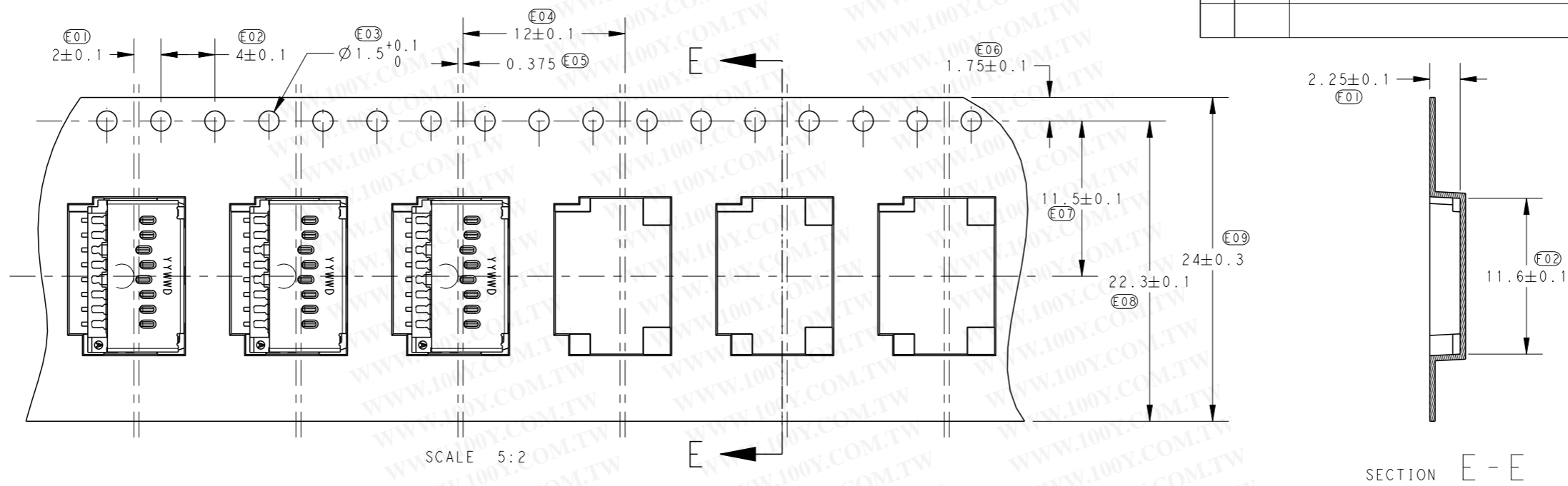
© COPYRIGHT 20 BY -

ALL RIGHTS RESERVED.

LOC	DIST
-	-

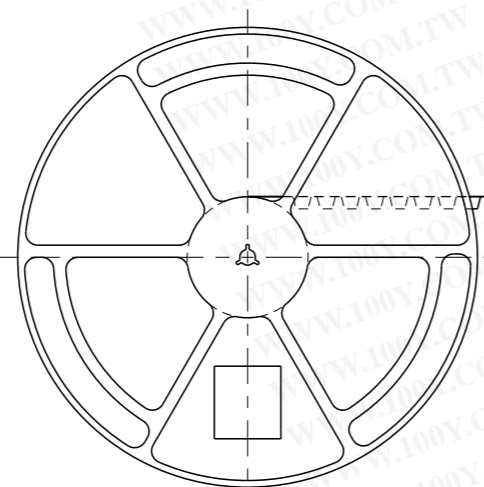
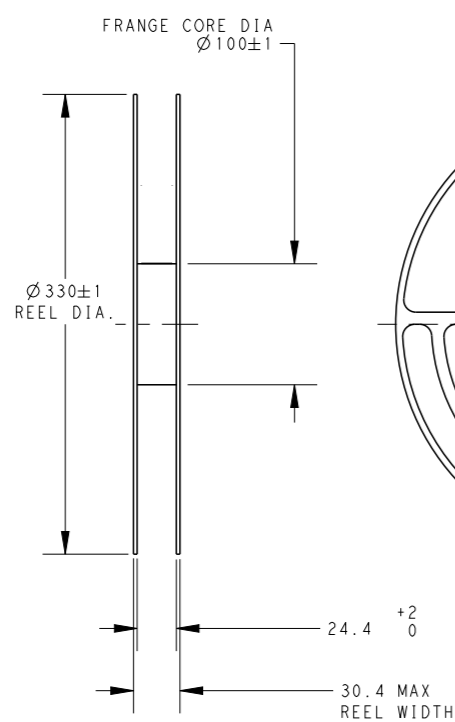
REVISIONS

P	LTR	DESCRIPTION	DATE	DWN	APVD
-	-	SEE SHEET 1	-	-	-



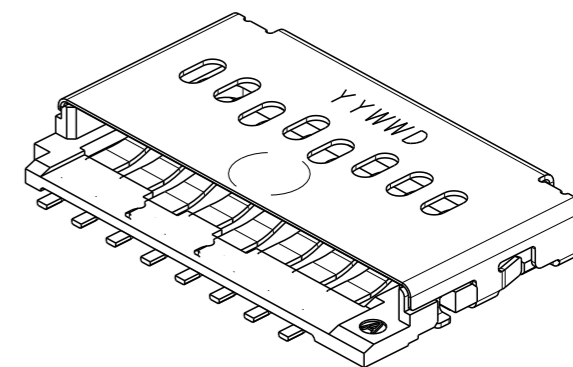
SCALE 5:2

SECTION E-E




300 REF WEEDING THE COVER TAPE.

165°~180° PEELING ANGLE
0.2~1.0N(300mm/min±10%)
PEELING STRENGTH



勝特力材料 886-3-5753170
 勝特力电子(上海) 86-21-34970699
 勝特力电子(深圳) 86-755-83298787
 Http://www.100y.com.tw

THIS DRAWING IS A CONTROLLED DOCUMENT.		DWN 13MAY2011 DANIEL ZHANG	 TE Connectivity	
DIMENSIONS: mm		CHK 13MAY2011 WENKE HE		
TOLERANCES UNLESS OTHERWISE SPECIFIED:		APVD 13MAY2011 STEVEN YAO	NAME MicroSD SOCKET PUSH/PULL, LOW PROFILE TYPE	
0 PLC ±-		PRODUCT SPEC	SIZE CAGE CODE DRAWING NO RESTRICTED TO	
1 PLC ±0.5		APPLICATION SPEC	A300779 C-1932739	
2 PLC ±0.13		WEIGHT	SCALE 1:1 SHEET 2 OF 2 REV B	
3 PLC ±0.013		CUSTOMER DRAWING		
4 PLC ±0.0001				
ANGLES ±-				
FINISH				